

Extruded Aluminum Combination Unit with Pictogram



WARNING:
Risk of Shock.
Disconnect Power before Installation.



IMPORTANT SAFEGUARDS

When using electrical equipment, basic safety precautions should always be followed including the following:

READ AND FOLLOW ALL SAFETY INSTRUCTIONS

1. All servicing should be performed by qualified service personnel.
2. Do not use outdoors.
3. Do not let power supply cords touch hot surfaces.
4. Do not mount near gas or electric heaters.
5. Use caution when handling batteries. Avoid possible shorting.
6. Equipment should be mounted in locations and at heights where it will not readily be subjected to tampering by unauthorized personnel.
7. The use of accessory equipment not recommended by the manufacturer may cause an unsafe condition.
8. Do not use this equipment for other than intended use.

SAVE THESE INSTRUCTIONS

Installation Instructions

1. Turn off AC power.
2. Route AC supply wires into electrical box and leave 15 cm (6") of wire length.
3. Remove power pack cover. Remove face plate from frame by sliding the face plate upwards and pivoting the bottom outwards.
4. Select the appropriate Pictogram panel (see figure 2). Install it into the faceplate by inserting it into the groove of the faceplate behind the clear panel then insert the bottom of the panel into the bottom groove. Insert the opal diffuser behind the pictogram in the same manner.

Wall Mount

- a. Knock out the proper hole pattern in the back plate to mount to the standard junction box (including the large wire hole); place a support on either side of the hole to be removed and knock out with a screwdriver.
- b. Feed AC supply leads through the center hole.
- c. Mount the unit securely to the junction box using the junction box screws (see figure 3).

Canopy - Ceiling or End mount

- a. Determine the desired mounting location of sign.
- b. Remove the proper knockouts in the frame or power pack from the outside with a hammer and screwdriver.

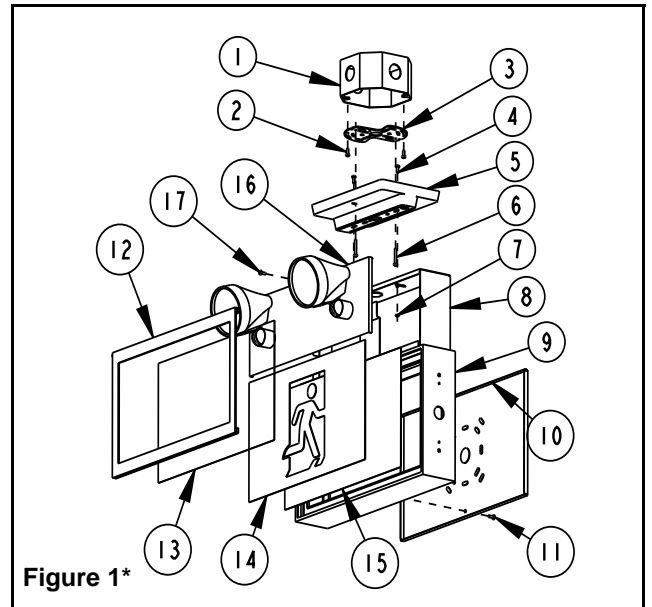


Figure 1*

* FIXTURE LAMPS MAY BE DIFFERENT THAN SHOWN

Part List

- | | |
|--------------------------------------|----------------------------|
| 1. Junction box | 9. Frame |
| 2. Junction box screw (not provided) | 10. Backplate |
| 3. Spider plate | 11. Backplate screw |
| 4. Screw #8-32 x 3/8" (2) | 12. Face plate |
| 5. Canopy | 13. Clear panel |
| 6. Screw #8-32 x 1" (2) | 14. Pictogram panel |
| 7. Keps nuts #8-32 (2) | 15. Opal diffuser |
| 8. Power Pack | 16. Power Pack cover |
| | 17. Power Pack cover screw |

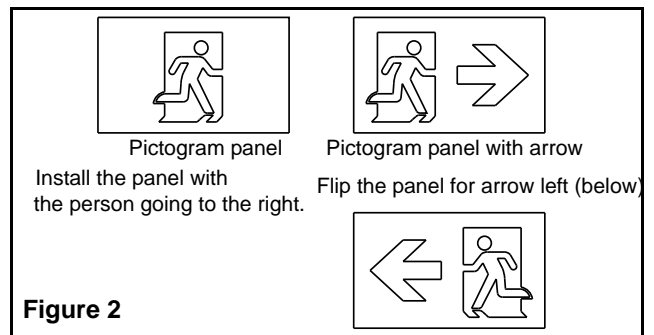


Figure 2

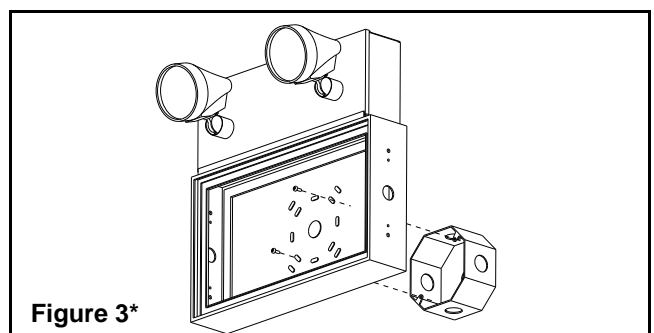


Figure 3*

- c. Route the AC wires from the exit sign through the large knockout. For ceiling mount, make sure backplate is mounted so that the exit face will be facing in the desired direction.
 - d. Fasten the spider plate to the junction box using the junction box screws. Align the two threaded holes in the spider plate to line up with the canopy holes for correct mounting position, end mount or ceiling mount.
 - e. Fasten the canopy to the exit (see figure 4). Knock out the two holes near the wire way. Fasten the canopy-exit assembly to the spider plate using the provided 1" screws.
5. Make the proper connections: the unit accepts an input voltage of 120 or 347 VAC (see figure5).

For 120VAC operations: connect the purple and black wires to AC line voltage (120VAC) and the white wire to neutral.

For 347VAC operations: connect the purple and red wires to AC line voltage (347VAC) and the white to neutral.
 6. Feed excess wire into the junction box.
 7. Connect the green ground wires to the service ground or the ground connection in the junction box.
 8. When ready to energize AC, plug in the battery connector to the circuit board.
 9. Re-install the faceplate with Pictogram panel assembly and power pack cover.
 10. Energize AC power.

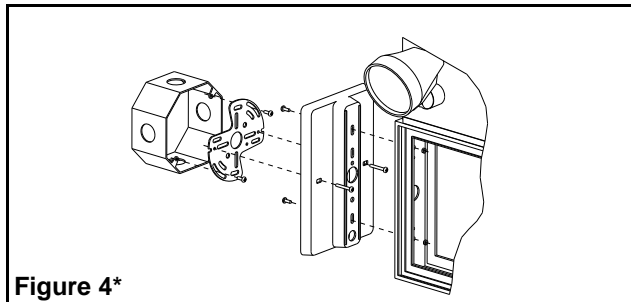


Figure 4*

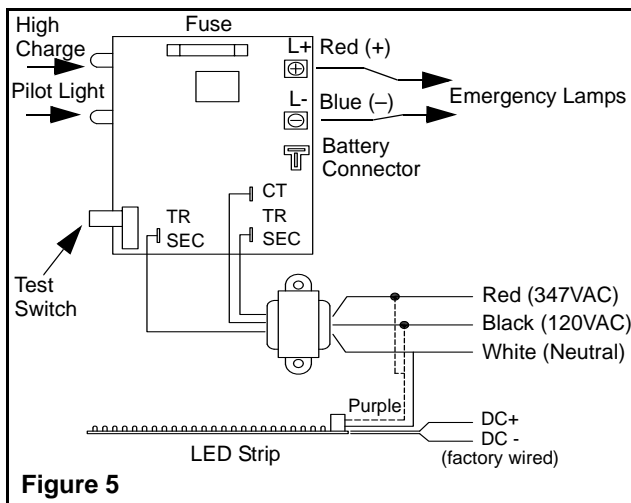


Figure 5

Intentional AC Shutdown

If the AC input power is intentionally turned off for more than 72 hours, disconnect one battery lead to prevent damage to battery. Isolate loose battery lead so that it cannot be inadvertently shorted.

Battery Replacement

A battery has reached the end of its useful life when it cannot light lamps for full time rating despite normal charger operation. To replace battery, first disconnect AC power to unit, open unit, disconnect battery leads, then remove it and install new battery. Make sure the red lead connected to battery positive is also connected to charger positive (+) terminal. After unit has been on charge for 24 hours at nominal AC voltage, check that battery voltage is within limits.

Refer to markings on battery or unit model for correct replacement type.

Lamp Replacement

It is important to replace burned lamp with a new lamp with the same voltage and wattage. Higher wattage will cause battery to discharge faster (less time) or overload relay. Lower wattage may not provide adequate light output.

Testing

Once every 3 months, the unit should be checked and then tested for at least 30 seconds by using the test switch or disconnecting the plug or pulling the fuse or breaker. Before testing, the green pilot light should be "on" and the yellow high charge lamp (when supplied) will "wink on" occasionally. After the power has been restored the high charge light will stay "on" for several minutes then start to "wink" indicating the battery is up to full charge. Once every year the unit should be tested under simulated power failure or electrical fault condition for the time period required by the National Building Code, i.e. 30 min - 1 hr - 2 hrs. After power has been restored, unit will go on high charge for up to 24 hours. If a power failure has occurred recently and the unit worked properly, it is

TYPE:	Location:		Full Test											
Sr. No.:	Endroit:		Essai complet											
Date:	J	F	M	A	M	J	J	A	S	O	N	D		
20														
20														
20														
20														
20														
20														
20														
20														
20														
20														

Figure 6

not necessary to perform the simulated failure. Indicate on the charts (see figure 6) the date of the failures and/or tests performed.

Caution

The battery in this unit will hold charge until the date shown on the carton. After this date, the unit must be plugged in and battery connected to charger for at least 24 hours to recharge battery. Battery shall then be disconnected. Shelf life will then be good for six months before recharging again. If the unit is not placed into service or recharged by the date shown on the carton, warranty will be void. The AC power supply shall be unswitched, otherwise warranty will be void. This unit is designed to operate between 10°C and 30°C (50°F and 86°F). Operating temperatures outside those limits will void warranty.

IMPORTANTES MESURES DE PROTECTION

Lors de l'utilisation de tout équipement électrique, toujours suivre des mesures de sécurité fondamentales, dont les mesures suivantes:

LIRE ET SUIVRE TOUTES LES CONSIGNES DE SÉCURITÉ

1. Ne pas utiliser à l'extérieur.
2. Ne pas laisser les cordons d'alimentation entrer en contact avec des surfaces chaudes.
3. Ne pas installer à proximité de dispositifs de chauffage au gaz ou électriques.
4. Manipuler les batteries avec soin. Éviter toute possibilité de court-circuit.
5. Monter l'équipement dans des endroits et à des hauteurs où celui-ci ne sera pas facilement soumis à des tentatives d'altération par un personnel non autorisé.
6. L'utilisation d'équipement auxiliaire non recommandé par le fabricant risque d'entraîner une condition dangereuse.
7. Ne pas utiliser cet équipement pour un usage autre que celui prévu.
8. Tout entretien doit être effectué par un personnel d'entretien qualifié.

- Instructions d'installation**
1. Couper l'alimentation CA.
 2. Acheminer les fils d'alimentation CA dans la boîte de jonction et laisser une longueur de fil de 15 cm (6 po).
 3. Pour ouvrir l'unité enlever le couvercle de l'unité d'auto-alimentation et pousser la plaque de sortie vers le haut et faire pivoter le bas de la plaque vers l'extérieur de l'enseigne.
 4. Sélectionner le panneau pictogramme approprié (voir figure 2). Installer le en l'insérant dans la rainure de la plaque frontale derrière le panneau clair puis insérer le bas du panneau dans le rainure inférieure. Insérer le diffuseur opale derrière le pictogramme de la même manière.

- Montage mural**
- a. Défoncer les trous apprêtés dans la plaque arrière de l'enseigne pour monter à une boîte de jonction standard; soutenir la plaque avec des morceaux de bois autour des trous à découper. Pousser sur les découpes avec un tournevis (voir figure 3).
 - b. Passer les fils d'alimentation CA par le trou au centre de la plaque arrière.
 - c. Visser la plaque arrière à la boîte de jonction en utilisant les vis de la boîte de jonction.

CONSERVER CES INSTRUCTIONS

Instructions d'installation

1. Couper l'alimentation CA.
2. Acheminer les fils d'alimentation CA dans la boîte de jonction et laisser une longueur de fil de 15 cm (6 po).
3. Pour ouvrir l'unité enlever le couvercle de l'unité d'auto-alimentation et pousser la plaque de sortie vers le haut et faire pivoter le bas de la plaque vers l'extérieur de l'enseigne.
4. Sélectionner le panneau pictogramme approprié (voir figure 2). Installer le en l'insérant dans la rainure de la plaque frontale derrière le panneau clair puis insérer le bas du panneau dans le rainure inférieure. Insérer le diffuseur opale derrière le pictogramme de la même manière.

Unité Combinée en aluminium extrudé avec pictogramme

ATTENTION: Risque de choc. Débrancher l'alimentation avant l'installation.



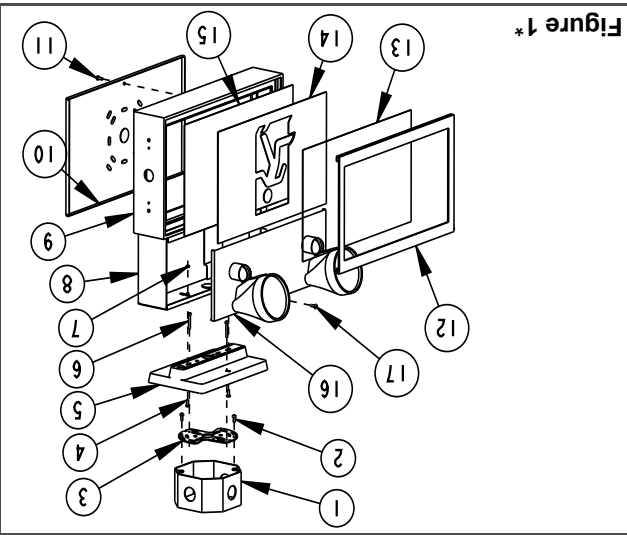




Figure 1*

*LES LAMPES PEUVENT DIFFÉRER DE CE QUI EST ILLUSTRÉ

- Description des pièces**
1. Boîtier
 2. Vis de la boîte de jonction (non fournies)
 3. Plaque de montage
 4. Vis #8-32 x 3/8 po (2)
 5. Pavillon
 6. Vis #8-32 x 1 po (2)
 7. Ecrou à rondelle dentée (2)
 8. Unité d'auto-alimentation
 9. Boîtier
 10. Plaque arrière
 11. Vis de la plaque arrière
 12. Plaque frontale
 13. Panneau clair
 14. Panneau à pictogramme (2)
 15. Diffuseur opale
 16. Couvercle de l'unité d'auto-alimentation
 17. Vis du couvercle

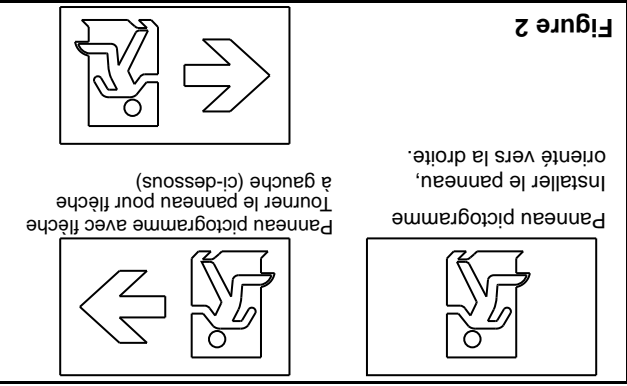


Figure 2

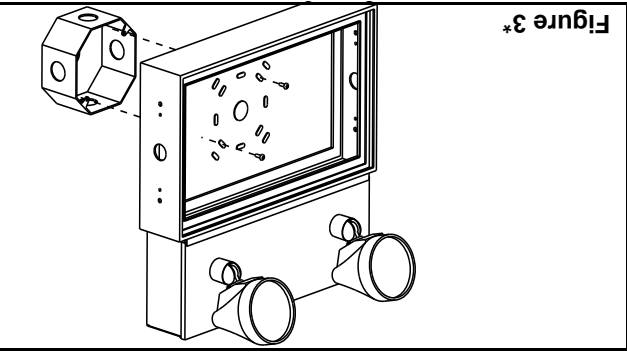


Figure 3*