

**READY-LITE**

**THE COMPLETE CHOICE OF  
EMERGENCY LIGHTING  
PRODUCTS**



**by ABB**



# TABLE OF CONTENTS

Company Profile . . . . . 2-3  
 MR16 LED Emergency Lighting . . . . . 4-5  
 Nexus® System . . . . . 6-7

## EXIT SIGNS

Table of contents. . . . . 9  
 Overview. . . . . 10-11  
 RDE Series . . . . . 12-13  
 RXL3 Series . . . . . 14-15  
 RAE Series . . . . . 16  
 RAEC Series . . . . . 17  
 RD Series . . . . . 18  
 RA Series . . . . . 19  
 RA Triangular Series . . . . . 20  
 CX5000 Series . . . . . 21  
 CS5000 Series . . . . . 22-23  
 RAC Series . . . . . 24-25  
 SM-CX5000 Series . . . . . 26  
 SM-CS5000 Series . . . . . 27  
 RS Series . . . . . 28-29  
 RSC Series . . . . . 30  
 RSC-BLD Series . . . . . 31  
 NEXTN Series . . . . . 32  
 SM-NEXTN Series . . . . . 33  
 CNESTU Series . . . . . 34  
 CNEXTN & CNSXTN Series . . . . . 35  
 R-SN Series . . . . . 36-37  
 RP Series . . . . . 38  
 Ultima™ Exit Series . . . . . 39  
 Ultima™ Combo Picto . . . . . 40-41  
 Ultima™ Combo Series . . . . . 42-43  
 RCS Series . . . . . 44  
 RCSC Series . . . . . 45  
 RN10 Series . . . . . 46  
 RN Series . . . . . 47  
 RNC Series . . . . . 48-49  
 TUF Series . . . . . 50  
 N-TUF Series . . . . . 51  
 RH Series . . . . . 52  
 RHC Series . . . . . 53  
 TUFHZ Series . . . . . 54-55  
 HZ Series . . . . . 56-57  
 RX Series . . . . . 58-59  
 LDX-EXP-P LED Series . . . . . 60-61  
 RFX-EX Series . . . . . 62-63  
 LDX-EXP-E LED Series . . . . . 64-65  
 RFX-CS Series . . . . . 66-67  
 LDX-EXP-S LED Series . . . . . 68-69  
 RT Series . . . . . 70  
 Special Wording . . . . . 71  
 Glossary . . . . . 72

## BATTERY UNITS

Table of contents. . . . . 75  
 Overview. . . . . 76-77  
 Cadilite® Series . . . . . 78-79  
 Invislite™ Series . . . . . 80  
 Mini Invislite™ Series . . . . . 81  
 LDX-VQ Series . . . . . 82-83  
 LDX-T Series . . . . . 84-83  
 LDXA Series . . . . . 86  
 LDXC Series . . . . . 87  
 LDX Series . . . . . 88-89  
 Legend™ DecoCab Series . . . . . 90-91  
 LDX Series High-Performance . . . . . 92-93  
 LDXC-BLD Series . . . . . 94  
 Avenger™ Series . . . . . 95  
 Ultima™ Series . . . . . 96-97  
 Mult Series . . . . . 98-99  
 RCB-HO LED Series . . . . . 100  
 RCSB Series . . . . . 101  
 TUF-NM Series . . . . . 102-103  
 RHP Series . . . . . 104-105  
 RHZ Series . . . . . 106-107  
 LDX-NX Series . . . . . 108-109  
 LDX-HZ Series . . . . . 110-111  
 IPR-LEDN Series . . . . . 112  
 Glossary . . . . . 113

## REMOTE FIXTURES

Table of contents. . . . . 115  
 Overview. . . . . 117  
 Cadilite® Series . . . . . 118-119  
 Guardian™ Series . . . . . 120  
 Invislite™ Series . . . . . 121  
 Mini Invislite™ Series . . . . . 122  
 VQ Series . . . . . 123  
 Legend™ Series . . . . . 124  
 RLR Legend™ Series . . . . . 125  
 RM Series . . . . . 126  
 RP-BLD Series . . . . . 127  
 RCSR Series . . . . . 128  
 RL40M Series . . . . . 129  
 TUF-NM Series . . . . . 130  
 RHPRL Series . . . . . 131  
 NMHZ Series . . . . . 132  
 RHZRL Series . . . . . 133  
 RFX LED Series . . . . . 134-135

## CENTRAL SYSTEMS

Table of contents. . . . . 137  
 Mini-Inverter Series . . . . . 138-139  
 RL-5. . . . . 140-141  
 IPS Single Phase Series . . . . . 142-143  
 IPS Three Phase Series . . . . . 144-145  
 Systems Options . . . . . 146  
 User Interface & Display Functions . . . 147  
 Central System Request Data Form . . . 148

## OPTIONS & ACCESSORIES

Table of contents. . . . . 151  
 Pendant Kits . . . . . 152  
 EZ2™ Canopy . . . . . 153  
 Wire Guards & Mounting Shelves . . 154-155  
 ZCP Series . . . . . 156  
 Nexus® System . . . . . 157

## TECHNICAL INFORMATION

Table of contents. . . . . 159  
 Wire Size Guide . . . . . 160  
 Battery Unit Capacity Chart . . . . . 161  
 Electrical Code . . . . . 162-163  
 Building Code . . . . . 164-167  
 Fire Code . . . . . 168  
 Generator Room . . . . . 169  
 Product Index . . . . . 170

**n** = new product

# COMPANY PROFILE



*Bringing peace of mind through reliable safety solutions.*



As a part of ABB, our emergency lighting products and services are specifically designed to provide the utmost protection and safety. We are continuously enhancing our products to meet the evolving needs of our customers by investing in the latest manufacturing technologies as well as developing solutions that maximize efficiency and customer satisfaction. We have also invested in IoT platforms for our emergency lighting that will build a foundation for our future ecosystems taking building safety to the next level.

## EMERGENCY LIGHTING EXPERTS

Our mechanical, electrical and software engineering teams work together to create unparalleled products through research and innovation. The entire operations team is centralized for maximum collaboration from initial design to final assembly and testing.

## PRODUCT RELIABILITY AND EFFICIENCY

Quality, safety, ease of installation, and long-term reliability are designed into each product. Our products go through rigorous testing while meeting quality and performance standards at every step of the process from design to production to fulfillment.

## MANUFACTURING CENTER OF EXCELLENCE

Most of our life safety equipment is designed, manufactured and distributed from our North American facility located in Montreal, Quebec. With over 150 people on our manufacturing team, we have complete control over lead time, service, and quality.





# COMPANY PROFILE

## FAST DELIVERY

No need to wait for a large production run or overseas shipment, we produce each product in-house. Our manufacturing capabilities include plastic components, metal binding, circuit boards, and final assembly, including small inverters. We produce precisely what we need without waiting for a large production run or overseas shipment.



## ALWAYS AT YOUR SERVICE

Our customer service team is dedicated to ensuring satisfaction. With comprehensive engineering, manufacturing, and testing resources available at our Center of Excellence, we are committed to providing solutions.

Since 2001, the Ready-Lite® manufacturing facility has been ISO 9001 compliant.



# HIGH OUTPUT MR16 LED

Emergency lighting

## MR16 LED ILLUMINATION

Light-emitting diode (LED) is becoming the preferred solution in lighting applications. The emergency lighting industry is no exception. Today, virtually every new product introduced to the market includes "white light" LEDs for emergency illumination. Extremely efficient and long-lasting, LED lamps become natural alternatives to incandescent lamps due to three main advantages:

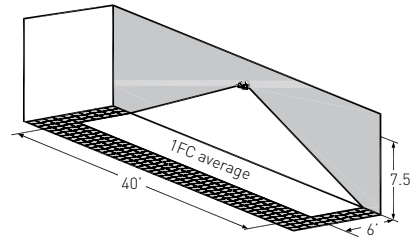
- Lamp efficacy: 50–100 lumens per watt compared to 15–30 lumens per watt of the best halogen lamp. Allowing for smaller batteries and units and/or remote capacity
- Operational life: 30,000+ hours, equivalent to a lifetime warranty in emergency lighting.
- Lower lamp temperature: 80–120°C (176–248°F) is a huge benefit for lighting in hazardous locations.

## MR16 LED LAMP BENEFITS

- CSA C22.2 No. 141 certified.
- Reduces total cost of ownership, uses fewer fixtures due to superior illumination, thus reducing installations costs and future maintenance of the entire system.
- UL-recognized components.
- Available for standard battery voltages 6V, 12V, and 24V as well as 120V operation.
- Energy-efficient LED MR16 lamp provides equivalent lighting performance to a much higher watt halogen MR16 lamp.
- Reduces required battery capacity by 75%, for battery units and remote heads.
- Small profile, compact white lighting is ideal for architectural applications.
- Vibration-resistant LED stands up to industrial environments.
- Ideal for indoor and outdoor use.

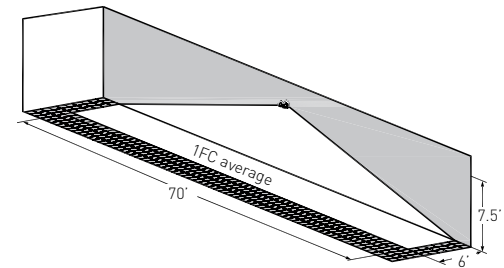
## 200-220-LUMEN 4W MR16 LED

Leading the technology trend, we offer a complete series of 4W MR16 LED lamps available for all the standard battery voltages: 6V, 12V, 24V and 120V. With a luminous flux of typically 200 to 220 lumens, they are available with most emergency heads designed to hold an MR16 lamp and meet the majority of illumination specifications.



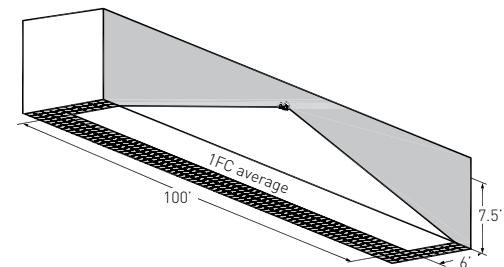
## 340-LUMEN 5W MR16 LED

Keeping pace with technology, in 2012 we introduced a 12V-5W MR16 LED lamp. With a typical luminous flux of 340 lumens, the 12V-5W MR16 LED lamp has the same lighting performance as a 20W high-output halogen MR16. A twin emergency head installed at a height of 7.5ft illuminates 70ft path of egress 70 ft.



## 540-590 LUMEN 6W MR16 LED

A 6W MR16 LED lamp delivers up to 590 lumens for an average spacing in emergency lighting of 106 feet with an efficacy of 98.3 Lm/w, it is over 6 times the efficacy of an MR16 35W halogen with a similar light output. This lamp can deliver the highest linear foot of illumination per watt on a path of egress (spacing in ft/watt) 8.83ft compared to 1.37ft for an MR16 35W.



## CASE STUDY: FEWER MR16 LED UNITS REQUIRED

Emergency lighting units with MR16 LED lamps provide the same illumination at floor level using significantly fewer units.

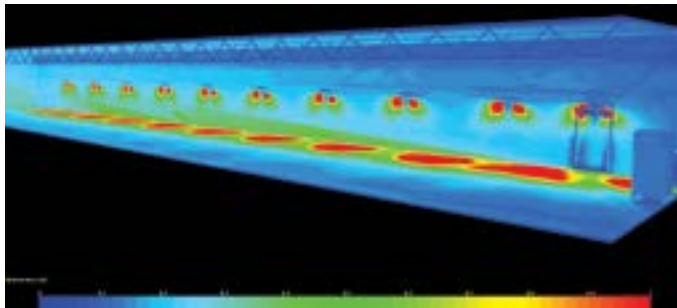
- Reduced installation costs due to reduced product and labour requirements.
- Reduced energy costs keeping fewer batteries charged at full capacity to be ready to respond to an emergency at any time.
- Reduced maintenance and testing costs with fewer units to maintain and test in the Emergency Lighting System.
- Reduced lamp replacement costs as LED lamps have a 30,000+ hour lamp life compared to only a few hundred hours typical with incandescent lamps.
- Reduced Environmental Impact, fewer product materials, fewer batteries, less transportation, less packaging, less labour and less waste.

## COMPARE

Where the building code requires a minimum of 1 foot-candle and a minimum of 0.1 foot-candle at floor level along the path of egress on a 150' x 9' x 9' corridor with an egress door at one end, a 150' x 6' path of egress, and a 7.5' unit mounting height.

# HIGH OUTPUT MR16 LED

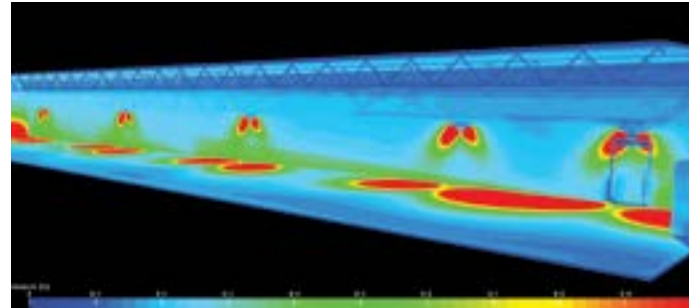
Emergency lighting



### 4W MR16 LED LAMPS

Same standard emergency lighting units 4W MR16 LED lamps

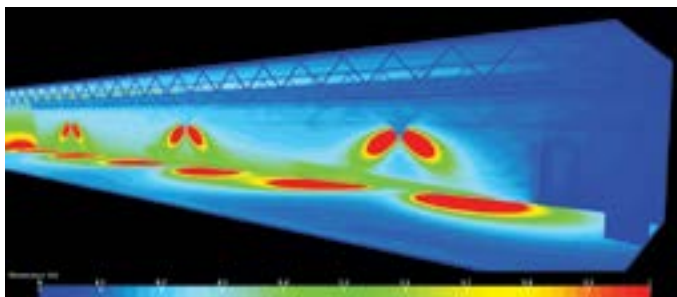
LAMP SUFFIX	VOLTAGE	WATTAGE	LUMENS
LD1	6	4	200
LD7	12	4	200
LD13	24	4	200
LD25	120	4	235
LD26	120	4	204



### 5W MR16 LED LAMPS

Same standard emergency lighting units 5W MR16 LED lamps

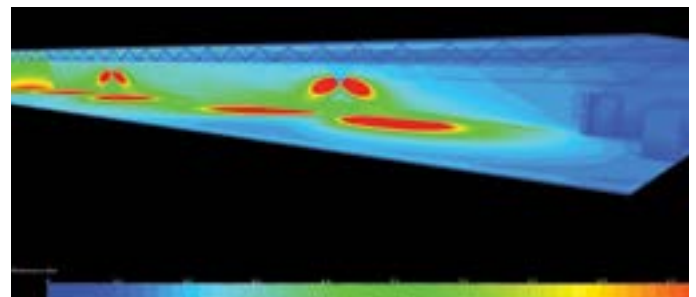
LAMP SUFFIX	VOLTAGE	WATTAGE	LUMENS
LD2	6	5	415
LD9	12	5	340



### 6W MR16 LED LAMPS

Same standard emergency lighting units 6W MR16 LED lamps

LAMP SUFFIX	VOLTAGE	WATTAGE	LUMENS
LD10	12	6	540
LD14	24	6	590



### 6W, 10W AND 15W MR16 LED LAMPS

Same standard emergency lighting units 6W, 10W and 15W MR16 LED lamps

LAMP SUFFIX	VOLTAGE	WATTAGE	LUMENS
L6	12, 24	6	565
L10	12, 24	10	1030
L15	12, 24	15	1320

# NEXUS® SYSTEM

Wireless Emergency Lighting  
Monitoring System

## ARE YOU PREPARED FOR AN EMERGENCY?

As with most safety equipment, emergency lighting is not fully appreciated until they are needed. In the interest of public safety, it is imperative to routinely monitor and test emergency lighting to ensure they are fully functional and provide adequate lighting to illuminate the path of egress and guidance to safety. Building owners or managers must meet the outlined requirements for exit signs and emergency lighting equipment, including the following:

- Conduct a functional test every month.
- Conduct functional tests annually.
- Keep a logbook of maintenance information.

Complying with these requirements can be labor-intensive and costly, especially in large buildings where every emergency fixture needs to be tested manually.

## MANAGE TESTING WITH NEXUS® TO SAVE TIME AND COSTS

Nexus is a real-time monitoring system that manages the status of your entire emergency lighting system from a central control unit. Nexus runs diagnostics, performs required monthly and annual functional tests, generate maintenance logs and runs compliance reports. Available in wired or wireless versions, Nexus helps increase system reliability and performance while reducing the risk of failed inspections. With Nexus, monthly tests and reports on the status of all emergency lights can be done individually or in groups.

## MAXIMIZE SYSTEM AVAILABILITY

By allowing maintenance personnel to easily maintain and monitor an emergency lighting system without having to manually check each unit, Nexus reduces the hours required to disrupt the power supply for inspections. Nexus also saves time and operational costs by indicating the location of a faulty unit and reports it instantly without requiring a manual search.





## UPDATE STATUS INSTANTLY

Nexus works by communicating with the emergency units and a centrally located controller. Messages are passed between the unit and the controller to instruct them to perform all mandatory testing and for continuous monitoring.

Nexus is supported by a 5-year warranty and can contribute to LEED certification and support green building initiatives.



# NEXUS® SYSTEM

Wireless Emergency Lighting  
Monitoring System

## SMALL SYSTEM EXAMPLE

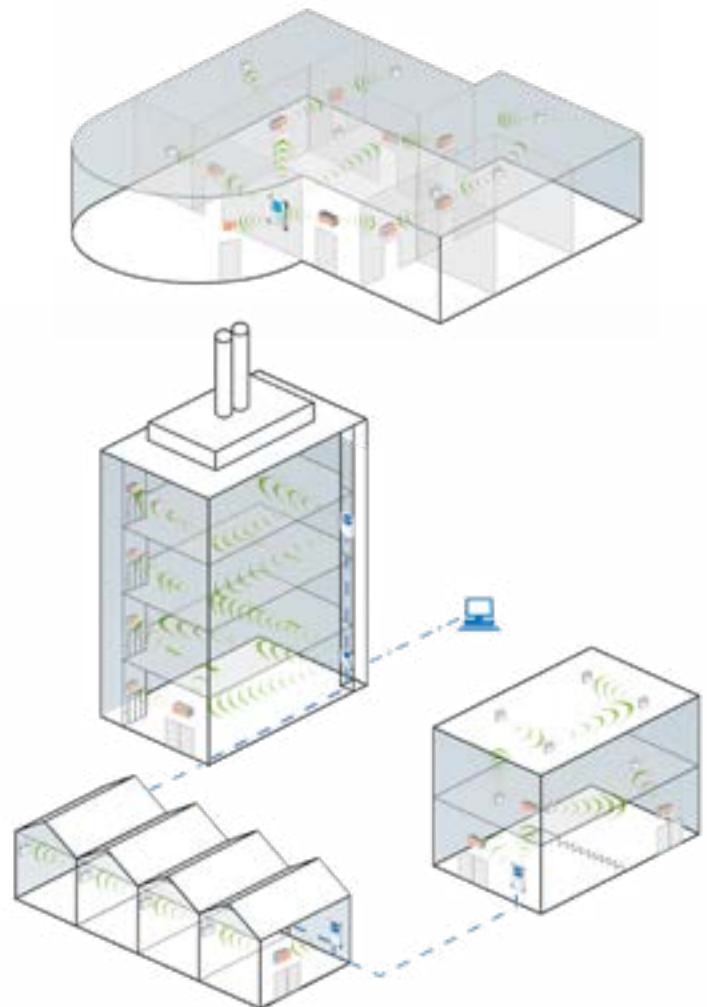
In a system with 100 units or less, it is likely that the only hardware required, besides emergency units, is a controller. All communication would occur wirelessly, and installation is as easy in a non-monitored system.

Building sizing does not restrict Nexus. The systems flexibility enables different configurations and layouts to be built based on customer needs without a problem as each unit needs to be able to communicate with its neighbouring units and does not need to communicate directly with the controller.

## LARGE SYSTEM EXAMPLE

The Nexus RF system has been designed to be extremely flexible and provides for a range of system options. Each large site will need to be assessed for the best system solution with the assistance of ABB technical staff. The basic Nexus RF system is designed to run on an Ethernet network which is present in most modern buildings.

Site performance will be optimized through the careful selection and router placement to form efficient clusters. Building layout and materials will also play some role in determining the best solution to deliver a highly effective means of testing and maintenance requirements.



# EXIT SIGNS



# TABLE OF CONTENTS

					
OVERVIEW P. 10-11	RDE P.12-13	RXL3 P. 14-15	RAE P. 16	RAEC SERIES P. 17	RD P. 18
					
RA P. 19	RA TRIANGULAR P. 20	CX5000 P. 21	CS5000 P. 22-23	RAC P. 24-25	SM-CX5000 P. 26
					
SM-CS5000 P. 27	RS P. 28-29	RSC P. 30	RSC-BLD P. 31 	NEXTN P. 32 	SM-NEXTN P. 33
					
CNESTU P. 34	CNEXTN/CNSXTN P. 35	R-SN P. 36-37	RP P. 38	ULTIMA™ P. 39	ULTIMA™ COMBO PICTO P. 40-41
					
ULTIMA™ COMBO EXIT P. 42-43	RCS P. 44	RCSC P. 45	RN10 P. 46	RN P. 47	RNC P. 48-49
					
TUF P. 50	N-TUF P. 51	RH P. 52	RHC P. 53	TUFHZ P. 54-55	HZ P. 56-57
					
RX P. 58-59	LDX-EXP-P P. 60-61 	RFX-EX P. 62-63	LDX-EXP-E P. 64-65 	RFX-CS P. 66-67	LDX-EXP-S P. 68-69 
					
RT SERIES P. 70 	SPECIAL WORDING P. 71	GLOSSARY P. 72			

 = new product

# EXIT SIGNS OVERVIEW

## & PICTOGRAM

### EXIT & PICTOGRAM SIGNS OVERVIEW

Electrical Signs (connected to a source of power) differ from battery units as they must always be illuminated during normal AC operation, and not only upon loss of AC power. This has a direct impact on the acceptable energy consumption referenced in government regulations (National Resources Canada NRCan, CSA C22.2 No. 141), which is a maximum of 5W per legend single or double face.

A legend is defined as a single word, either “SORTIE” or “EXIT” or “PICTOGRAM” There are also bilingual Exit Signs with: “SORTIE EXIT” or “EXIT SORTIE”, quite common in applications such as airports or federal buildings. A bilingual Exit Sign is acceptable up to a maximum of 10W. The legend must also meet visibility standards including dimensions, average brightness, uniformity, background contrast ratio. The most popular light source is based upon solid-state LED technology, which is capable of meeting both lumen output and energy efficiency requirements.

### BACK-LIT AND EDGE-LIT EXIT SIGNS

Two different methods are used to illuminate the legend. The most common is found in back-lit signs, which use a light source located behind the legend, illuminated through a diffuser panel. The other method uses a clear, white or mirrored acrylic face panel on which the legend is etched or silkscreened. The light source is installed in the top portion of the panel. Light is transmitted from the top edge of the panel, which is where the “Edge-Lit” Sign gets its name from. In general, back-lit Signs are more economical and provide a more uniform illumination of the legend. On the other hand, acrylic Edge-Lit Signs are considered more high-end, elegant fixtures.

### BATTERY, REMOTE, AC AND OTHER POWER SOURCES

Three types of fixtures are available for emergency lighting applications. The first type is the Self-Powered Sign, with a rechargeable battery for emergency mode operation. Next is the Remote Sign or AC/DC Sign: in addition to a normal AC power supply, it includes a DC input (6VDC, 12VDC, etc.) for remote power supplied by a separate battery backup. Installation of such Signs requires DC wiring between both fixtures. Finally, the AC-only Signs are for applications where emergency power is supplied from an AC Central System. A variation on Sign design uses photo-luminescent materials for the legend (letters and/or background).

**According to the National Building Code, photo-luminescent Signs must be continuously illuminated by a dedicated light source connected to an emergency power supply.**

In addition to electrical Signs, there are power free, self-luminous signs that incorporate radioactive materials such as tritium gas as a light source. Their brightness level is very low, which is 2-3% of the minimum level required for an electrical sign. However, they are safer and easier to install in hazardous/explosion-proof environments such as coal mines, natural gas installations, etc. As these signs are not electrical signs, they are not subject to CSA standards such as C22.2 No. 141.

### COMBINATION UNITS

The combination unit or “combo”, includes both a small battery-powered Emergency Lighting unit and an AC/DC Sign. An economical and easy to install alternative (installs to a single electrical box), the combo offers both a Sign indicating the direction of egress as well as emergency lighting on the path of egress.

### EXPLOSION-PROOF ENVIRONMENT SIGNS

The CSA C860 standard applies to all Signs, and in all applications with no exceptions. Compliance is required in all cases, even if a solution may be hard to find. For example, equipment for use in hazardous locations, such as areas classified under Class I, Division 1 (or Class I, Zones 0 and 1), defined as locations where flammable gases, vapors or liquids are present frequently or under normal operating conditions.

Required luminaires are designed specifically to meet CSA standards for explosion-proof equipment. Heavy-duty luminaires are rated for lamp wattages ranging from 50-250W. Constructed of Die-Cast aluminum, the units feature a resistant prismatic glass globe providing hemispherical light distribution. Until now, because of these characteristics, traditional Signs were using 15-25W incandescent lamps to provide sufficient illumination of the legend. Conversely, an LED Sign is typically rectangular and relatively thin (4-8cm) with an axial light source consisting of a line of LEDs to provide indirect illumination of the legend through multiple reflections. So, how is it possible to develop an LED Sign that meets NRCan/C22.2 No. 141 using a bulky heavy-duty luminaire dedicated to hazardous locations Class I, Division 1?



---

We developed a special LED lamp series that is easy to install in the lamp base of explosion-proof type luminaires. This special LED lamp consumes less than 5W in either AC or DC of high-performance LEDs configured in a unique pattern. Horizontal distribution is 360 degrees radially and vertical distribution is directly focused on the sign legend.

This innovative design meets the visibility criteria on standard size legends while limiting power consumption to between 3 to 4.7W per sign.

LED lamps are dedicated to various voltage ratings: 6V, 12V, 24V or 120V and operate on DC and AC, supplying power to the Sign from emergency lighting unit equipment or central AC or DC systems. Lamps are listed/certified CSA C-US to CSA T.I.L. B-69 and UL1993 standards for LED technology-based lamps or lamps with integral ballast. This further reinforces the assurance of performance and safety of the Signs using these lamps. The new Sign series includes fixtures designed for installation in all hazardous location classifications: Class I Divisions 1 and 2, Groups A, B, C, and D; Class II Divisions 1 and 2, Groups E, F, and G; Class III Divisions 1 and 2. Those specialized in industrial lighting can rest assured that they can specify certified hazardous location equipment also approved and compliant with NRCan/CSA C22.2 No. 141 standards. The new technology also significantly improves the maintained light output of the LED by utilizing materials that operate at lower temperatures than the previous generation of LEDs.

## WHITE LEDS

Following the requirements of the National Building Code, the new generation of exit signs has replaced the text legend (EXIT, SORTIE) with a pictogram legend featuring a green running silhouette on a white illuminated background. Consequently, the legend is now illuminated by white LEDs, which replace the traditional monochrome red or green LEDs.

White LEDs are increasingly being used in the lighting industry. Their operational life is defined by industry standards like LM80, as the time elapsed until the LED luminous flux decreases to 70% of the initial value (life definition: L70). Following the minimum requirements of the LM80 standard, LED manufacturers usually test their products for 6,000 hours (little longer than 8 months) and then predict the total operational life based on statistical methods and extrapolation. The LED chip is based on a compound of three elements: Indium, Gallium, and Nitrogen (InGaN) and generates a monochrome light wave of royal-blue color. The white light emission is obtained by covering the chip with a layer containing mainly phosphor and three other elements: Yttrium, Aluminum, and Garnet

---

silicate minerals (YAG). The InGaN-YAG technology has an estimated operational life of minimum of 50,000 hours before the light output decreases to 70% of the initial level.

Furthermore, the LEDs are powered by an ABB patented electronic circuit for constant direct current (CDC), specially designed to drive the LEDs for extended operational life.

To validate the design: in-house LED life tests commenced early in 2009, one year ahead of the adoption of the pictogram exit sign by the National Building Code. Data collected for 45,000 hours (five years+) of continuous operation indicate that LED light depreciation is less than 5% of the initial levels in 2009. This enables us to raise the statistical prediction of our LED life to at least 90,000 hours (over 10 years) of continuous operation to the L70 level.

The outstanding test results with the InGaN-YAG technology and patented LED drivers have allowed us to manufacture pictogram signs with maintained lighting performance. By design, the initial luminance levels of the legend exceed by 50% to 100% the minimum requirements of standard CSA C22.2 No.141-15. So, even after 10 years of continuous use, the projected luminance levels of the pictogram legend will still be compliant with the CSA standard of visibility.



## RDE SERIES

Die-Cast Aluminum  
Pictogram Exit Edge-Lit Sign

### FEATURES

- Self-Powered models provide minimum 120 minutes of emergency lighting
- Die-Cast aluminum construction
- Modular design offers great choice of architectural profiles
- Universal Die-Cast back-box for surface or semi-recessed mounting on ceilings or walls
- LED strip module can be rotated in the unit for either wall or ceiling mount
- Flat Die-Cast trim plate and galvanized steel back-box for recessed ceiling mount
- Clear acrylic panel with pictogram legend
- White LED light source
- Universal AC input: two-wire 120 to 347VAC; universal DC input: two-wire 6 to 24VDC
- Energy efficient – consumes less than 2.5W in AC and DC-remote modes
- Meets or exceeds CSA 22.2 No.141-15
- Special wording available (CSA C22.2 No. 250.0)

### TYPICAL SPECIFICATIONS

Supply and install the **Ready-Lite® RDE Series** of Die-Cast pictogram Edge-Lit signs.

When specified for surface mount, the unit shall come standard with a trim plate, trim ring, back box and canopy made of Die-Cast aluminum with \_\_\_\_\_ finish. The trim plate shall have a \_\_\_\_\_ profile and allow for wall- or ceiling-mount installation. The trim ring shall allow for semi-recessed installation in walls or ceilings with cavity. The canopy shall allow for wall, end, or ceiling mount.

When specified for recessed ceiling-mount, the unit shall come standard with a flat trim plate of Die-Cast aluminum with \_\_\_\_\_ finish, a back box of galvanized steel, and a hardware kit for back box installation between ceiling joists. The back box shall be provided with conduit knock-outs at the top, back and end.

All Edge-Lit units shall have the trim plate snap and lock in the housing with torsion spring retainers, thereby eliminating any visible screws or hardware. The legend shall be printed on a clear acrylic panel. The light source shall be long-life white light-emitting diodes (LED) and shall provide even illumination in normal and emergency operation. The Edge-Lit sign shall operate with universal 2-wire AC input voltage of 120 to 347VAC at less than 2.5W and universal 2-wire DC input voltage from 6 to 24VDC at less than 2.5W. The Edge-Lit sign in a Self-Powered configuration shall use a sealed Nickel-Cadmium battery of 2.4V nominal voltage and shall stay illuminated during emergency operation for at least two hours upon AC failure.

When specified, the Self-Powered unit shall include non-audible auto-test functions, managed by a micro-controller: it shall execute automatic tests for 5 minutes every 30 days, 30 minutes every 60 days and two hours annually. When a fault is detected a red flashing LED shall identify the failure type: battery, charger circuitry, or LED lamps.

The Edge-Lit sign shall be listed CSA 22.2 No.141-15.

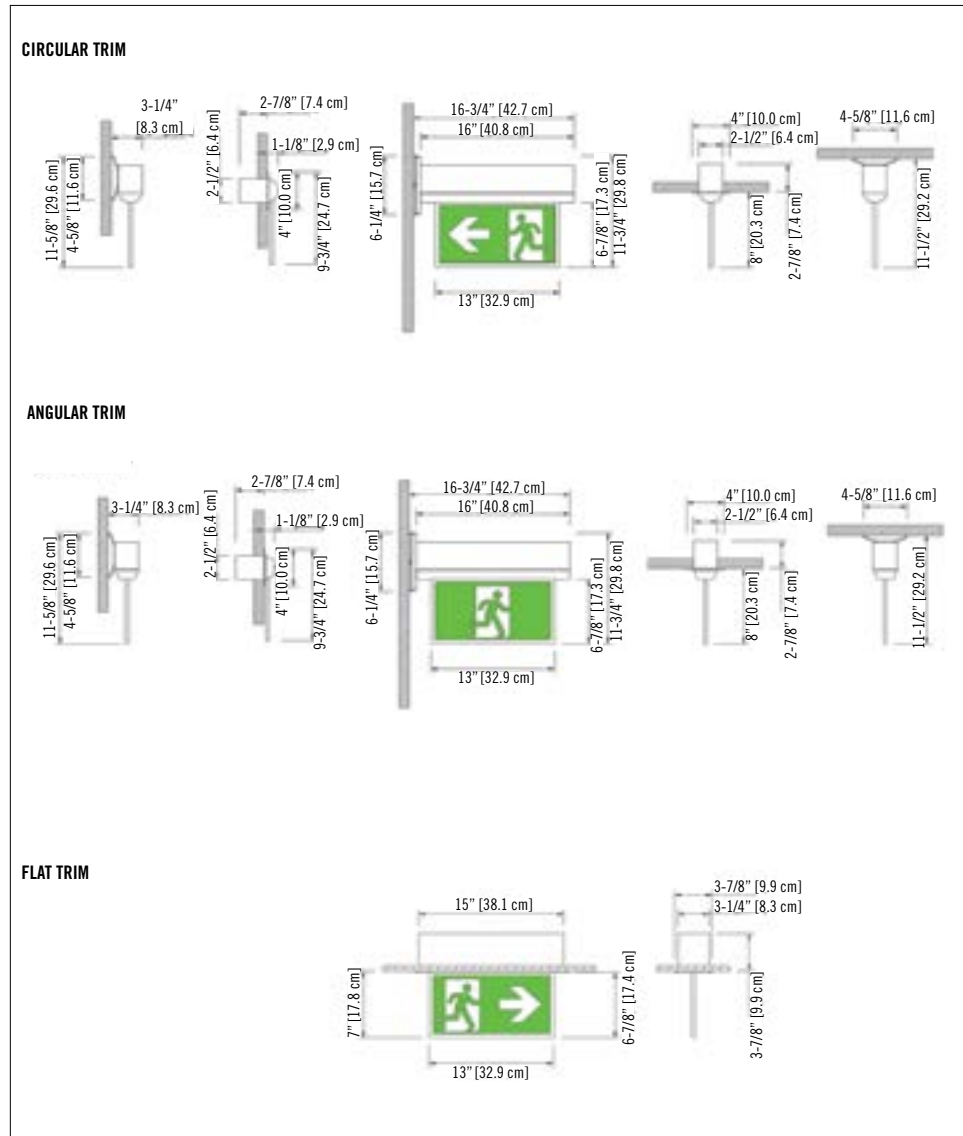
The equipment shall be **Ready-Lite®** Model: \_\_\_\_\_.

### POWER CONSUMPTION

MODEL	AC SPECS		DC SPECS	
AC-only	120 to 347VAC	less than 2.5W	-	-
AC/DC standard	120 to 347VAC	less than 2.5W	6 to 24VDC	less than 2.5W
Self-Powered	120 to 347VAC	less than 3.5W	nickel-cadmium battery	minimum 2 hours
Self-Powered diagnostic	120/347VAC	less than 3.5W	nickel-cadmium battery	minimum 2 hours

## DIMENSIONS

Dimensions are approximate and subject to change.



## RDE SERIES

Die-Cast Aluminum  
Pictogram Exit Edge-Lit Sign

## ORDERING INFORMATION

SERIES	FACES/ARROW	HOUSING COLOUR	TRIM	VOLTAGE	OPTIONS
RDE= die-cast edge-lit pictogram exit sign	<p>1= single face, no arrows</p> <p>A= double face, arrow left or right</p> <p>L= arrow left, single face</p> <p>O= special wording</p> <p>R= arrow right, single face</p> <p>_U9= arrow Up<sup>1</sup></p> <p>_D9= arrow Down<sup>1</sup></p> <p>_U4= arrow Up 45°<sup>1</sup></p> <p>_D4= arrow Down 45°<sup>1</sup></p>	<p>A= brushed aluminum</p> <p>B= black</p> <p>C= chrome</p> <p>P= polished brass</p> <p>W= factory white</p> <p>Z= bronze</p>	<p>A= angular</p> <p>C= circular</p> <p>F= flat (fully recessed)</p>	<p>AC= AC only, 120 to 347VAC</p> <p>DC= 120 to 347VAC, 6 to 24VDC</p> <p>NEX= NEXUS® system interface<sup>1</sup></p> <p>NEXRF= wireless NEXUS® system interface<sup>1</sup></p> <p>SD= Self-Powered diagnostic (non-audible), 120/347VAC</p> <p>SD2= Self-Powered diagnostic (non-audible), 120/277VAC</p> <p>SP= Self-Powered, 120 to 347VAC</p> <p>U48= 120 to 347VAC, 48VDC</p>	<p>LP= panel shipped separately</p> <p>X= backbox shipped separately</p>
	<sup>1</sup> Indicate 1 or 2 faces			<p><sup>1</sup> Not all options available with NEXUS® System. Please consult your sales representative</p>	

EXAMPLE: RDE1ACSP

Unlike EXIT signs, the pictogram sign is not available in double arrow configurations.



# RXL3 SERIES

## Die-Cast Edge-Lit Exit Sign

### FEATURES

- Die-Cast aluminum construction
- Modular design for universal mounting
- Trim plate choices: angular or circular for universal mounting and flat (recessed ceiling)
- Component-free back-box housing and canopy can be installed in advance, like a regular junction box.
- LED strip module can be rotated in the unit for either wall or ceiling mount
- Also available with white LEDs for custom-design, and special wording signs (ask our sales representatives)
- U-shaped clear acrylic panel with laser-etched contour for legend letters
- Long-life LED light source; red LEDs of **ALINGAP** technology
- Bi-colour LED pilot light allows visual diagnostic without need to open the unit (self-test and diagnostic option)
- Two-wire universal AC input: 120 to 347VAC 50/60Hz
- Sealed, maintenance-free Nickel-Cadmium battery
- Meets or exceeds CSA 22.2 No.141-15

### TYPICAL SPECIFICATIONS

Supply and install the **Ready-Lite® RXL3 Series** of Die-Cast Edge-Lit Exit Signs.

The unit specified for universal mounting shall come standard with a trim plate, trim ring, back box and canopy all made of die-cast aluminum with \_\_\_\_\_ finish. The trim plate shall have a \_\_\_\_\_ profile and allow for wall- or ceiling-mount installation. The trim ring shall allow for recessed installation in walls or ceilings with cavity. The canopy shall allow for wall, end, or ceiling mount. The back box shall be provided with conduit knock-outs at the top, back and end.

The unit specified for recessed ceiling shall come standard with a flat trim plate of Die-Cast aluminum with \_\_\_\_\_ finish, and a back box of 20-gauge galvanized steel. The back box shall be provided with conduit knock-outs at the top, back and end. All models shall be provided with a hardware kit including two 27" adjustable bar hangers for back box recessed installation.

The unit shall have the trim plate snap and lock in the housing with torsion spring retainers, thereby eliminating any visible screws or hardware. The legend shall be printed on a clear acrylic panel. The panel shall have a U-shape and the legend shall have precision etched 6" high and 3/4" stroke red letters with laser-edged contour and with a white, clear or mirror background. The light source shall be long-life light-emitting diodes (LED) and shall provide even illumination in normal and emergency operation. Red LED technology shall be **ALINGAP**. The unit shall operate with two-wire universal AC input voltage from 120 to 347VAC and two-wire universal DC input from 6 to 24VDC, each input at less than 1.4W.

The Edge-Lit sign in a Self-Powered configuration shall use a sealed Nickel-Cadmium battery and shall stay illuminated during emergency operation for at least 90 minutes upon AC failure.

The Self-Powered unit with self-test and silent diagnostic functions shall be managed by a micro-controller: it shall execute automatic tests for one minute every 30 days, 30 minutes every 60 days and 90 minutes annually. A diagnostic circuit shall continuously monitor the performance of the battery, charger module and LED lamps. When a fault is detected the pilot light shall change colour from green to red and flash with a specific code. The red light is steady-on in case of battery disconnect; it will flash with one blink for battery failure, two blinks for charger failure and four blinks for LED lamp failure. A label with the diagnostic legend shall be visible next to the pilot light.

The Edge-Lit sign shall be certified CSA C22.2 No.141 and CSA-C860.

The Exit Sign shall be **Ready-Lite®** Model: \_\_\_\_\_

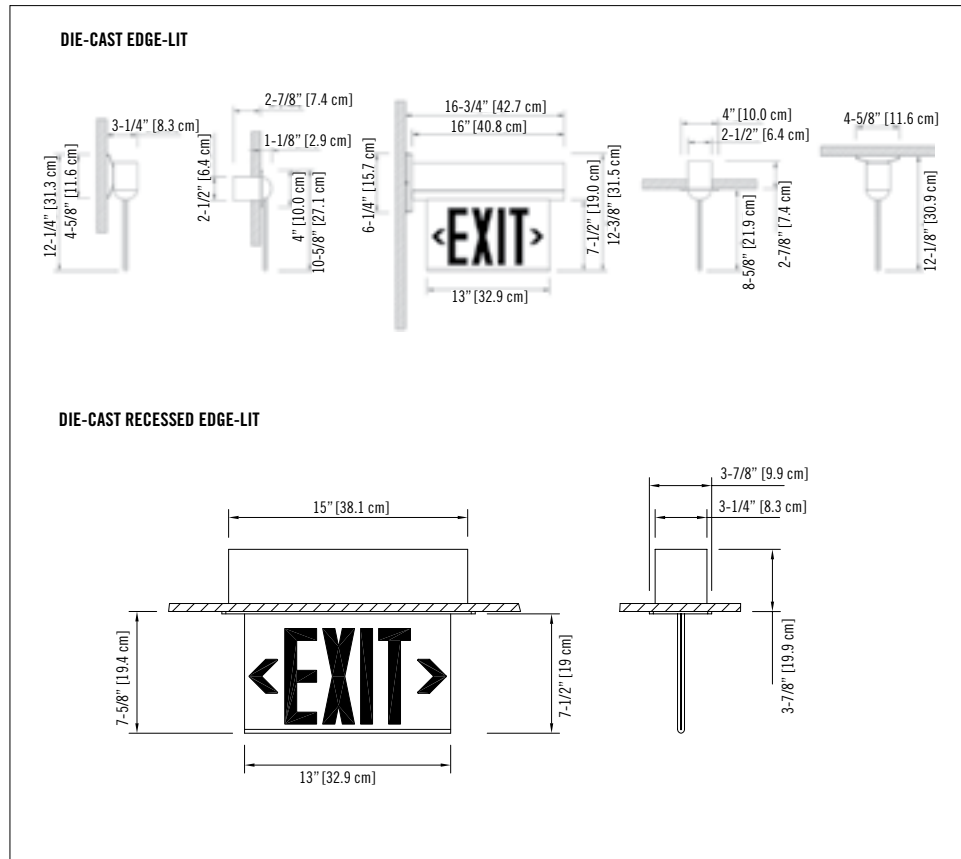
### POWER CONSUMPTION

MODEL	AC SPECS		DC SPECS	
AC-only	120 to 347VAC	less than 1.4W	-	
AC/DC - remote	120 to 347VAC	less than 1.4W	6 to 24VDC	less than 1.4W
Self-Powered	120 to 347VAC	less than 2.3W	nickel-cadmium battery	minimum 90 minutes
Self-Powered diagnostic	120/347VAC	less than 2.3W	nickel-cadmium battery	minimum 90 minutes



## DIMENSIONS

Dimensions are approximate and subject to change.



## RXL3 SERIES

Die-Cast Edge-Lit Exit Sign

## ORDERING INFORMATION

SERIES	FACES	HOUSING COLOUR	TRIM OPTION	LEGEND COLOUR	BACKGROUND COLOUR	CHEVRONS	VOLTAGE
RXL3	1= single face 2= double face	BA= brushed aluminum BK= black aluminum BR= bronze CH= chrome WH= factory white	A= angular, universal mount C= circular, universal mount F= flat trim, ceiling mount, fully recessed	G= green R= red	C= clear single face M= mirror W= white	A= one chevron, double face D= double chevron L= chevron left <sup>1</sup> N= no chevrons <sup>1</sup> R= chevron right <sup>1</sup>	AC= AC only, 120 to 347VAC DC= 120 to 347VAC, 6 to 24VDC NEX= NEXUS® system interface <sup>1</sup> NEXRF= wireless NEXUS® system interface <sup>1</sup> SD= Self-Powered diagnostic (non-audible), 120/347VAC <sup>2</sup> SD2= Self-Powered diagnostic (non-audible), 120/277VAC <sup>2</sup> SP= Self-Powered, 120 to 347VAC

EXAMPLE: RXL31BAARCNA

<sup>1</sup> Not available on double face

<sup>1</sup> Not all options available with NEXUS® System. Please consult your sales representative

<sup>2</sup> Self-Powered (90 mins. time base)



## RAE SERIES

Aluminum Slim Edge-Lit Pictogram Exit Sign



### TYPICAL SPECIFICATIONS

Supply and install the **Ready-Lite® RAE Series** slim-profile pictogram Edge-Lit Exit Sign. The unit shall operate with universal 2-wire AC input voltage of 120 to 347VAC at less than 3W and universal 2-wire DC input voltage from 6 to 24VDC at less than 2.5W. The housing assembly shall be constructed of extruded aluminum with textured finish and \_\_\_\_\_ colour. The canopy shall be of Die-Cast aluminum and allow for wall, end, or ceiling mount. The legend shall be printed on a pure-acrylic panel. The light source shall be long-life white light-emitting diodes (LED) and shall provide even illumination in normal and emergency operation. The pictogram Edge-Lit Exit Sign in a Self-Powered configuration shall use a sealed Nickel-Cadmium battery of 2.4V nominal voltage and shall stay illuminated during emergency operation for at least two hours upon AC failure.

The pictogram Edge-Lit Exit Sign shall be listed CSA 22.2 No.141-15.

The equipment shall be **Ready-Lite®** Model: \_\_\_\_\_.

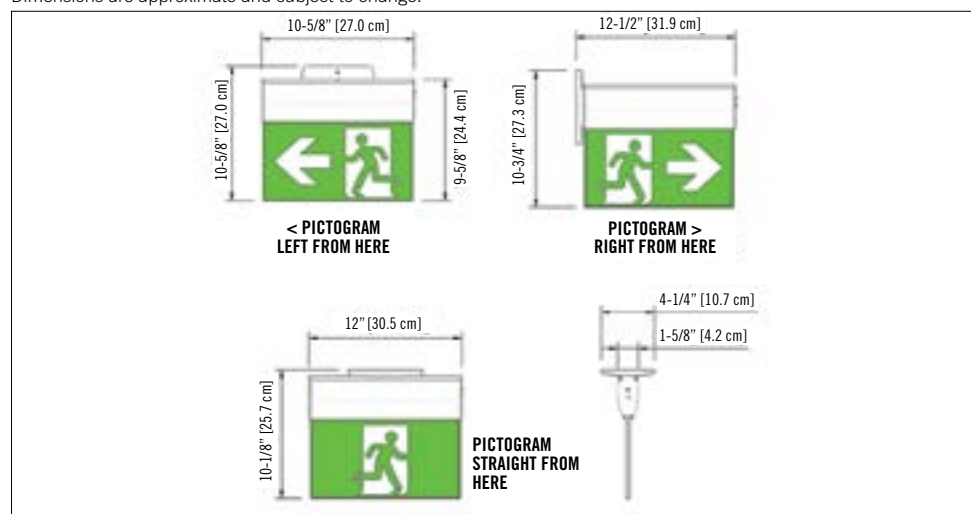
### FEATURES

- Slim-profile extruded aluminum housing
- Universal surface mounting – wall, ceiling or end mount
- Click-to-open housing door allows easy access to the panel and electrical wiring
- Acrylic panel with pictogram legend
- Long-life white LED light source
- Meets or exceeds CSA.222 No.141-15
- Universal AC input: two-wire 120 to 347VAC; standard DC input: two-wire 6 to 24VDC
- Energy efficient – consumes less than 3W in AC or DC-remote mode
- Self-Powered models provide minimum two hours of emergency lighting
- Special wording available (CSA C22.2 No. 250.0)

See warranty details at: [www.tnb.ca/en/brands/ready-lite](http://www.tnb.ca/en/brands/ready-lite)

### DIMENSIONS

Dimensions are approximate and subject to change.



### POWER CONSUMPTION

MODEL	AC SPECS		DC SPECS	
AC-only	120 to 347VAC	less than 3W	-	-
AC/DC standard	120 to 347VAC	less than 3W	6 to 24VDC	less than 2.5W
AC/48VDC	120 to 347VAC	less than 3W	48VDC	2W
AC/120VDC	120 to 347VAC	less than 3W	120VDC	4.7W
two-wire 120V AC/DC	120VAC	less than 3.5W	120VDC	less than 3.5W
Self-Powered	120 to 347VAC	less than 4W	nickel-cadmium battery	minimum 2 hours

### ORDERING INFORMATION

SERIES	FACES / ARROW	HOUSING COLOUR	VOLTAGE	OPTIONS
RAE= extruded aluminum edge-lit pictogram exit sign	<p>1= single face, no arrow</p> <p>2= double face, no arrows</p> <p>A= double faces, arrow left or right</p> <p>L= single face, left arrow</p> <p>R= single face, right arrow</p> <p>0<sup>1</sup>= special wording</p> <p>_U9= arrow Up<sup>1</sup></p> <p>_D9= arrow Down<sup>1</sup></p> <p>_U4= arrow Up 45°<sup>1</sup></p> <p>_D4= arrow Down 45°<sup>1</sup></p>	<p>OW= off-white</p> <p>TA= textured aluminum</p>	<p>2120= 2 wires 120VAC/VDC</p> <p>AC= 120 to 347VAC only</p> <p>DC= 120 to 347VAC; 6 to 24VDC</p> <p>SP= Self-Powered, 120 to 347VAC<sup>1</sup></p> <p>U48= 120 to 347VAC; 48VDC</p> <p>U120= 120 to 347VAC; 120VDC</p>	<p>LP= Panel shipped separately<sup>1</sup></p>
	<sup>1</sup> Indicate 1 or 2 faces		<sup>1</sup> Self-Powered (120 mins. time base)	<sup>1</sup> Order panel separately

EXAMPLE: RAE10WDC

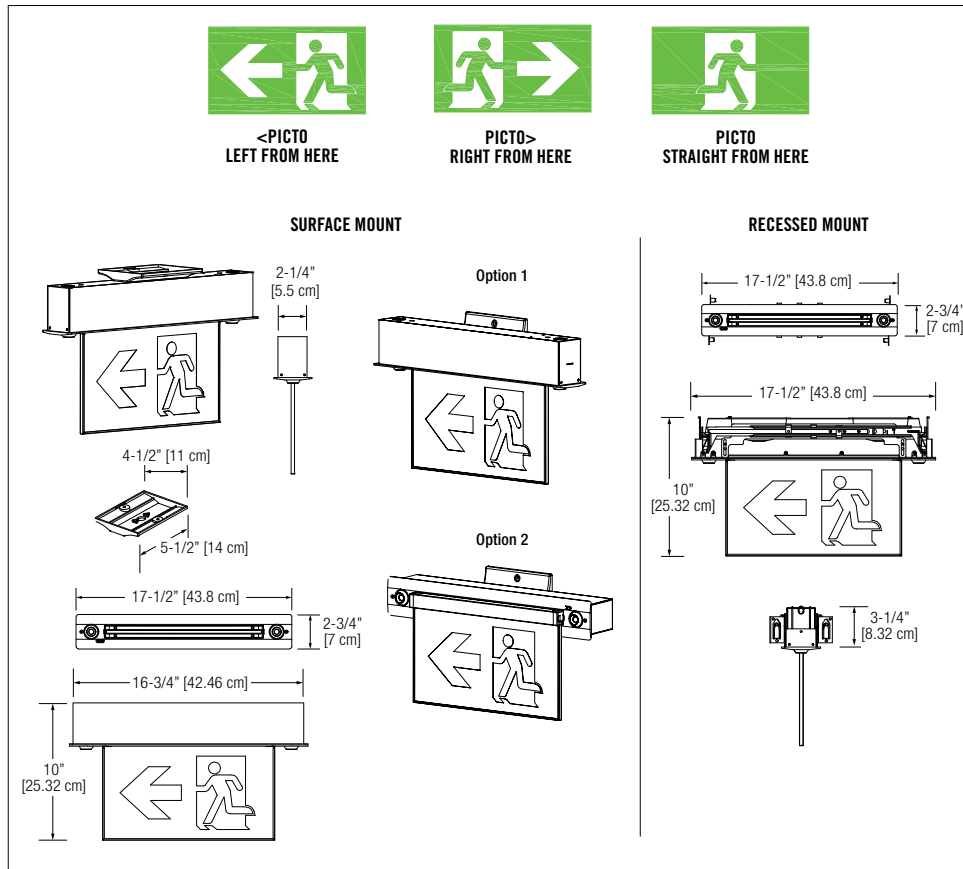


## RAEC SERIES

Pictogram extruded aluminum edge-lit combo

### DIMENSIONS

Dimensions are approximate and subject to change.

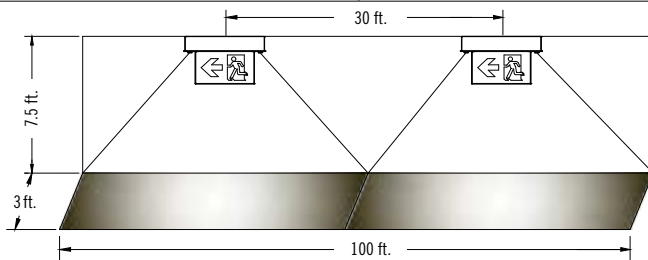


### FEATURES

- Extruded aluminum trim plate
  - Universal wall and ceiling surface or recessed mounting
  - Includes pictogram panels for single and double face applications
  - High power LED lamps
  - Lamp heads are fully adjustable
  - High temperature long life Ni-MH battery
  - 120/347VAC 60Hz
  - CSA C22.2 no.141-15 approved
  - Standard with diagnostics
  - Unit has a one-year limited warranty
- See warranty details at: [www.tnb.ca/en/brands/ready-lite](http://www.tnb.ca/en/brands/ready-lite)

### PHOTOMETRIC PERFORMANCE

SERIES	SPACING CENTER-TO-CENTER
	7.5 FEET MOUNTING HEIGHT
RAEC-2HO	30 feet



### POWER CONSUMPTION

MODEL	AC SPECS		DC SPECS	
RAEC-2HO	120/347VAC, 60Hz	3W	Ni-MH battery	Minimum 90 minutes

### ORDERING INFORMATION

SERIES	FACE/ARROW (UNIVERSAL MOUNTING)	COLOUR	LAMP
RAEC	Blank= Universal faces	Blank= Factory white	-2HO= 2 high output LED lights

EXAMPLE: RAEC-2HO



## RD SERIES

### Die-Cast Pictogram Sign



## TYPICAL SPECIFICATIONS

Stylish and built of Die-Cast aluminum, the new **Ready-Lite® RD Series** offers superior workmanship, versatile mounting capabilities and economical, long-lasting LED performance.

Supply and install the **RD Series** Pictogram Sign. The faceplate(s) and the back plate shall snap together and be made of Die-Cast aluminum. No screws are necessary to hold the faceplate(s) or the back plate to the housing. The light source shall be light emitting diodes (LED). The LED strip shall provide illumination in normal and emergency operation and shall be mounted inside the pictogram sign on a plastic frame/reflector.

The equipment in a Self-Powered configuration shall use a sealed Nickel-Cadmium battery of 2.4V nominal voltage. The equipment shall recharge the battery in 24 hours and stay illuminated at least for a minimum 120 minutes upon AC failure. The equipment shall operate with a dual-voltage input of 120/277VAC 60Hz or 120/347VAC 60Hz with less than 3.5W of consumption.

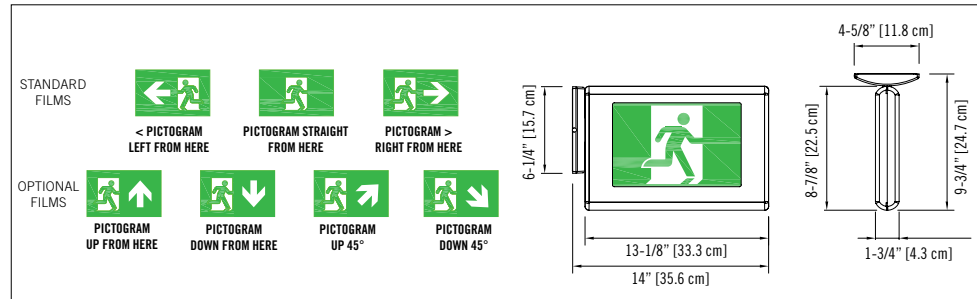
When specified, the Self-Powered model equipped with advanced diagnostic shall self-test by simulating a power failure for one minute every 30 days, 30 minutes every 6 months and 120 minutes annually. A diagnostic circuit shall continuously monitor the performance of the battery, charger module and LED strip. Upon failure detection the system shall display the error on the AC pilot lamp, which will change color and will flash with a specific code.

The pictogram Exit Sign shall be CSA 22.2 No.141-15 certified.

The pictogram Sign shall be **Ready-Lite®** Model: \_\_\_\_\_.

## DIMENSIONS

Dimensions are approximate and subject to change.



## WIRE GUARDS

460.0079-RL	wall mount
460.0027-RL	end mount
460.0028-RL	ceiling mount

## POWER CONSUMPTION

MODEL	AC SPECS		DC SPECS	
AC only	120/277VAC or 120/347VAC	less than 2.5W	-	-
AC/DC standard	120/277VAC or 120/347VAC	less than 2.5W	6 to 48VDC	less than 2W
Self-Powered	120/277VAC or 120/347VAC	less than 3.5W	Nickel-Cadmium battery	minimum 120 minutes
Self-Powered with diagnostic	120/277VAC or 120/347VAC	less than 3.5W	Nickel-Cadmium battery	minimum 120 minutes

## ORDERING INFORMATION

SERIES / ENCLOSURE	FACES / MOUNTING	ARROW CONFIGURATION	HOUSING/ FACEPLATE COLOR	CIRCUIT TYPE	VOLTAGE	OPTIONS
RD= Die-Cast Pictogram	1= Single face, universal mount 2= Double face, universal mount 3= Universal face, universal mount <sup>1</sup>	Blank= Standard film <sup>1</sup> CFP= Special wording _U9= Arrow Up _D9= Arrow Down _U4= Arrow Up 45° _D4= Arrow Down 45°	BA= Black/brushed aluminum BB= Black/black WA= Factory White/brushed aluminum WW= Factory White/Factory White	AC= AC only NEX= Nexus® wired system interface NEXRF= Nexus® Wireless system interface SP= Self-Powered SPD= Self-Powered diagnostic audible SPDN= Self-Powered diagnostic non-audible UD= AC & 6 to 48VDC	2= 120/277VAC 3= 120/347VAC	TP= Tamper-proof screws <sup>1</sup> VR= Vandal resistant shield and tamper-proof screws*  <sup>1</sup> Only available with Single or Double Face.

EXAMPLE: RD1BBSPDN3

## TYPICAL SPECIFICATIONS

Supply and install the **Ready-Lite® RA Series** pictogram Exit Signs. The equipment shall operate with universal 2-wire AC input voltage of 120 to 347VAC at less than 2.5W and universal 2-wire DC input voltage from 6 to 24VDC at less than 1.5W for single and double face signs. The equipment shall be suitable for wall, end, or ceiling mount. The housing shall be constructed of rugged extruded aluminum and have a maximum depth of 2-1/2". The faceplate(s) shall be constructed of extruded aluminum and shall incorporate a protective clear polycarbonate panel. Each face plate shall come standard with two legend films for pictogram and direction selection. The light source shall be white light-emitting diodes (LED) and shall provide even illumination in normal and emergency operation. The pictogram Exit Sign in a Self-Powered configuration shall use a sealed Nickel-Cadmium battery of 2.4V nominal voltage and shall stay illuminated during emergency operation for at least two hours upon AC failure. The pictogram Exit Sign shall meet CSA 22.2 No.141-15.

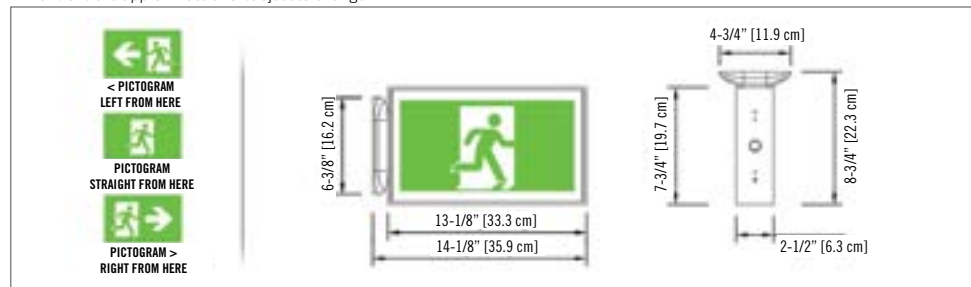
The equipment shall be **Ready-Lite®** Model: \_\_\_\_\_.

## WIRE GUARDS

460.0079-RL	wall mount
460.0027-RL	end mount
460.0028-RL	ceiling mount

## DIMENSIONS

Dimensions are approximate and subject to change.



## POWER CONSUMPTION

MODEL	AC SPECS		DC SPECS	
AC-only	120 to 347VAC	less than 2.5W	-	-
AC/DC standard	120 to 347VAC	less than 2.5W	6 to 24VDC	less than 1.5W
AC/Special DC	120 to 347VAC	less than 2.5W	36, 48, 120VDC	less than 2.5W
two-wire 120V AC/DC	120VAC	less than 2.5W	120VDC	less than 2.5W
Self-Powered	120 to 347VAC	less than 3W	nickel-cadmium battery	minimum two hours

## ORDERING INFORMATION

SERIES	FACES / MOUNTING	HOUSING COLOUR	VOLTAGE	OPTIONS
RA= pictogram exit sign	1= single face, universal mount 2= double face, universal mount 3= universal face, universal mounting	A= brushed aluminum B= black G= grey W= factory white  Other colours available	2120= 2-wires 120VAC/VDC NEX= NEXUS® system interface <sup>1</sup> NEXRF= wireless NEXUS® system interface <sup>1</sup> SP= Self-Powered, 120 to 347VAC SPD= Self-Powered diagnostic Ni-Cd, 120/347VAC, non-audible U= 120 to 347VAC; 6 to 24VDC U00= 120 to 347VAC only U36= 120 to 347VAC; 36VDC U48= 120 to 347VAC; 48VDC U120= 120 to 347VAC; 120VDC	CFP= Special wording CFP2= Special wording 2 led strips D4= Arrow Down 45° D9= Arrow Down U4= Arrow Up 45° U9= Arrow Up VR= vandal-resistant shield and tamper-proof screws <sup>1</sup>  <sup>1</sup> 990.01 19-RL= Tamper-proof bit (sold separately) Specify single or double face only.

EXAMPLE: RA1WUTP



## RA SERIES

Extruded Aluminum Pictogram Exit Sign

## FEATURES

- Durable extruded, one-piece aluminum housing and face plates
- White LED light source
- Supplied standard with two pictogram films (single face universal mount and/or single/double face universal mount) for direction selection
- Meets or exceeds CSA 22.2 No.141-15 standard for pictogram exit signs
- Universal AC input: two-wire 120 to 347VAC; standard DC input: two-wire 6 to 24VDC
- Energy efficient – consumes less than 2.5W in AC or DC-remote mode
- Self-Powered model gives standard two hours of back-up lighting
- Universal mounting – end, wall or ceiling
- Easy access to wiring entry for all mounting options
- Comes standard with the **Ready-Lite®** EZ2 canopy for quick and easy installation
- Special wording available (C22.2 No. 250.0)

See warranty details at: [www.tnb.ca/en/brands/ready-lite](http://www.tnb.ca/en/brands/ready-lite)



## TYPICAL SPECIFICATIONS

Supply and install the **Ready-Lite® RA Triangular Series** of pictogram exit signs. The equipment shall operate with universal 2-wire AC input voltage of 120 to 347VAC at less than 2.5W and universal 2-wire DC input voltage from 6 to 24VDC at less than 1.5W per face. The equipment shall be suitable for wall or pendant, or ceiling mount. The housing shall be constructed of rugged extruded aluminum. The faceplate(s) shall be constructed of extruded aluminum and shall incorporate a protective clear polycarbonate panel. Each face plate shall come standard with two legend films for pictogram and direction selection.

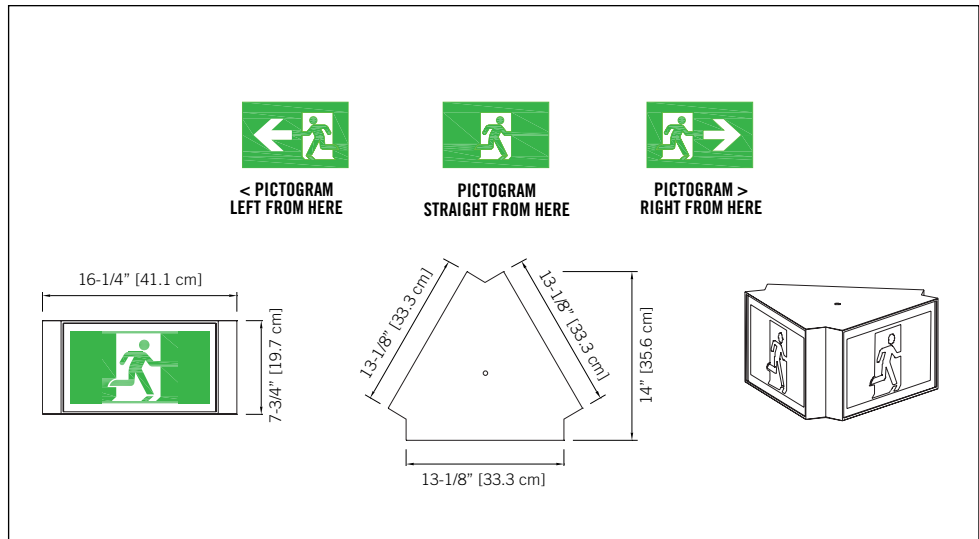
The light source shall be white light-emitting diodes (LED) and shall provide even illumination in normal and emergency operation.

The pictogram exit sign shall meet or exceed the CSA 22.2 No.141-15 standard.

The equipment shall be **Ready-Lite® Model:** \_\_\_\_\_

## DIMENSIONS

Dimensions are approximate and subject to change.



## RA Triangular Series

Extruded Aluminum  
Pictogram Exit Sign

## FEATURES

- Long-life white LED light sources is warrantied for ten (10) years
- Supplied standard with two pictogram films, for direction selection
- Universal AC input: two-wire 120 to 347VAC; standard DC input: two-wire 6 to 24VDC
- Energy efficient – consumes less than 2.5W in AC or DC-remote mode per face
- Easy access to wiring entry for all mounting options
- Special wording available (CSA C22.2 No. 250.0)
- Meets or exceeds CSA 22.2 No. 141-15  
See warranty details at: [www.tnb.ca/en/brands/ready-lite](http://www.tnb.ca/en/brands/ready-lite)

## POWER CONSUMPTION AND UNIT RATING

MODEL	AC SPECS		DC SPECS	
AC / DC - standard	120 to 347VAC	Less than 2.5W	6 to 24VDC	Less than 1.5W

## ORDERING INFORMATION

SERIES	FACES/MOUNTING	COLOUR	VOLTAGE	OPTIONS
RA= pictogram exit sign	T2S= triangular 2 sided, wall and pendant mount only T3S= triangular 3 sided, pendant mount only	Blank= factory white	UNIV= 120 to 347VAC; 6 to 24VDC	CFP= Special Wording D4= Arrow Down 45° D9= Arrow Down TP= tamper-proof screws U4= Arrow Up 45° U9= Arrow Up  *990.0119-R= tamper-proof bit (sold seperately)

EXAMPLE: RAT2SUNIVTP

## TYPICAL SPECIFICATIONS

Supply and install the **Ready-Lite® CX5000 Series** LED Exit Signs. The equipment shall operate with universal AC input voltage of 120VAC, 277VAC or 347VAC at less than 1.5W and universal two-wire DC input voltage from 6VDC to 24VDC at less than 1.5W for single or double face signs.

The housing shall be constructed of rugged extruded aluminum and have a maximum depth of 2-1/2". The faceplate(s) shall be constructed of extruded aluminum and come standard with knockout chevrons.

The light source shall be light emitting diodes (LED). The LED lamps shall provide illumination in normal and emergency operation and shall be mounted inside the exit housing. The red LED technology shall be **ALINGAP**. An LED-sensitive diffuser shall be mounted behind the legend to provide the 6" high by 3/4" stroke letters with even illumination. The Exit Sign in a Self-Powered configuration shall stay illuminated during emergency operation for at least 90 minutes upon AC failure.

The Exit Sign shall be CSA-C860 approved and meets CSA 22.2 No.141

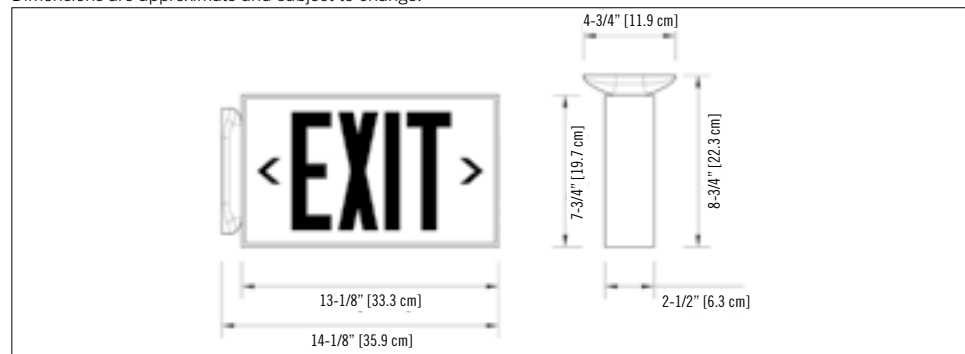
The equipment shall be **Ready-Lite®** Model: \_\_\_\_\_

## WIRE GUARDS

460.0079-RL	wall mount
460.0027-RL	end mount
460.0028-RL	ceiling mount

## DIMENSIONS

Dimensions are approximate and subject to change.



## POWER CONSUMPTION

MODEL	AC SPECS		DC SPECS	
AC/ standard DC, red	120/277/347VAC	less than 1.5W	6 to 24VDC	less than 1.5W
AC/ special DC, red	120/277/347VAC	less than 1.5W	36 or 48 or 120VDC	less than 2.5W
Self-Powered, red	120 to 347VAC	less than 3W	nickel-cadmium battery	minimum 90 minutes
AC/ standard DC, green	120 to 347VAC	less than 1.5W	6 to 24VDC	less than 1.5W
Self-Powered, green	120 to 347VAC	less than 3W	nickel-cadmium battery	minimum 90 minutes

## ORDERING INFORMATION

SERIES	FACES/MOUNTING	COLOUR	VOLTAGE	OPTIONS
CX5= LED exit	100= single face, universal mount 200= double face, universal mount	WH= factory white BK= black BA= brushed aluminum TA= textured aluminum PW= polar white	-UL= 120/277/347VAC, 6 to 24VDC -L120-2W= 120VAC, 120VDC 2 wires -LU36= 120/277/347VAC - 36VDC -LU48= 120/277/347VAC - 48VDC -LU120= 120/277/347VAC - 120VDC -ISP= Self-Powered, 120 to 347VAC	G= green legend TP= tamper-proof screws* VRTP= vandal resistant shield with tamper-proof screws* CFP= special wording CFP2= special wording, two LED strips

EXAMPLE: CX5100WH-UL



## CX5000 SERIES

Extruded Aluminum Sign

## FEATURES

- Durable, extruded, one-piece aluminum housing
- Long-life, energy-efficient **ALINGAP** technology red LED light source completely enclosed in acrylic module
- Single illumination module lights both single and double face exit signs
- Highly energy efficient – consumes less than 2.5W in AC or DC mode
- Normal AC and emergency DC operation - 120/277/347V AC input; 6 to 24V DC input
- Comes with the **Ready-Lite®** EZ2 canopy for quick and easy installation
- Also available with power pack; see SM-CX5000 catalogue sheet
- CSA certified, meets or exceeds CSA 22.2 No. 141 requirements



## CS5000 SERIES

Extruded Aluminum  
"Sortie" Sign



### TYPICAL SPECIFICATIONS

Supply and install the **Ready-Lite® CS5000 Series** LED "SORTIE" Exit Signs. The equipment shall operate with universal two-wire AC input voltage of 120VAC to 347VAC at less than 1.5W and universal two-wire DC input voltage from 6VDC to 24VDC at less than 1.5W for single or double face signs.

The housing shall be constructed of rugged extruded aluminum and have a maximum depth of 2-1/2". The faceplate(s) shall be constructed of extruded aluminum and come standard with knockout chevrons.

The light source shall be light emitting diodes (LED). The LED lamps shall provide illumination in normal and emergency operation and shall be mounted inside the exit housing. The red LED technology shall be **ALINGAP**. An LED-sensitive diffuser shall be mounted behind the legend to provide the 6" high by 3/4" stroke letters with even illumination. The Exit Sign in a Self-Powered configuration shall stay illuminated during emergency operation for at least 60 minutes upon AC failure.

The Exit Sign shall be CSA-C860 approved.

The equipment shall be **Ready-Lite®** Model: \_\_\_\_\_

### FEATURES

- Durable, extruded, one-piece aluminum housing
- Long life **ALINGAP** technology LED light source is completely enclosed in acrylic module
- Single illumination module lights both single and double face exit signs
- Highly energy efficient, consumes a maximum of 3W
- Normal AC and emergency DC operation – 120V to 347VAC; 6V to 24VDC input
- Also available with power pack; see SM-CS5000 catalogue sheet
- CSA certified, meets or exceeds CSA 22.2 No. 141 requirements
- Comes with **Ready-Lite®** EZ2 canopy, for quick and easy installation

### WIRE GUARDS

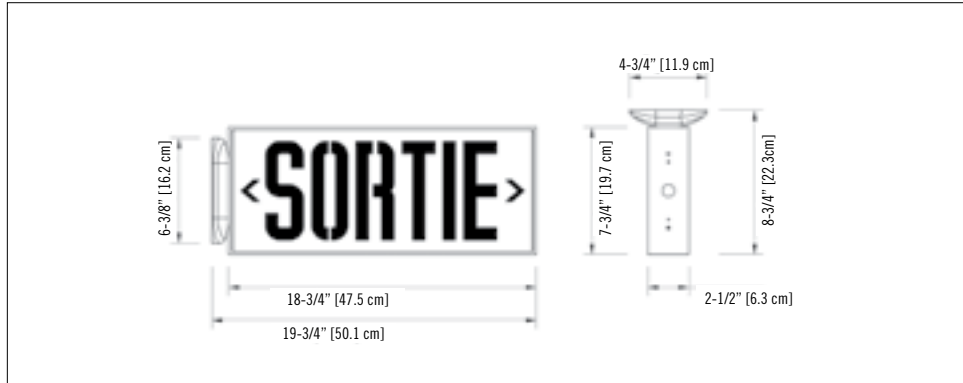
460.0057-RL	wall mount
460.0048-RL	end mount
460.0058-RL	ceiling mount





## DIMENSIONS

Dimensions are approximate and subject to change.



## CS5000 SERIES

Extruded Aluminum  
"Sortie" Sign

## POWER CONSUMPTION

MODEL	AC SPECS		DC SPECS	
AC/ standard DC, red	120 to 347VAC	less than 1.5W	6 to 24VDC	less than 1.5W
AC/ special DC, red	120/277/347VAC	less than 1.5W	36 or 48 or 120VDC	less than 3W
Self-Powered, red	120 to 347VAC	less than 3W	nickel-cadmium battery	min. 60 or 120 minutes

## ORDERING INFORMATION

SERIES	FACES/MOUNTING	COLOUR	VOLTAGE	OPTIONS
CS= aluminum sortie	5100= single face/universal mount 5200= double face/universal mount	BA= brushed aluminum BK= black PW= polar white TA= textured aluminum WH= factory white	-UL= 120/277/347VAC, 6 to 24VDC -L120-2W= 120VAC, 120VDC 2 wires -LU36= 120/277/347VAC - 36VDC -LU48= 120/277/347VAC - 48VDC -LU120= 120/277/347VAC - 120VDC -ISP= Self-Powered, 120 to 347VAC (60 minutes) -ISP2= Self-Powered, 120 to 347VAC (120 minutes)	G= green legend TP= tamper-proof screws* VRTP= vandal resistant shield with tamper-proof screws* CFP= special wording CFP2= special wording, two LED strips

\*990.0119-RL= Tamper-proof bit (sold separately)

EXAMPLE: CS5100WH-UL



## RAC SERIES

Extruded Aluminum  
Pictogram Exit Combo Unit



### TYPICAL SPECIFICATIONS

Supply and install the **Ready-Lite® RAC Series** combination emergency light battery unit and the pictogram Exit Sign. The unit shall be suitable for universal mounting: wall, end, or ceiling. The unit shall include a power pack made of steel and a legend housing including a one-piece extruded aluminum frame. The legend housing shall have a maximum depth of 2-1/2". The face plate(s) shall be of extruded aluminum and shall incorporate a protective clear polycarbonate panel. Each face plate shall come standard with two legend films for pictogram and direction selection. The light source shall be white light-emitting diodes (LED) and shall provide even illumination in normal and emergency operation. The power pack shall be complete unit equipment with battery charger and rechargeable battery. The battery shall be maintenance-free, sealed Lead-Calcium. In case of AC power failure the equipment shall provide minimum 30 minutes of emergency lighting. The rated DC power available for emergency lights shall be 27W or up to 80W, as specified. The emergency heads shall require no tools to adjust and aim. The heads shall be made of durable thermoplastic construction as otherwise specified. Units with "auto-diagnostic option" shall include a micro-controller circuit to monitor all the critical functions of the equipment and execute periodical tests of one minute every 30 days, 10 minutes every 6 months and 30 minutes every 12 months. In case of equipment malfunction, an LED-based diagnostic display shall generate a service alarm and indicate the cause of failure: battery, charger circuit, emergency lamps or exit sign lamps.

The equipment shall meet or exceed the requirements of CSA 22.2 No.141-15 standard.

The equipment shall be **Ready-Lite®** Model: \_\_\_\_\_.

### FEATURES

- Solid extruded aluminum construction, painted factory white
- Universal mounting: end, wall or ceiling
- Meets or exceeds CSA 22.2 No.141-15 standard for unit equipment and pictogram safety signs
- Legend illuminated by long-life white LED's
- Comes standard with two pictogram films per face, for direction selection
- 5W LED emergency lights provide 70' of egress illumination on a 6-foot wide path
- Sealed, maintenance-free Lead-Calcium battery
- Remote load capacity: 70' up to 350' of egress illumination when using LED remote heads
- Advanced diagnostics capabilities (specific load requirements)

### WIRE GUARDS

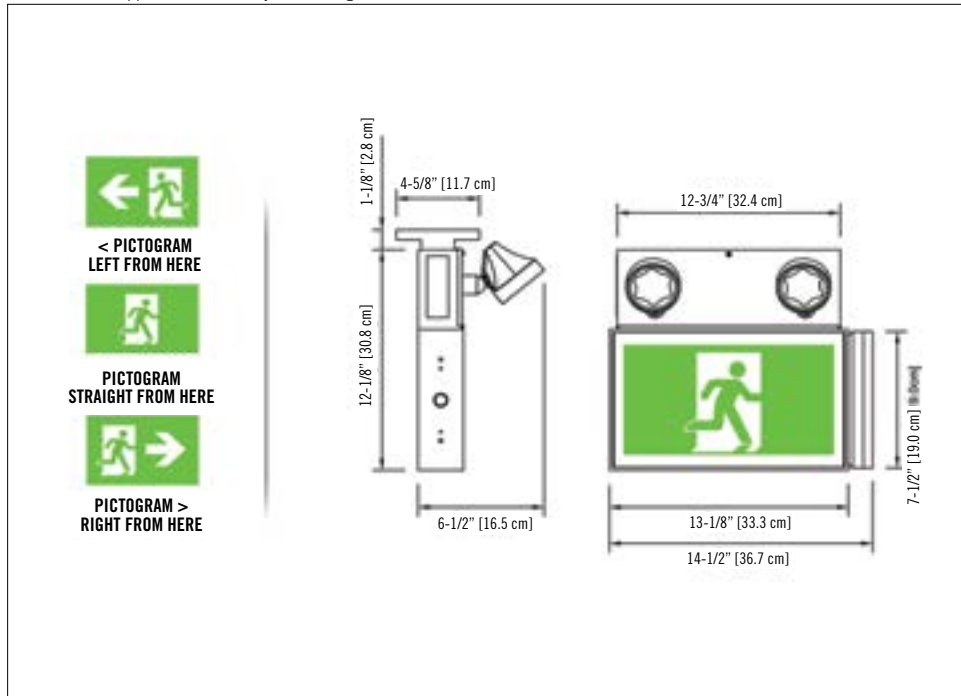
460.0081-RL	wall mount
460.0060-RL	ceiling mount

### POWER CONSUMPTION

MODEL	AC SPECS		EMERGENCY POWER AVAILABLE FOR LAMPS				
			30MIN	1H00	1H30	2H00	4H00
pictogram module	120/347VAC	less than 1.5W	-	-	-	-	-
RAC-627	120/347VAC	0.15/0.05 A	27	16	11	9	-
RAC-640			40	23	16	13	-
RAC-672			72	42	30	24	12
RAC-1250	120/347VAC	0.25/0.09 A	50	29	21	16	8
RAC-1280			80	46	32	27	13

## DIMENSIONS

Dimensions are approximate and subject to change.



## RAC SERIES

Extruded Aluminum  
Pictogram Exit Combo Unit

## ORDERING INFORMATION

SERIES	FACES / MOUNTING	COLOUR	POWERPACK	HEADS	HEAD STYLE AND WATTAGE	VOLTAGE	OPTIONS
<b>RAC</b> = pictogram aluminum combination unit	1= single face universal mounting 2= double face universal mounting	<b>B</b> = black <b>W</b> = factory white	<b>627</b> = 6V-27W <b>640</b> = 6V-40W <b>672</b> = 6V-72W <b>1250</b> = 12V-50W <b>1280</b> = 12V-80W	1= one head 2= two heads <b>Blank</b> = no heads	<b>Blank</b> = no heads <b>LD1</b> = MR16 LED, 6V-4W <b>LD2</b> = MR16 LED, 6V-5W <b>LD7</b> = MR16 LED, 12V-4W <b>LD9</b> = MR16 LED, 12V-5W <b>LD10</b> = MR16 LED, 12V-6W	<b>Blank</b> = 120/347 VAC <b>U2</b> = 120/277 VAC input	<b>AD</b> = auto-diagnostics <sup>1</sup> <b>ADN</b> = auto-diagnostics, non-audible <sup>1</sup> <b>D3</b> = time delay (15 mins.) <sup>2</sup> <b>D4</b> = Arrow Down 45° <b>D9</b> = Arrow Down <b>NEX</b> = NEXUS® system interface <sup>1</sup> <b>NEXRF</b> = wireless NEXUS® system interface <sup>1</sup> <b>TP</b> = tamper-proof screws <sup>3</sup> <b>U4</b> = Arrow Up 45° <b>U9</b> = Arrow Up

<sup>1</sup> Not available With 6V-72W

Not all options available with NEXUS® System. Please consult your sales representative

<sup>2</sup> Available with auto-diagnostics or NEXUS® only

<sup>3</sup> **990.0119-RL**= Tamper-proof bit (sold separately)

EXAMPLE: RAC1W6272LD1D3



### TYPICAL SPECIFICATIONS

Supply and install the **Ready-Lite® SM-CX5000** LED Exit Sign and power pack combination series. The exit housing shall be constructed of rugged extruded aluminum. The faceplate shall be constructed of extruded aluminum. The Exit Sign shall have a maximum depth of 2-1/2". The faceplate(s) shall come standard with knockout chevrons. The light source shall be light emitting diodes (LED). The LED lamps shall provide illumination in normal and emergency operation and shall be mounted inside the exit housing. An LED-sensitive diffuser shall be mounted behind the legend to provide the 6" high by 3/4" stroke letters with even illumination. The power pack shall be a completely self-contained emergency unit with its own charger and rechargeable battery. The housing shall be made of steel, painted factory white. The unit shall be designed to furnish exit illumination from the normal AC source. When a power failure occurs the mounted heads along with the Exit Sign are illuminated in emergency mode for a minimum of 30 minutes. The power pack is furnished with a test switch and high charge pilot light and is available as either 18, 36 or 72W. The heads shall require no tools to adjust and aim. The heads will be constructed of a durable thermoplastic construction and use 6V, 4W LED lamps or as otherwise specified. The Exit Sign shall be CSA-C860 approved and meets CSA 22.2 No. 141.

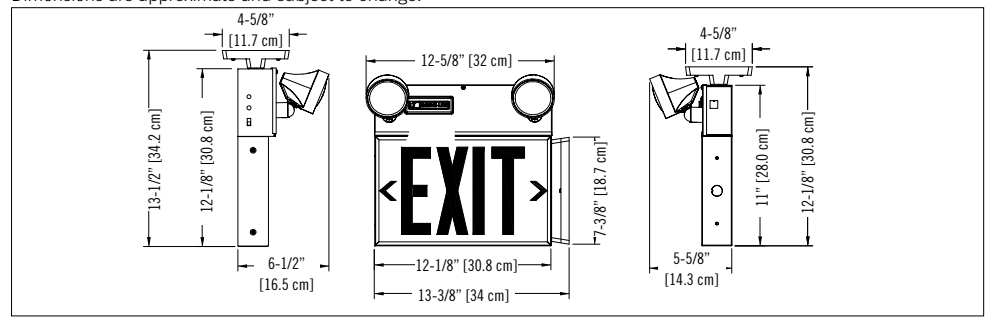
The equipment shall be **Ready-Lite®** Model: \_\_\_\_\_ .

### WIRE GUARDS

460.0081-RL	wall mount
460.0060-RL	ceiling mount

### DIMENSIONS

Dimensions are approximate and subject to change.



### POWER CONSUMPTION AND UNIT RATING

MODEL	AC SPECS	WATTAGE CAPACITY				
		30MIN	1H00	1H30	2H00	4H00
Exit Sign Module	less than 1.5W	-	-	-	-	-
SM18-6V	0.15/0.05 A	18	10	7	6	3
SM36-6V	0.15/0.05 A	36	21	15	12	6
SM72-6V	0.18/0.07 A	72	42	30	24	12
SM36-12V	0.18/0.07 A	36	21	15	12	6
SM72-12V	0.15/0.05 A	72	42	30	24	12

### ORDERING INFORMATION

SERIES	NUMBER OF HEADS	HEAD STYLE AND WATTAGE	FACES/MOUNTING	VOLTAGE	COLOUR	OPTIONS
SM18= 6V-18W* SM36= 6V, 12V-36W SM72= 6V, 12V-72W	Blank= no heads 1= one head 2= two heads	LD1= MR16 LED, 6V-4W LD2= MR16 LED, 6V-5W LD7= MR16 LED, 12V-4W LD9= MR16 LED, 12V-5W LD10= MR16 LED, 12V-6W	-CX5100= single face, universal mounting -CX5200= double face, universal mounting	Blank= 120/347VAC, 6VDC L062= 277VAC, 6VDC L12U= 120/347VAC, 12VDC L122= 277VAC, 12VDC	Blank= factory white BA= brushed aluminum* BK= black TA= textured aluminum* *Black heads	Blank= no options AD= auto-diagnostics* ADN= auto-diagnostics, non-audible* NEX= NEXUS® system interface* NEXRF= wireless NEXUS® system interface* D3= time delay (15 mins.) G= green legend  *Not available for 6V-72W *Not all options available with NEXUS® System. Please consult your sales representative

EXAMPLE: SM18LD1-CX5100

## TYPICAL SPECIFICATIONS

Supply and install the **Ready-Lite® SMCS5000** LED “SORTIE” Exit Sign with power pack combination series. The exit housing and the faceplate(s) shall be constructed of rugged extruded aluminum. The Exit Sign shall have a maximum depth of 2-1/2”. The faceplate(s) shall come standard with knockout chevrons.

The light source shall be light emitting diodes (LED). Red LED technology shall be **ALINGAP**. The LED lamps shall provide illumination in normal and emergency operation and shall be mounted inside the exit housing. An LED-sensitive diffuser shall be mounted behind the legend to provide the 6” high by 3/4” stroke letters with even illumination. The power pack shall be a completely self-contained emergency unit with its own charger and rechargeable battery. The housing shall be made of steel. The unit shall be designed to furnish exit illumination from the normal AC source. When a power failure occurs, the mounted heads along with the Exit Sign are illuminated in emergency mode for a minimum of 30 minutes. The power pack is furnished with a test switch and high charge pilot light and is available as either 18, 36 or 72W. The heads shall require no tools to adjust and aim. The heads will be constructed of polycarbonate and include 6V, 4W LED lamps or as otherwise specified.

The Exit Sign shall be CSA-C860 approved and meets CSA 22.2 No.141.

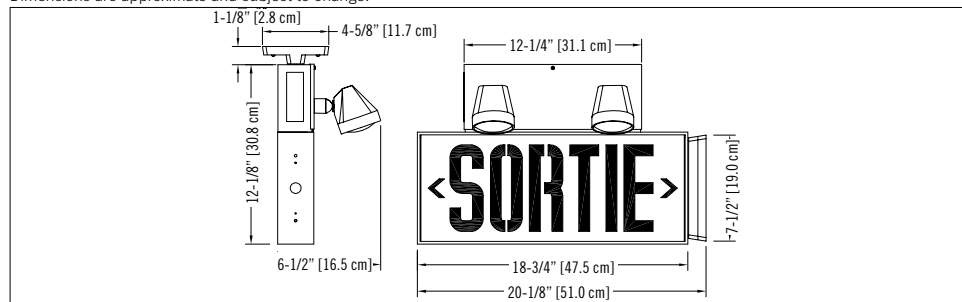
The equipment shall be **Ready-Lite®** Model: \_\_\_\_\_.

## WIRE GUARDS

460.0081-RL	wall mount
460.0060-RL	ceiling mount

## DIMENSIONS

Dimensions are approximate and subject to change.



## POWER CONSUMPTION AND UNIT RATING

MODEL	AC SPECS	WATTAGE CAPACITY					
		30MIN	1H00	1H30	2H00	4H00	
Sortie Sign Module		less than 2W	-	-	-	-	-
SM18-6V	120/347VAC	0.15/0.05 A	18	10	7	6	3
SM36-6V		0.15/0.05 A	36	21	15	12	6
SM72-6W		0.18/0.07 A	72	42	30	24	12
SM36-12V		0.18/0.07 A	36	21	15	12	6
SM72-12V		0.15/0.05 A	72	42	30	24	12

## ORDERING INFORMATION

SERIES	#OF HEADS	HEAD STYLE AND WATTAGE	MOUNTING/FACES	VOLTAGE	HOUSING COLOUR	OPTIONS
SM18= 6V-18W* SM36= 6V, 12V-36W SM72= 6V, 12V-72W	Blank= no heads 1= one head 2= two heads	LD1= MR16 LED, 6V-4W LD2= MR16 LED, 6V-5W LD7= MR16 LED, 12V-4W LD9= MR16 LED, 12V-5W LD10= MR16 LED, 12V-6W	CS5100= single face, universal mounting CS5200= double face, universal mounting	Blank= 120/347VAC, 6VDC L062= 277VAC, 6VDC L12U= 120/347VAC, 12VDC L122= 277VAC, 12VDC	Blank= factory white BK= black BA= brushed aluminum* TA= textured aluminum*	Blank= no options AD= auto-diagnostics* ADN= auto-diagnostics, non audible* NEX= NEXUS® system interface* NEXRF= wireless NEXUS® system interface* D3= time delay (15 mins.)
*Available in 6V only		Other styles available consult your sales representative			*Black heads	*Not available for 6V-72W *Not all options available with NEXUS® System. Please consult your sales representative

EXAMPLE: SM182LD1CS5100



## SM-CS5000 SERIES

Extruded Aluminum  
Combination Unit - 6/12V

## FEATURES

- Rugged extruded aluminum housing with a maximum depth of 2-1/2”
- Extruded aluminum faceplate
- White finish standard
- Standard field-selectable knockout chevrons
- Long life, energy-efficient LED light source, mounted inside the exit housing
- **ALINGAP** technology LED
- NEXUS® compatible (for more information on NEXUS®, please consult your sales representative)
- Completely self-contained unit with rechargeable sealed lead-acid battery
- Lamp heads require no tools to adjust or aim
- Provides a minimum of 30 minutes of illumination (lamp heads and exit sign) in emergency mode
- CSA certified, meets or exceeds CSA 22.2 No. 141. requirements



## RS SERIES

All Metal Pictogram Exit Sign



### TYPICAL SPECIFICATIONS

Supply and install the **Ready-Lite® RS Series** pictogram Exit Signs. The equipment shall operate with universal 2-wire AC input voltage of 120 to 347VAC at less than 2.5W and universal 2-wire DC input voltage from 6 to 24VDC at 1W consumption for single and double face signs. The sign shall be suitable for wall, end, or ceiling mount. The frame and back plate shall each be of one-piece steel construction. The faceplate(s) shall be constructed of robust clear polycarbonate panels with a border coloured factory-white. The light source shall be white light-emitting diodes (LED) and shall provide even illumination in normal and emergency operation. The pictogram Exit Sign in a Self-Powered configuration shall use a sealed Nickel-Cadmium battery of 2.4V nominal voltage and shall stay illuminated during emergency operation for at least two hours upon AC failure.

The Exit Sign shall be listed CSA 22.2 No.141-15.

The equipment shall be **Ready-Lite®** Model: \_\_\_\_\_ .

### WIRE GUARDS

460.0079-RL	wall mount
460.0027-RL	End mount
460.0028-RL	ceiling mount

### POWER CONSUMPTION

MODEL	AC SPECS		DC SPECS	
AC-only	120 to 347VAC	less than 2.5W	-	-
AC/DC standard	120 to 347VAC	less than 2.5W	6 to 24VDC	less than 1W
AC/Special DC	120 to 347VAC	less than 2.5W	36, 48, 120VDC	less than 2.5W
Two-wire 120V AC/DC	120VAC	less than 2.5W	120VDC	less than 2.5W
Self-Powered	120 to 347VAC	less than 2.5W	nickel-cadmium battery	min. 2 hours

### FEATURES

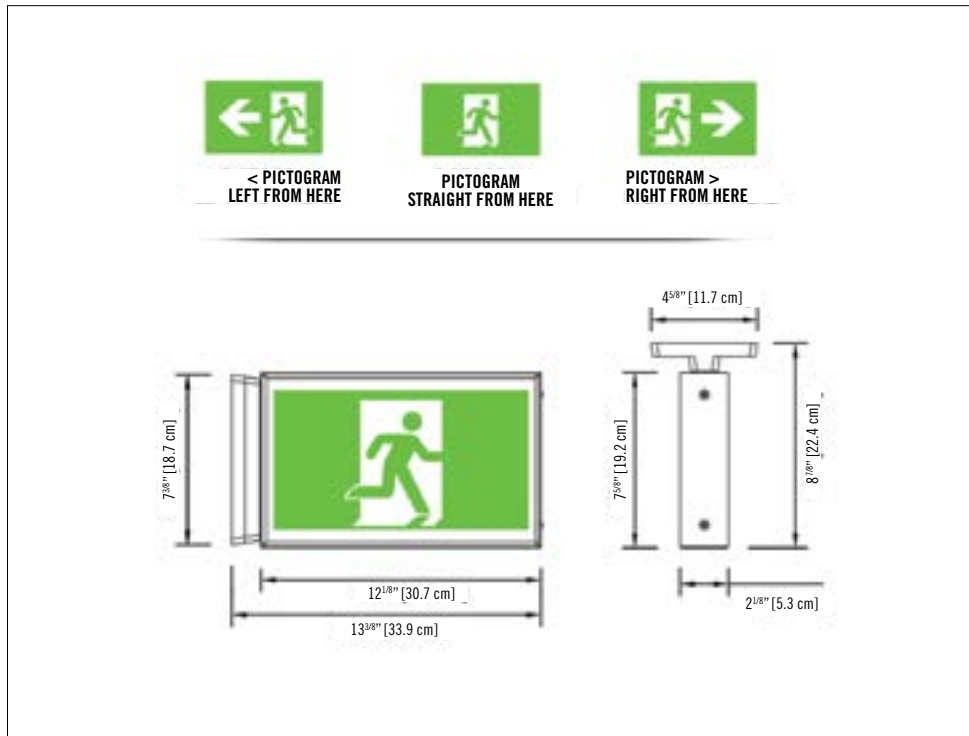
- Metal construction using Canadian cold-rolled steel
- Based on a modular design, this product comes pre-assembled for quick, easy installation
- Long-life white LED light source
- Meets or exceeds CSA 22.2 No.141-15 standard for pictogram exit signs
- Two-wire universal AC input: 120 to 347VAC; two-wire standard DC input: 6 to 24VDC
- Energy efficient – consumes less than 2.5W in AC mode and only 1W in DC-remote
- Self-Powered model delivers standard two hours of back-up lighting
- Universal mounting – end, wall or ceiling
- Easy access to wiring entry for all mounting options
- Canopy mounting system designed specifically for ease of installation
- Also available with power pack; see RSC catalogue sheet
- Special wording available (CSA C22.2 No. 250.0)

See warranty details at: [www.tnb.ca/en/brands/ready-lite](http://www.tnb.ca/en/brands/ready-lite)



## DIMENSIONS

Dimensions are approximate and subject to change.



## RS SERIES

All Metal Pictogram Exit Sign

## ORDERING INFORMATION

SERIES	FACES / MOUNTING	COLOUR	VOLTAGE	OPTIONS
RS= steel pictogram exit sign	1= single face universal mounting 2= double face universal mounting 3= universal face, universal mounting	<b>B</b> = black <b>G</b> = grey <b>W</b> = factory white  Other colours available	<b>2120</b> = 2-wires 120VAC/VDC <b>SP</b> = Self-Powered, 120 to 347VAC <b>U</b> = 120 to 347VAC; 6 to 24VDC <b>U00</b> = 120 to 347VAC only <b>U36</b> = 120 to 347VAC; 36VDC <b>U48</b> = 120 to 347VAC; 48VDC <b>U120</b> = 120 to 347VAC; 120VDC	<b>CFP</b> = Special wording <b>CFP2</b> = Special wording – 2 LED strips <b>D4</b> = Arrow Down 45° <b>D9</b> = Arrow Down <b>TP</b> = tamper-proof screws <sup>1</sup> <b>U4</b> = Arrow Up 45° <b>U9</b> = Arrow Up <b>VR</b> = vandal-resistant shield and tamper-proof screws <sup>1</sup>

<sup>1</sup> 990.0119-RL= Tamper-proof bit (sold separately)  
Specify single or double face only.

EXAMPLE: RS1WUTP



## RSC SERIES

Steel Pictogram  
Combination Unit



### TYPICAL SPECIFICATION

Supply and install **Ready-Lite® RSC Series** combination emergency light battery unit and pictogram Exit Sign. The unit shall be made of solid steel sheet metal and be suitable for universal mounting: wall, end, or ceiling. The legend housing shall have a maximum depth of 2-1/8". The legend face plate(s) shall be constructed of robust clear polycarbonate panel(s) with a border coloured factory-white. The light source shall be white light-emitting diodes (LED) and shall provide even illumination in normal and emergency operation. The power pack shall include one circuit board with test switch and pilot light for battery charger and legend LED driver. The unit shall include one 6V or 12V, maintenance-free, sealed Lead-Calcium battery and shall provide minimum 30 minutes of emergency lighting upon AC power failure. The electrical power available for emergency lights shall be 28W or up to 72W, for 6V and 50W or up to 80W for 12V, as specified. The emergency heads shall require no tools to adjust and aim. The equipment shall meet or exceed the requirements of CSA 22.2 No.141-15 standard.

The equipment shall be **Ready-Lite®** Model: \_\_\_\_\_

### FEATURES

- Universal mounting: end, wall or ceiling
- Meets or exceeds CSA 22.2 No.141-15 standard for unit equipment and pictogram Exit Signs
- Legend illuminated by long-life white LED's
- Sealed, maintenance-free, 6V or 12V Lead-Calcium battery
- Remote load capacity: 80W up to 560' of egress illumination when using LED remote heads
- Advanced diagnostics capabilities (specific load requirements)

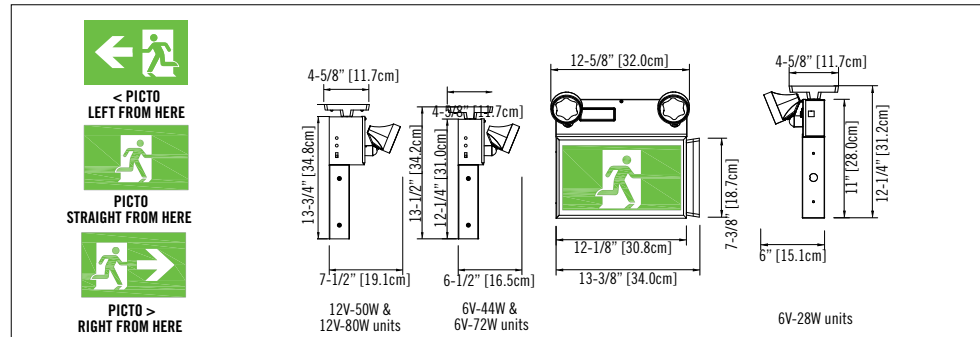
See warranty details at: [www.tnb.ca/en/brands/ready-lite](http://www.tnb.ca/en/brands/ready-lite)

### WIRE GUARDS

460.0081-RL	wall mount
460.0060-RL	ceiling mount

### DIMENSIONS

Dimensions are approximate and subject to change.



### POWER CONSUMPTION

MODEL	AC SPECS	EMERGENCY POWER AVAILABLE FOR LAMPS				
		30MIN	1H00	1H30	2H00	4H00
Pictogram Module	less than 1.5W	-	-	-	-	-
RSC28	120/347VAC	28	16	12	9	-
RSC44		44	26	18	15	7
RSC72		72	42	30	24	12
RSC-1250	0.25 / 0.09 A	50	29	21	16	8
RSC-1280		80	46	32	27	13

### ORDERING INFORMATION

SERIES	POWERPACK	HOUSING COLOUR	HEADS	HEAD STYLE AND WATTAGE	VOLTAGE	OPTIONS
RSC= pictogram steel combo exit sign	28= 6V-28W 44= 6V-44W 72= 6V-72W 1250= 12V-50W 1280= 12V-80W	B= black W= factory white	1= one head 2= two heads Blank= no heads	Blank= no heads LD1= MR16 LED, 6V-4W LD2= MR16 LED, 6V-5W LD7= MR16 LED, 12V-4W LD9= MR16 LED, 12V-5W LD10= MR16 LED, 12V-6W	Blank= 120/347VAC U2= 120/277VAC input	AD= auto-diagnostics <sup>1</sup> ADN= auto-diagnostics, non-audible <sup>1</sup> D3= time delay (15 minutes) D4= Arrow Down 45° D9= Arrow Down DF= double face sign NEX= NEXUS® system interface <sup>2</sup> NEXRF= wireless NEXUS® system interface <sup>2</sup> TP= tamper-proof screws <sup>3</sup> U4= Arrow Up 45° U9= Arrow Up

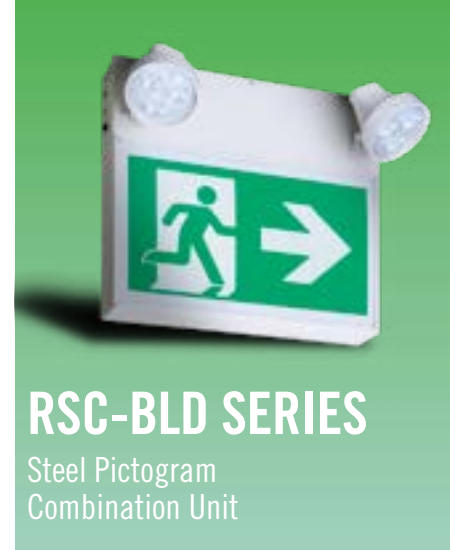
<sup>1</sup> Not available with 6V models

<sup>2</sup> Not available with 6V-72W

<sup>3</sup> 990.0119-RL= tamper-proof bit (sold separately)

EXAMPLE: RSC28W2LD1





## RSC-BLD SERIES

Steel Pictogram  
Combination Unit

### TYPICAL SPECIFICATION

Supply and install **Ready-Lite® RSC-BLD Series** combination emergency light battery unit and pictogram Exit Sign. The unit shall be made of solid steel sheet metal and be suitable for universal mounting: wall, end, or ceiling. The legend housing shall have a maximum depth of 2-1/8". The legend face plate(s) shall be constructed of robust clear polycarbonate panel(s) with a border coloured factory-white. The light source shall be white light-emitting diodes (LED) and shall provide even illumination in normal and emergency operation. The power pack shall include one circuit board with test switch and pilot light for battery charger and legend LED driver. The unit shall include one 6V, maintenance-free, sealed Lead-Calcium battery and shall provide minimum 30 minutes of emergency lighting upon AC power failure. The electrical power available for emergency lights shall be 24W. The equipment shall meet or exceed the requirements of CSA 22.2 No.141-15 standard.

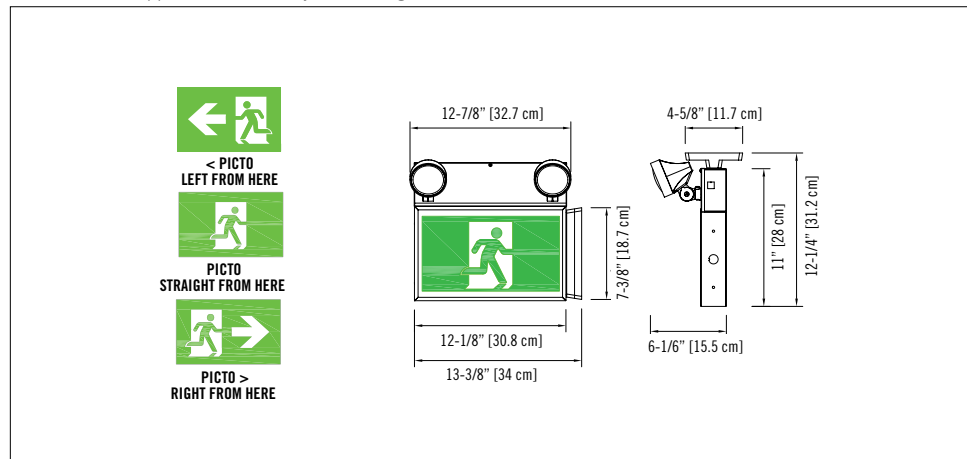
The equipment shall be **Ready-Lite®** Model: \_\_\_\_\_

### WIRE GUARDS

460.0081-RL	wall mount
460.0060-RL	ceiling mount

### DIMENSIONS

Dimensions are approximate and subject to change.



### FEATURES

- "Built-in" 3W LED heads
  - Universal mounting: end, wall or ceiling
  - Meets or exceeds CSA 22.2 No.141-15 standard for unit equipment and pictogram Exit Signs
  - Sealed, maintenance-free 6V Lead-Calcium battery
- See warranty details at: [www.tnb.ca/en/brands/ready-lite](http://www.tnb.ca/en/brands/ready-lite)

### POWER CONSUMPTION

MODEL	AC SPECS	EMERGENCY POWER AVAILABLE FOR LAMPS				
		30MIN	1H00	1H30	2H00	4H00
Pictogram Module RSC24	120/347VAC less than 1.5W 0.13 / 0.05 A	-	-	-	-	-
		24	14	10	8	4

### ORDERING INFORMATION

SERIES	VOLTAGE / CAPACITY	COLOUR	HEADS	HEAD STYLE AND WATTAGE	OPTIONS
RSC= Pictogram steel combo exit sign	24= 6V-24W	W= Factory white	1= One head 2= Two heads	BLD= Built-in LED	DF= Double face sign -2= 120/277VAC input

EXAMPLE: RSC24W2BLD



## NEXTN SERIES

All Metal Exit Sign



### TYPICAL SPECIFICATIONS

Supply and install the **Ready-Lite® NEXTN Series** Exit Signs. The equipment shall operate with universal 2-wire AC input voltage of 120 to 347VAC at less than 1.5W and universal 2-wire DC input voltage from 6 to 24VDC at less than 1.5W for single and double face signs. The sign shall be suitable for wall, end, or ceiling mount. The faceplates shall be constructed of steel and shall come standard with knockout chevrons. The frame shall be of one-piece steel construction. The light source shall be light-emitting diodes (LED). The LED lamps shall provide illumination in normal and emergency operation and shall be mounted inside the exit housing. Red LEDs shall be of **ALINGAP** technology.

An LED-sensitive diffuser shall be mounted behind the legend to provide the 6" high by 3/4" stroke letters with even illumination. The Exit Sign in a Self-Powered configuration shall stay illuminated during emergency operation for at least 90 minutes upon AC failure.

The Exit Sign shall be CSA-C860 approved and meets CSA 22.2 No. 141.

The equipment shall be **Ready-Lite®** Model: \_\_\_\_\_

### FEATURES

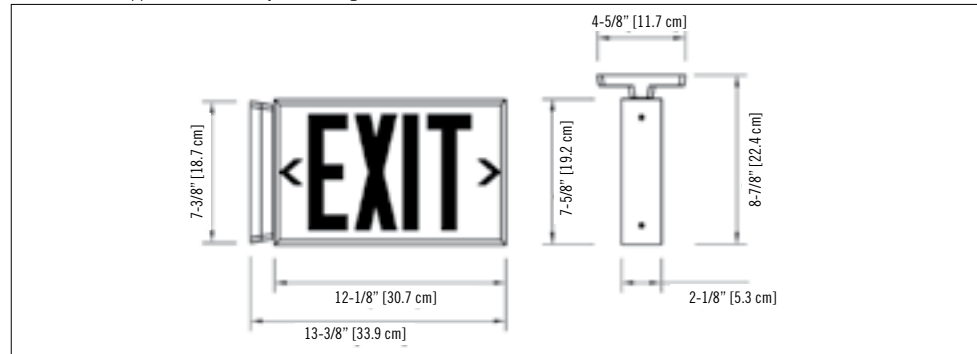
- Two-wire universal AC input
- Pre-assembled for quick, easy installation
- Universal mounting – end, wall or ceiling
- Supplied with two stencil plates, red diffusing lenses and backplate
- Easy access to wiring entry for all mounting options
- Canopy mounting system designed specifically for ease of installation
- Universal, field-selectable chevrons (knockout)
- Energy efficient – consumes less than 3W in AC or DC mode
- Normal AC and emergency DC operation – 120 to 347V AC input; 6 to 24V DC input
- Long life energy-efficient **ALINGAP** technology LED light source
- Also available with power pack; see SM-NEXTN catalogue sheet
- CSA certified, meets or exceeds CSA 22.2 No. 141-15 requirements
- Special wording available (CSA C22.2 No. 250.0)

### WIRE GUARDS

460.0079-RL	wall mount
460.0027-RL	end mount
460.0028-RL	ceiling mount

### DIMENSIONS

Dimensions are approximate and subject to change.



### POWER CONSUMPTION

MODEL	AC SPECS		DC SPECS	
AC-only, red	120 to 347VAC	less than 1.5W	-	-
AC/DC standard, red	120 to 347VAC	less than 1.5W	6 to 24VDC	less than 1.5W
AC/special DC, red	120/277/ 347VAC	less than 3W	36 or 48 or 120VDC	less than 2.5W
Self-Powered red	120 to 347VAC	less than 3W	nickel-cadmium battery	Min. 60 minutes
AC-only, green	120 to 347VAC	less than 1.5W	-	-
AC/DC standard, green	120 to 347VAC	less than 1.5W	6 to 24VDC	less than 2.5W
Self-Powered green	120 to 347VAC	less than 3W	nickel-cadmium battery	min. 90 minutes

### ORDERING INFORMATION

SERIES	VOLTAGE	COLOUR	OPTIONS
<b>NEXTN</b> = LED exit sign / universal mount	<b>-ISP</b> = self-powered, 120 to 347VAC <b>-LU</b> = 120 to 347VAC, 6 to 24VDC <b>-LU00</b> = 120 to 347VAC, no DC <sup>2</sup> <b>-LU36</b> = 120/277/347VAC, 36VDC <sup>1</sup> <b>-LU48</b> = 120/277/347VAC, 48VDC <sup>1</sup> <b>-LU120</b> = 120/347VAC, 120VDC <sup>1</sup> <b>-L120-2W</b> = 120VAC, 120VDC, 2 wires <sup>1</sup> <b>-SDN2</b> = self-powered diagnostic, Ni-Cd 120/277VAC (90 minutes) <b>-SDN3</b> = self-powered diagnostic, Ni-Cd 120/347VAC (90 minutes)	<b>Blank</b> = factory white <b>BK</b> = black <b>TA</b> = textured aluminum  Other colours available	<b>CFP</b> = Special wording <b>CFP2</b> = Special wording – 2 LED strips <b>G</b> = green legend <b>TP</b> = tamper-proof screws <sup>1</sup> <b>VRTP1</b> = vandal resistant shield with tamper-proof screws, single face* <b>VRTP2</b> = vandal resistant shield with tamper-proof screws, double face*

<sup>1</sup> For green legend, consult your sales representative.  
<sup>2</sup> Supplied as single face

<sup>1</sup> **990.0119-RL**= Tamper-proof bit (sold separately)

EXAMPLE: NEXTN-LU



## SM-NEXTN SERIES

### Metal Combination Unit

## TYPICAL SPECIFICATIONS

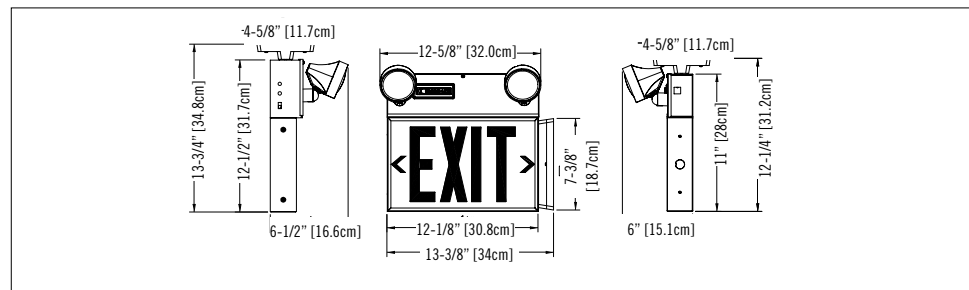
Supply and install the **Ready-Lite® SM-NEXTN Series** LED Exit Sign and power pack combination series. The exit housing and faceplates shall be constructed of steel. The Exit Sign shall have a maximum depth of 2-1/2". The faceplate(s) shall come standard with knockout chevrons. The light source for the Exit Sign shall be light-emitting diodes (LED). The LED lamps shall provide illumination in normal and emergency operation and shall be mounted inside the exit housing. Red LEDs shall be of **ALINGAP** technology. An LED sensitive diffuser shall be mounted behind the legend to provide the 6" high by 3/4" stroke letters with even illumination. The power pack shall be a completely self-contained emergency unit with its own charger and rechargeable battery. The housing shall be made of steel. The power pack shall include a test switch and high charge pilot light. The equipment shall be designed to furnish exit illumination from the normal AC source. When a power failure occurs the Exit Sign along with the emergency heads shall illuminate for a minimum of 30 minutes. The power available for emergency lights shall be 28W or as otherwise specified. The heads shall require no tools to adjust and aim. The heads will be of a durable thermoplastic construction and use 6V, 9W and 12V, 9W lamps or as otherwise specified. The Exit Sign shall be CSA-C860 approved and meets CSA 22.2 No. 141. The equipment shall be **Ready-Lite®** Model: \_\_\_\_\_.

## EXTRA FACEPLATES

005406-RL	Factory white faceplate + red diffuser	005409-RL	Factory white faceplate + green diffuser
005407-RL	Black faceplate + red diffuser	005410-RL	Black faceplate + green diffuser
005408-RL	Grey faceplate + red diffuser	005411-RL	Grey faceplate + green diffuser

## DIMENSIONS

Dimensions are approximate and subject to change.



## POWER CONSUMPTION AND UNIT RATING

MODEL	AC SPECS	WATTAGE CAPACITY				
		30MIN	1H00	1H30	2H00	4H00
Exit Sign Module	less than 1.5W	-	-	-	-	-
SM28-6V	120/347VAC	0.15/0.05 A	28	16	12	9
SM44-6V		0.15/0.05 A	44	26	18	15
SM72-6V		0.15/0.05 A	72	42	30	24
SM36-12V		less than 5W	36	21	15	12
SM72-12V		less than 5W	72	42	30	24

## FEATURES

- Dual input voltages 120/347VAC
  - Comes pre-assembled for quick, easy installation
  - Universal mounting – end, wall or ceiling
  - Easy access to wiring entry for all mounting options
  - Canopy mounting system designed specifically for ease of installation
  - Universal fields-selectable chevrons (knock out)
  - Energy efficient – complete unit consumes less than 5W
  - CSA certified, meets or exceeds CSA 22.2 No. 141 requirements
  - Long life, energy-efficient LED light source, mounted inside the exit housing, not on the faceplate
- See warranty details at: [www.tnb.ca/en/brands/ready-lite](http://www.tnb.ca/en/brands/ready-lite)

## WIRE GUARDS

460.0080-RL	wall mount
460.0060-RL	ceiling mount
460.0060-RL	end mount

## ORDERING INFORMATION

	SERIES	# OF HEADS	HEAD STYLE AND WATTAGE	SERIES	VOLTAGE	COLOUR	CHARGER TYPE	OPTIONS
6 VOLTS	SM28= 6V-28W SM44= 6V-44W SM72= 6V-72W	-1= one head -2= two heads Blank= no heads	LD1= MR16 LED, 6V-4W LD2= MR16 LED, 6V-5W	-NEXTN	Blank= 120/347VAC, 6VDC LO62= 120/277VAC, 6VDC	BK= black Blank= factory white GY= grey <sup>1</sup>	Blank= standard NEX= NEXUS® system interface <sup>1</sup> NEXRF= wireless NEXUS® system interface <sup>1</sup>	Blank= no options D3= time delay (15 minutes) G= green legend TP= tamper-proof screws <sup>1</sup>  <sup>1</sup> 990.0119-RL= tamper-proof bit (sold separately)
	SM36= 12V-36W SM72= 12V-72W	-1= one head -2= two heads Blank= no heads	LD7= MR16 LED, 12V-4W LD9= MR16 LED, 12V-5W LD10= MR16 LED, 12V-6W	-NEXTN	L12U= 120/347VAC, 12VDC L122= 120/277VAC, 12VDC	BK= black Blank= factory white GY= grey <sup>1</sup>	AD= auto-diagnostics, audible ADN= auto-diagnostics, non audible Blank= standard NEX= NEXUS® system interface NEXRF= wireless NEXUS® system interface	Blank= no options D3= time delay (15 minutes) G= green legend TP= tamper proof screws <sup>1</sup>  <sup>1</sup> 990.0119-RL= tamper-proof bit (sold separately)
							<sup>1</sup> Black heads	<sup>1</sup> 28W and 44W only

EXAMPLE: SM36-2LD10-NEXTNL12UNEXRF

\*NOTE: Supplied as single face, see extra faceplates ordering information.



## CNESTU SERIES

All Metal "Sortie" Sign

### FEATURES

- Metal construction using Canadian cold-rolled steel with baked enamel finish – will not yellow
  - Metal legend panel with red letter panel
  - Universal mounting – end, wall or ceiling
  - Easy access to wiring entry for all mounting options
  - Canopy mounting system designed specifically for ease of installation
  - Standard field-selectable directional knockout chevrons
  - Long life, energy efficient **ALINGAP** technology light source
  - Energy efficient – consumes less than 3W
  - Normal AC and emergency DC operation – 120V to 347VAC and 6V to 24VDC input
  - CSA certified, meets or exceeds CSA 22.2 No. 141. requirements
  - Long-life, energy-efficient **ALINGAP** technology LED light source completely enclosed in acrylic module
  - Also available with power pack; see R-SN catalogue sheet
  - Special wording available (CSA C22.2 No. 250.0)
- See warranty details at: [www.tnb.ca/en/brands/ready-lite](http://www.tnb.ca/en/brands/ready-lite)

### ORDERING INFORMATION

SERIES	MOUNTING	VOLTAGE	COLOUR	OPTIONS
CNEST= LED sortie	U= universal mount and face	-ISP= Self-Powered, 120 to 347VAC (60 minutes) -ISP2= Self-Powered, 120 to 347VAC (120 minutes) -LU= 120 to 347VAC, 6 to 24VDC	Blank= factory white BK= black TA= textured aluminum  Other colours available	CFP= Special wording CFP2= Special wording – 2 LED strips TP= tamper-proof screws <sup>1</sup> VRTP1= vandal resistant shield with tamper-proof screws, single face <sup>1</sup> VRTP2= vandal resistant shield with tamper-proof screws, double face <sup>1</sup>  <sup>1</sup> 990.0119-RL= Tamper-proof bit (sold separately)

EXAMPLE: CNESTU-LU

### TYPICAL SPECIFICATIONS

Supply and install the **Ready-Lite® CNESTU Series** LED "SORTIE" Exit Signs. The equipment shall operate with universal two-wire AC input voltage of 120VAC to 347VAC at less than 1.5W and universal two-wire DC input voltage from 6VDC to 24VDC at less than 1.5W for single or double face signs.

The sign shall be suitable for wall, end or ceiling mount. The faceplates shall be constructed of steel and shall come standard with knockout chevrons. The frame shall be of a one-piece steel construction. The light source shall be light emitting diodes (LED). The LED lamps shall provide illumination in normal and emergency operation and shall be mounted inside the exit housing. Red LED technology shall be **ALINGAP**. An LED-sensitive diffuser shall be mounted behind the legend to provide the 6" high by 3/4" stroke letters with even illumination.

The Exit Sign in a Self-Powered configuration shall stay illuminated during emergency operation for at least 60 minutes upon AC failure.

The Exit Sign shall be CSA-C860 approved and meets CSA 22.2 No. 141.

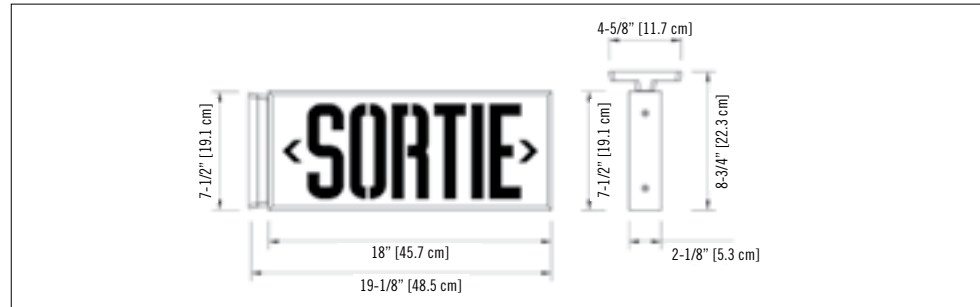
The equipment shall be **Ready-Lite®** Model: \_\_\_\_\_ .

### WIRE GUARDS

460.0057-RL	wall mount
460.0048-RL	end mount
460.0058-RL	ceiling mount

### DIMENSIONS

Dimensions are approximate and subject to change.



### POWER CONSUMPTION AND UNIT RATING

MODEL	AC SPECS		DC SPECS	
AC/DC standard	120 to 347VAC	less than 1.5W	6 to 24VDC	less than 1.5W
Self-Powered	120 to 347VAC	less than 3W	nickel-cadmium battery	60 minutes
Self-Powered	120 to 347VAC	less than 3W	nickel-cadmium battery	120 minutes



## TYPICAL SPECIFICATIONS

Supply and install the **Ready-Lite®** bilingual **CNEXTN & CNSXTN Series** LED Exit Sign. The equipment shall operate with universal AC input voltage of 120 to 347VAC at less than 3W and universal two-wire DC input voltage from 6VDC to 24VDC at less than 3.5W for single and double face signs. The frame shall be of one-piece steel construction and have a maximum depth of 2-1/8". The faceplate(s) shall be steel and come standard with knockout chevrons. The equipment shall have two (2) canopies that shall fasten for installation in ceiling-mount applications. The light source shall be light emitting diodes (LED). The LED lamps shall provide illumination in normal and emergency operation and shall be mounted inside the exit housing. Red LED technology shall be **ALINGAP**. An LED-sensitive diffuser shall be mounted behind the legend to provide the 6" high by 3/4" stroke letters with even illumination.

The Exit Sign in a Self-Powered configuration shall stay illuminated during emergency operation for at least \_\_\_\_\_ minutes upon AC failure.

The Exit Sign shall be CSA-C860 approved and meets CSA 22.2 No.141.

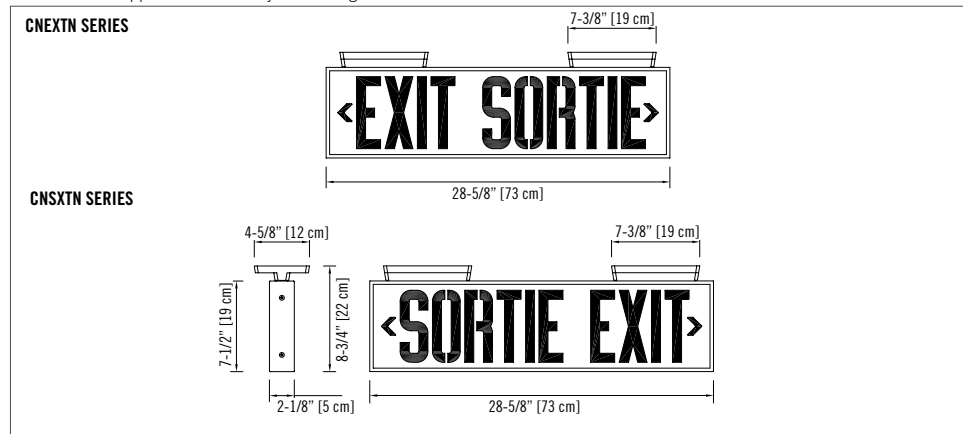
The equipment shall be **Ready-Lite®** Model: \_\_\_\_\_.

## WIRE GUARDS

460.0059-RL	wall mount
460.0092-RL	ceiling mount

## DIMENSIONS

Dimensions are approximate and subject to change.



## POWER CONSUMPTION AND UNIT RATING

MODEL	AC SPECS		DC SPECS	
AC/DC standard	120 to 347VAC	less than 3W	6 to 24VDC	less than 3.5W
AC/special DC	120/277/347VAC	less than 5W	36 or 48 or 120VDC	less than 5W
Self-Powered	120 to 347VAC	less than 6W	nickel-cadmium battery	min. 60 or 120 minutes

## ORDERING INFORMATION

LETTERING	FACES	COLOUR	VOLTAGE	OPTIONS
<b>CNEXTN</b> = exit sortie 6" letters <b>CNSXTN</b> = sortie exit 6" letters	<b>11</b> = single face <b>12</b> = double face	<b>BK</b> = black <b>GY</b> = textured grey <b>WH</b> = factory white	<b>-ISP</b> = Self-Powered, 120 to 347VAC (60 mins.) <b>-ISP2</b> = Self-Powered, 120 to 347VAC (120 min.) <b>-LI20-2W</b> = 120VAC, 120VDC, 2 wires <b>-LU</b> = 120 to 347VAC, 6 to 24 VDC <b>-LU36</b> = 120/277/347VAC - 36VDC <b>-LU48</b> = 120/277/347VAC - 48VDC <b>-LU120</b> = 120/277/347VAC - 120VDC	<b>Blank</b> = 2 canopies supplied <b>CFP</b> = Special wording <b>CFP2</b> = Special wording – 2 LED strips <b>TP</b> = tamper-proof screws <sup>1</sup> <b>VRTP</b> = vandal resistant shield with tamper-proof screws <sup>1</sup>

EXAMPLE: CNEXTN11WH-LU



## CNEXTN & CNSXTN SERIES

Bilingual Steel Sign

## FEATURES

- Single illumination module lights both single and double face Exit Signs
  - Highly energy efficient – consumes a maximum of 5.5W in AC or DC mode
  - Normal AC and emergency DC operation – 120 to 347V AC input; 6 to 24V DC input
  - Meets or exceeds CSA 22.2 No. 141 requirements.
  - Special wording available (CSA C22.2 No. 250.0)
- See warranty details at: [www.tnb.ca/en/brands/ready-lite](http://www.tnb.ca/en/brands/ready-lite)



## R-SN SERIES

All Metal "Sortie"  
Combination Unit



### TYPICAL SPECIFICATIONS

Supply and install the **Ready-Lite® R-SN Series** LED "SORTIE" Exit Sign with power pack series. The exit housing and the faceplate(s) shall be constructed of steel. The Exit Sign shall have a maximum depth of 2-1/2". The faceplate(s) shall come standard with knockout chevrons.

The light source shall be light emitting diodes (LED). Red LED technology shall be **ALINGAP**. The LED lamps shall provide illumination in normal and emergency operation and shall be mounted inside the exit housing, not on the face. An LED-sensitive diffuser shall be mounted behind the legend to provide the 6" high by 3/4" stroke letters with even illumination. The power pack shall be a completely self-contained emergency unit with its own charger and rechargeable battery. The housing shall be made of steel. The unit shall be designed to furnish exit illumination from the normal AC source. When a power failure occurs, the mounted heads along with the Exit Sign are illuminated in emergency mode for a minimum of 30 minutes. The power pack shall be furnished with a test switch and high charge pilot light. The heads shall require no tools to adjust and aim. The heads will be constructed of durable thermoplastic and use 6V, 4W lamps or as otherwise specified.

The Exit Sign shall be CSA-C860 approved and meets CSA 22.2 No.141.

The equipment shall be **Ready-Lite®** Model: \_\_\_\_\_

### WIRE GUARDS

460.0078-RL	wall mount
460.0060-RL	ceiling mount

### POWER CONSUMPTION AND UNIT RATING

MODEL	AC SPECS	WATTAGE CAPACITY				
		30MIN	1H00	1H30	2H00	4H00
Sortie Sign Module		less than 2W	-	-	-	-
R27= 6V-27W	120/347VAC	0.25/0.08 A	27	15	12	9
R50= 6V-50W		0.25/0.08 A	50	30	20	16
12R50= 12V-50W		0.25/0.08 A	50	30	20	16
12R80= 12V-80W		0.25/0.08 A	80	45	36	27

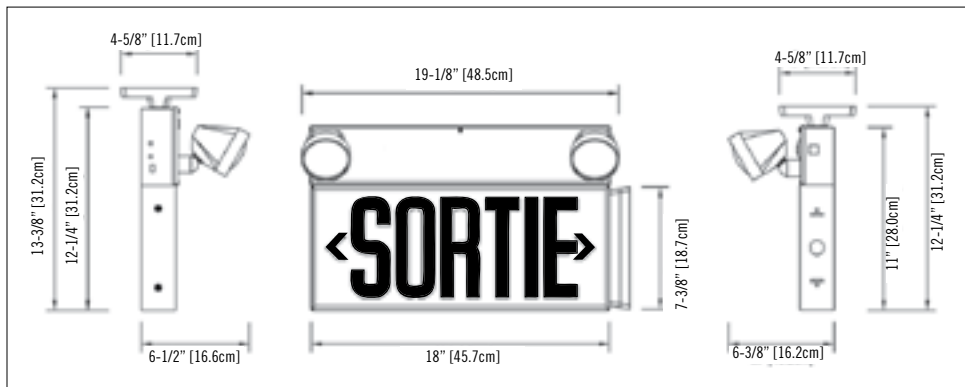
### FEATURES

- Pre-assembled for ease of installation
- Metal housing with baked enamel finish – will not yellow
- Easy access to wiring entry
- Exit Sign with long life, **ALINGAP** LED light source
- Energy efficient, consumes less than 3W in stand-by mode
- Power pack comes standard with premium Lead-Calcium battery
- Other colours and options are available upon request
- CSA certified, meets or exceeds CSA 22.2 No. 141 requirements



## DIMENSIONS

Dimensions are approximate and subject to change.



12 V  
12R80 ONLY

6 V & 12 V  
R27, R50 & 12R50

## R-SN SERIES

All Metal "Sortie"  
Combination Unit

## ORDERING INFORMATION

SERIES	# OF HEADS	HEAD STYLE AND WATTAGE	MOUNTING FACES	VOLTAGE	HOUSING COLOUR	OPTIONS
<b>12R50</b> = 12V-50W <b>12R80</b> = 12V-80W <b>R27</b> = 6V-27W <b>R50</b> = 6V-50W	<b>1</b> = one head <b>2</b> = two heads <b>Blank</b> = no heads	<b>Blank</b> = no heads <b>LD1</b> = MR16 LED, 6V-4W <b>LD2</b> = MR16 LED, 6V-5W <b>LD7</b> = MR16 LED, 12V-4W <b>LD9</b> = MR16 LED, 12V-5W <b>LD10</b> = MR16 LED, 12V-6W	<b>S1</b> = single face, wall or ceiling mount <b>SN</b> = universal steel mount canopy with two faceplates	<b>Blank</b> = 120/347VAC	<b>BK</b> = black <b>TA</b> = textured aluminum <sup>1</sup> <b>W</b> = factory white	<b>Blank</b> = no options <b>D3</b> = time delay (15 mins.) <b>TP</b> = tamper-proof screws <sup>1</sup>
Other Styles available consult your sales representative					<sup>1</sup> Black heads	<sup>1</sup> <b>990.0119-RL</b> = Tamper-proof bit (sold separately)

EXAMPLE: R272LD1S1W



## RP SERIES

All-Plastic Pictogram Exit Sign  
Commercial-grade,  
universal-mount and snap-fit



### TYPICAL SPECIFICATIONS

Supply and install the **Ready-Lite® RP** pictogram Exit Sign. The equipment shall operate with universal 2-wire AC input voltage of 120 to 347VAC at less than 2.5W and universal 2-wire DC input voltage from 6 to 24VDC at 1W consumption for single and double face signs. The sign shall come standard with a canopy and shall be suitable for wall, end, or ceiling mounting. The frame, faceplates, back plate and canopy shall each be constructed of a one-piece UV-stabilized thermoplastic material coloured factory white. The light source shall be white light-emitting diodes (LED) and shall provide even illumination in normal and emergency operation. The equipment in a Self-Powered configuration shall use a sealed Nickel-Cadmium battery of 2.4V nominal voltage. The equipment shall recharge the battery in 24 hours and stay illuminated at least two hours upon AC failure. The pictogram Exit Sign shall be listed to the CSA 22.2 No.141-15 standard.

The equipment shall be **Ready-Lite®** Model: \_\_\_\_\_ .

### FEATURES

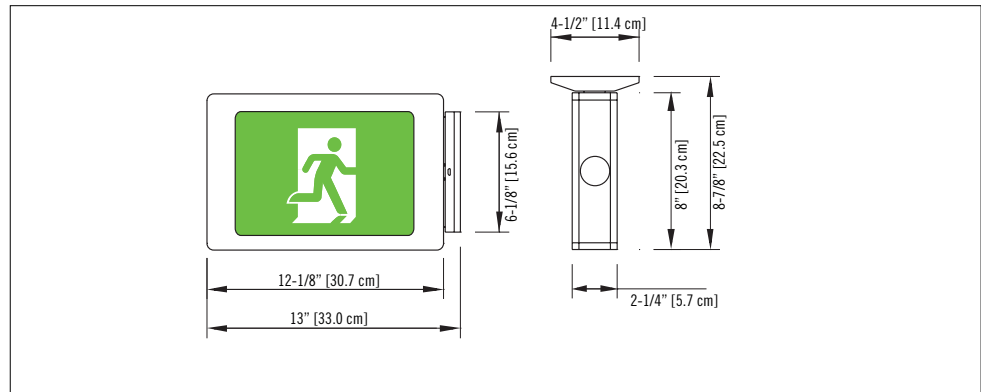
The **Ready-Lite® RP Series** is a compact pictogram Exit Sign with an all-in-one, snap-fit design. Easy to install and affordable, the **RP Series** Exit Sign is ideally suited for commercial applications, especially those in which large numbers of Exit Signs are required.

- Durable factory white, thermoplastic housing
- Universal mounting: wall-, end-, or ceiling-mount
- Long-life white LED light source
- Certified CSA 22.2 No.141-15 for pictogram safety signs
- Two-wire universal AC input: 120 to 347VAC; two-wire standard DC input: 6 to 24VDC
- Energy efficient – consumes less than 2.5W in AC mode and only 1W in DC-remote
- Self-Powered model delivers standard two hours of back-up lighting
- Optional vandal-proof shield and tamper-proof screws
- Special wording available (CSA C22.2 No. 250.0)

See warranty details at: [www.tnb.ca/en/brands/ready-lite](http://www.tnb.ca/en/brands/ready-lite)

### DIMENSIONS

Dimensions are approximate and subject to change.



### POWER CONSUMPTION AND UNIT RATING

MODEL	AC SPECS		DC SPECS	
AC only	120 to 347VAC	less than 2.5W	-	-
AC/DC standard	120 to 347VAC	less than 2.5W	6 to 24VDC	less than 1.5W
AC/Special DC	120 to 347VAC	less than 2.5W	36, 48, 120VDC	less than 2.5W
Two-wire 120V AC/DC	120VAC	less than 2.5W	120VDC	less than 2.5W
Self-Powered	120 to 347VAC	less than 3W	nickel-cadmium battery	min. 2 hours

### ORDERING INFORMATION

SERIES	FACES/MOUNTING	ENCLOSURE COLOUR	VOLTAGE	OPTIONS
RP= plastic pictogram	1= single face, universal mounting 2= double face, universal mounting 3= universal face, universal mounting	B= black W= factory white	24= 2-wire 6 to 24VDC 2120= 2-wire 120VAC/VDC SP= 120 to 347VAC; Self-Powered U= universal 120 to 347VAC; 6 to 24VDC U00= 120 to 347VAC only U36= 120 to 347VAC; 36VDC U48= 120 to 347VAC; 48VDC U120= 120 to 347VAC; 120VDC	CFP= Special wording D4= Arrow Down 45° D9= Arrow Down TP= tamper-proof screws <sup>1</sup> U4= Arrow Up 45° U9= Arrow Up VR=vandal resistant shield with tamper-proof screws <sup>1</sup>

\* 990.01 19-RL= Tamper-proof bit (sold separately)  
<sup>1</sup> Specify single or double face only.

EXAMPLE: RP1WUVR





## ULTIMA™ SERIES

Thermoplastic Exit Sign

### TYPICAL SPECIFICATIONS

Supply and install the **Ready-Lite® Ultima™ Series** Exit Sign. The standard equipment shall operate with a dual-voltage input of 120/347VAC with less than 2W of consumption and a universal two-wire DC input voltage from 6VDC to 48VDC at less than 2.5W for single and double face signs. The exit shall be suitable for wall, end, or ceiling mount. The faceplate shall be constructed of durable high impact thermoplastic. No screws are necessary to hold the faceplate or the back plate to the housing. The faceplates shall come standard with snap in/out chevrons. The frame shall consist of one-piece factory white thermoplastic. The light source shall be light emitting diodes (LEDs). The LEDs shall provide illumination in normal and emergency operation and shall be mounted inside the exit housing. Red LED technology shall be **ALINGAP**. An LED-sensitive diffuser shall be mounted in front of the LEDs to provide the 6" high by 3/4" stroke letters with even illumination. The Exit Sign shall be C860 approved. The Exit Sign in a Self-Powered configuration shall be equipped with a sealed, maintenance-free Nickel-Cadmium battery. The equipment shall recharge the battery in 24 hours and stay illuminated at least 90 minutes upon AC failure. The Self-Powered model equipped with advanced diagnostic shall self-test by simulating a power failure for one minute every 30 days, 30 minutes every 60 days and 90 minutes every 360 days. A diagnostic circuit shall continuously monitor the performance of the battery, charger module and LED lamps. Upon failure detection the system shall display the error on the AC pilot lamp, which will change color from green to red and will flash with a specific code. The red light shall be steady-on in case of "Battery Disconnect"; it shall flash with one blink for "Battery failure", two blinks for "Charger failure" and four blinks for "LED lamp failure". A label with the diagnostic legend shall be visible next to the pilot light. CSA-C860 Approved. The equipment shall be **Ready-Lite®** Model: \_\_\_\_\_.

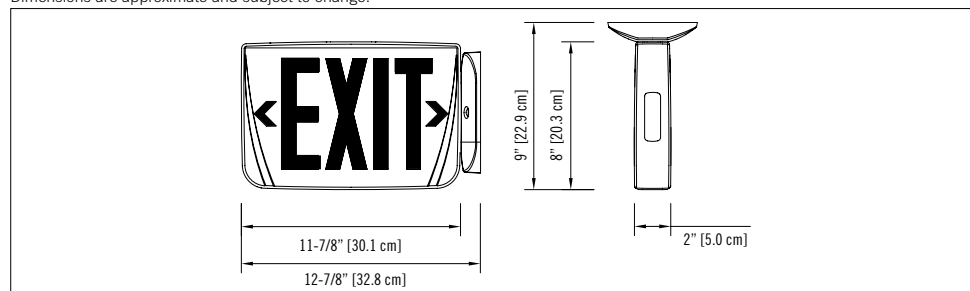


### WIRE GUARDS

460.0079-RL	wall mount
460.0027-RL	end mount
460.0028-RL	ceiling mount

### DIMENSIONS

Dimensions are approximate and subject to change.



### POWER CONSUMPTION AND UNIT RATING

MODEL	AC SPECS		DC SPECS	
AC only	120/347VAC	less than 2.5W	-	-
AC/DC remote	120/347VAC	less than 2W	6 to 48VDC	less than 1.5W
Self-Powered	120/347VAC	less than 3.5W	nickel-cadmium battery	minimum 90 minutes
self-powered with diagnostic	120/347VAC	less than 3W	nickel-cadmium battery	minimum 90 minutes

### ORDERING INFORMATION

SERIES	COLOUR	UNIT CAPACITY	VOLTAGE	LEGEND COLOUR	OPTIONS
ULT= LED plastic universal exit	B= black W= factory white	AC= AC only NEX= NEXUS® system interface <sup>1</sup> NEXRF= wireless NEXUS® system interface <sup>1</sup> SDN= Self-Powered diagnostic Ni-Cd SPN= Self-Powered Ni-Cd UD= 120/277 or 120/347VAC & 6 to 48VDC	2= 120/277VAC 3= 120/347VAC Blank= dual AC circuit only	G= green G1= green single face <sup>1</sup> G2= green double face <sup>1</sup> R= red R1= red single face <sup>1</sup> R2= red double face <sup>1</sup>	BA= brushed aluminum stencil CFP= Special wording TP= tamper-proof screws <sup>1</sup> VRTP= vandal resistant shield with tamper-proof screws <sup>1</sup>

<sup>1</sup> Not all options available with NEXUS® system. Please consult your sales representative

<sup>1</sup> Specify number of faces for TP & VRTP

\*990.0119-RL= Tamper-proof bit (sold separately)  
<sup>1</sup> Specify single or double face

EXAMPLE: ULTWAC3R

### FEATURES

- Durable, injection-molded, thermoplastic housing
- Long-life, energy-efficient **ALINGAP** LED light source
- Universal mounting - supplied standard with two stencil plates, red diffusing lens and backplate
- Universal, field-selectable snap in/out chevrons
- Available for wall, end or ceiling mounting
- Energy efficient – consumes less than 3.5W
- Normal AC and emergency DC operation with dual AC input of 120V/347V and universal DC input of 6V to 48V
- Comes with the **Ready-Lite®** EZ2 canopy for quick and easy installation – see page 94 for more information
- CSA certified, meets or exceeds CSA 22.2 No. 141 requirements
- Special wording available (CSA C22.2 No. 250.0)



# ULTIMA™ SERIES

Thermoplastic Pictogram  
Combination Unit

## FEATURES

The **Ultima™** Series of combination units (unit equipment and pictogram exit sign) are designed to complement designer's look and ease of installation with performance and cost-competitiveness.

- One-pack combination of battery unit and Pictogram Sign, a compact and contemporary design
- Durable injection-molded thermoplastic housing with push-to-snap design
- Available in single or double face configurations both with means for ceiling mounting
- Supplied standard with two (single face) or three pictogram films (universal face) for direction selection
- Two LED lamps, shielded by a clear polycarbonate cover
- Twin LED lights provide up to 89 feet of egress illumination on a 6-foot wide path
- Sealed, maintenance-free, Lead-Calcium or Nickel-Metal-Hydride batteries
- Remote load capacity: one unit equipment with LED remote lights covers up to 712 feet (217m) of egress illumination
- Dual voltage input: 120/347VAC or 120/277VAC
- Comes standard with non-audible auto-diagnostics
- Optional vandal-resistant shield with tamper-proof screws
- Certified CSA C22.2 No.141
- Optional: Nexus® Compatible
- Advanced diagnostics capabilities (specific load requirements)

See warranty details at: [www.tnb.ca/en/brands/ready-lite](http://www.tnb.ca/en/brands/ready-lite)

## TYPICAL SPECIFICATIONS

Supply and install the **Ready-Lite® Ultima™ Series** combination of unit equipment and pictogram exit sign. The unit frame and face plates shall be made of injection-molded thermoplastic. The faceplates shall feature a uniformly illuminated legend. The light source shall be long-life white light-emitting diodes (LED). The unit shall be equipped with two emergency heads with tool-less adjustable swivels and long-life LED lamps of \_\_\_ V and \_\_\_ W. Each lamp shall be protected by a snap-on, shock-absorbent, transparent polycarbonate cover.

The AC input voltage shall be standard 120/347VAC 60Hz. The unit shall be equipped with a test switch and a green pilot light, located on the face plate above the pictogram legend. The battery charger shall be driven by a micro-controller. All electronic circuitry (charger, LED driver, signage LED's) shall be installed on a single printed circuit board PCB. The unit equipped with self-testing / self-diagnostic features shall automatically self test for one minute every 30 days, 10 minutes in the 6th month and 30 minutes annually. When a fault is detected, the bi-color pilot-light shall turn from green to red and shall flash following a particular code. The code description shall be displayed on a label next to the pilot light to identify the failure type: battery, charger circuitry, LED lamps for signage, or emergency lights.

The combination unit shall meet or exceed the standard CSA C22.2 No.141-15.

The Pictogram combo unit shall be **Ready-Lite®** Model: \_\_\_\_\_ .



## WIRE GUARDS

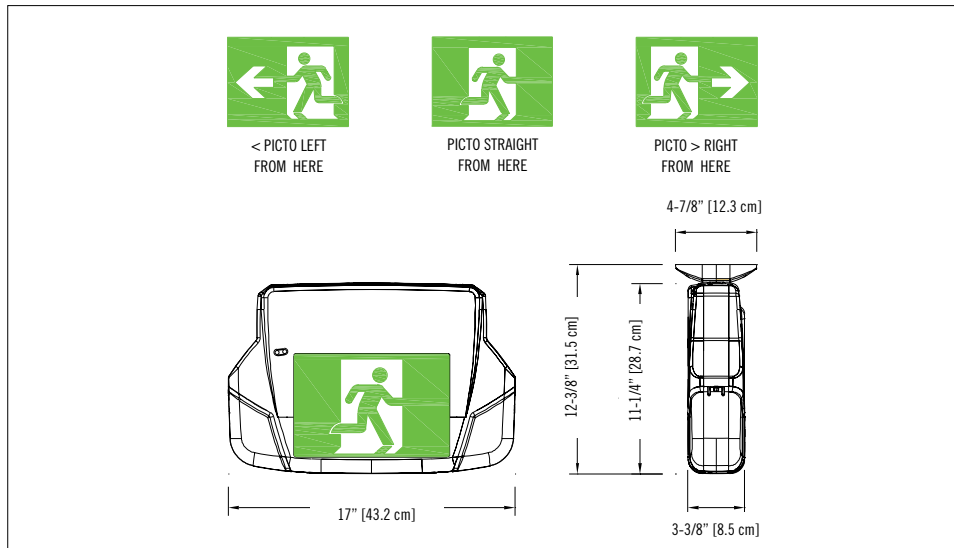
460.0078-RL	wall mount
-------------	------------

## POWER CONSUMPTION

MODEL	AC SPECS	WATTAGE CAPACITY				
		30MIN	1H00	1H30	2H00	4H00
Pictogram Sign Module	less than 4W	-	-	-	-	-
L20	120/347VAC	25	15	12	8	-
L50		50	30	24	16	8
12L50		50	30	24	16	8
12H5	0.24/0.08 A	50	36	24	18	9

## DIMENSIONS

Dimensions are approximate and subject to change.



## ULTIMA™ SERIES

Thermoplastic Pictogram Combination Unit

## ORDERING INFORMATION

POWERPACK	# OF HEADS	HEAD STYLE/ WATTAGE	FACES/MOUNTING	VOLTAGE	COLOUR	CHARGER TYPE	OPTIONS
<b>12L50</b> = 12V-50W Lead-Calcium <b>12H5</b> = 12V-50W NiMH <b>L20</b> = 6V-25W Lead-Calcium <b>L50</b> = 6V-50W Lead-Calcium	<b>-2</b> = two heads <b>Blank</b> = no heads	<b>Blank</b> = no heads <b>LD1</b> = MR16 LED, 6V-4W <b>LD2</b> = MR16 LED, 6V-5W <b>LD7</b> = MR16 LED, 12V-4W <b>LD9</b> = MR16 LED, 12V-5W <b>LD10</b> = MR16 LED, 12V-6W	<b>-ULTP1</b> = single face ceiling or wall mount <b>-ULTP1N</b> = single face wall mount (less canopy) <b>-ULTP2</b> = double face ceiling mount <b>-ULTPU</b> = universal, two faces backplate and canopy	<b>2</b> = 120/277VAC <b>3</b> = 120/347VAC	<b>B</b> = black <b>W</b> = factory white	<b>AD</b> = auto-diagnostics <b>Blank</b> = auto-diagnostics, non-audible <b>NEX</b> = NEXUS® system interface <b>NEXRF</b> = wireless NEXUS® system interface	<b>Blank</b> = no options <b>D3</b> = time delay (15 minutes) <b>D4</b> = Arrow Down 45° <b>D9</b> = Arrow Down <b>TP</b> = tamper-proof screws <sup>1</sup> <b>U4</b> = Arrow Up 45° <b>U9</b> = Arrow Up <b>VR</b> = polycarbonate shield with tamper-proof screws <sup>1</sup>

\*091957-RL= tamper-proof bit (sold separately)

<sup>1</sup> VR+TP not available with -ULTPU

EXAMPLE: L20-2LD10-ULTP13W



## ULTIMA™ SERIES

Thermoplastic  
Combination Unit



### TYPICAL SPECIFICATIONS

Supply and install the **Ready-Lite® Ultima™ Series** combination emergency light battery unit and Exit Sign. The standard equipment shall operate with a dual voltage input of 120/347VAC. The unit shall be suitable for wall or ceiling mount. The unit frame and face plates shall be made of injection-molded durable high-impact thermoplastic and come standard with snap in/out chevrons. No screws are necessary to hold the faceplate or backplate to the housing. The one-piece thermoplastic frame is molded in white (optional black). The faceplates shall feature a uniformly illuminated legend.

The light source shall be light emitting diodes (LED) and shall provide illumination in normal and emergency operation and shall be mounted inside the combination housing. Red LED technology shall be **ALINGAP**. An LED-sensitive diffuser shall be mounted behind the legend to provide the 6" high by 3/4" stroke letters with even illumination. The unit shall be equipped with two emergency heads with tool-less adjustable swivels (lamps of 12W or less) and long-life LED type lamps of \_\_\_ V and \_\_\_ W. Each lamp shall be protected by a snap-on, shock-absorbent, transparent polycarbonate cover.

The unit shall be equipped with a test switch and a green pilot light, located on the face plate above the EXIT legend. The battery charger shall be driven by a micro-controller. All electronic circuitry (charger, LED driver, LED's) shall be installed on a single printed circuit board PCB. The unit equipped with self-testing / self-diagnostic features shall automatically self test for one minute every 30 days, 10 minutes in the 6th month and 30 minutes annually. When a fault is detected, the bi-colour pilot light shall turn from green to red and shall flash, identifying the source of the failure: battery, charger circuitry, lamp load, LED strip.

The Exit Sign module shall be CSA-C860 approved.

The combo unit shall be **Ready-Lite®** Model: \_\_\_\_\_ .

### FEATURES

The **Ultima™ Series** of combination units (emergency light battery unit with an Exit Sign) are designed with aesthetics, ease of installation and performance in mind.

- One-pack combination of battery unit and Exit Sign, a compact and contemporary design
  - Durable injection-molded thermoplastic housing with push-to-snap design
  - Available in single or double face configurations both with means for ceiling mounting
  - Comes with the **Ready-Lite® Ultima™** EZ2 canopy and field-selectable snap chevrons for quick and easy installation
  - Exit Sign module illuminated by long-life **ALINGAP** red LEDs
  - Two LED lamps, shielded by a clear polycarbonate cover
  - LED lamps with life expectancy 50,000+ hours
  - Sealed, maintenance-free, Lead-Calcium or Nickel-Metal-Hydride batteries
  - Dual voltage input: 120/347VAC or 120/277VAC.
  - Optional vandal-resistant shield with tamper-proof screws
  - Certified CSA C22.2 No.141
  - Optional advance diagnostics circuitry available
  - Advanced diagnostics capabilities (specific load requirements)
- See warranty details at: [www.tnb.ca/en/brands/ready-lite](http://www.tnb.ca/en/brands/ready-lite)



### WIRE GUARDS

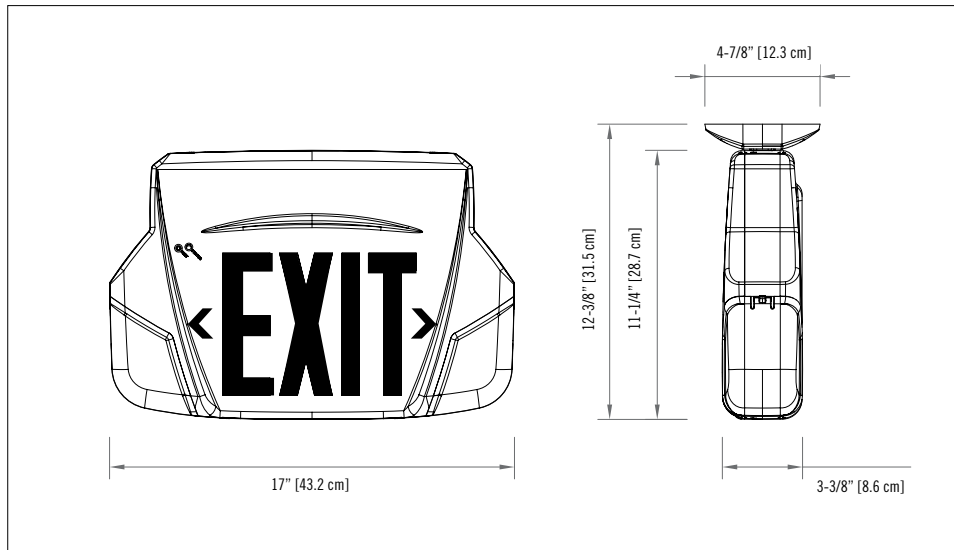
460.0078-RL	wall mount
-------------	------------

### POWER CONSUMPTION

MODEL	AC SPECS	WATTAGE CAPACITY				
		30MIN	1H00	1H30	2H00	4H00
Exit Sign Module	less than 2W	-	-	-	-	-
L20	120/347VAC	20	15	12	8	-
L50		50	30	24	16	8
12L50	0.22/0.08 A	50	30	24	16	8
12H5		50	36	24	18	9

## DIMENSIONS

Dimensions are approximate and subject to change.



## ULTIMA™ SERIES

Thermoplastic  
Combination Unit

## ORDERING INFORMATION

POWERPACK	# OF HEADS	HEAD STYLE/ WATTAGE	FACES/MOUNTING	VOLTAGE	COLOUR	LEGEND	OPTIONS
<b>12L50</b> = 12V-50W lead cal <b>12H5</b> = 12V-50W NiMH <b>L20</b> = 6V-20W lead cal <b>L50</b> = 6V-50W lead cal	<b>-2</b> = two heads <b>Blank</b> = no heads	<b>Blank</b> = no heads <b>LD1</b> = MR16 LED, 6V-4W <b>LD2</b> = MR16 LED, 6V-5W <b>LD7</b> = MR16 LED, 12V-4W <b>LD9</b> = MR16 LED, 12V-5W <b>LD10</b> = MR16 LED, 12V-6W	<b>-ULT1</b> = single face ceiling or wall mount <b>-ULT1N</b> = single face wall mount (less canopy) <b>-ULT2</b> = double face ceiling mount <b>-ULTU</b> = universal, 2 faces backplate and canopy	<b>2</b> = 120/277VAC <b>3</b> = 120/347VAC	<b>B</b> = black <b>W</b> = factory white	<b>Blank</b> = red legend <b>G</b> = green legend	<b>AD</b> = auto-diagnostics <b>ADN</b> = auto-diagnostics, non-audible <b>BA</b> = brushed aluminum exit stencil <b>Blank</b> = no options <b>D3</b> = time delay (15 minutes) <b>NEX</b> = NEXUS® system interface <sup>1</sup> <b>NEXRF</b> = wireless NEXUS® system interface <sup>1</sup> <b>TP</b> = tamper-proof screws <sup>2</sup> <b>VR</b> = polycarbonate shield with tamper-proof screws <sup>2</sup>

EXAMPLE: L20-2LD7-ULT13W

<sup>1</sup> Not all options available with NEXUS® System. Please consult your sales representative

<sup>2</sup> **091957-RL**= tamper-proof bit (sold separately)  
VR is not available with -ULTU



## RCS SERIES

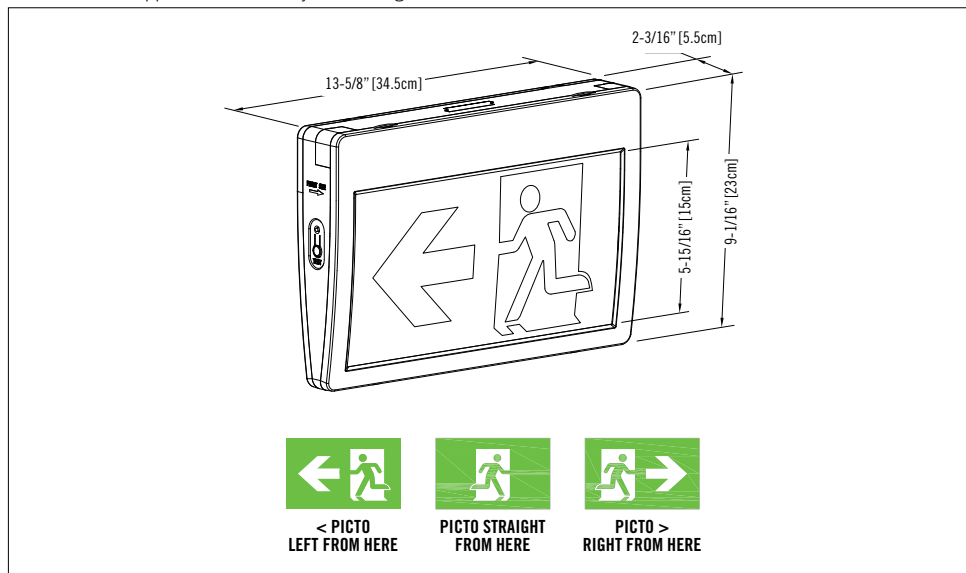
Plastic Pictogram Exit Sign

### FEATURES

- Energy efficient, long-life white LEDs consuming 4.2W at normal operation
- Dual voltage input capability 120/347VAC
- Automatic, temperature compensated, pulse type charger
- Low voltage disconnect prevents over discharge of battery
- Automatic brownout protection
- Battery lock-out prevents discharge during installation
- Comes standard with three pictogram legends for direction selection
- Red LED charger monitor
- Injection-molded off-white thermoplastic ABS housing
- Fast and easy installation with snap-together design
- Ceiling, wall or end mount installation
- CSA C22.2 No.141-15 listed
- Comes standard with one (1) year warranty
- Selection of AC/DC, 6 to 24VDC or Self-Powered using a 3.6V Nickel-Cadmium battery

### DIMENSIONS

Dimensions are approximate and subject to change.



### POWER CONSUMPTION AND UNIT RATING

MODEL	AC SPECS			DC SPECS	
RCSC-2LEDWR	120/347VAC	0.5/0.4 A	4.2/3.6W	Ni-Cd battery	min. 90 minutes

\*NOTE: The RCS Family cannot be combined with other Ready-Lite® Products on the same emergency A.C. circuit.



### ORDERING INFORMATION

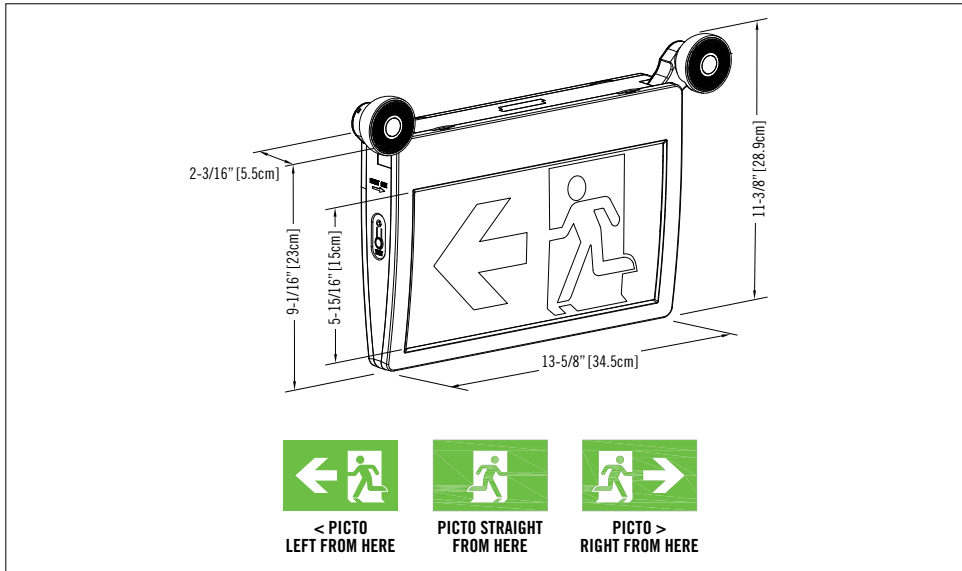
SERIES	VOLTAGE
RCS	-U= 120/347VAC, 6 to 24VDC -ISP= 120/347VAC, Self-Powered (90 mins.)

EXAMPLE: RCS-ISP



## DIMENSIONS

Dimensions are approximate and subject to change.



## RCSC SERIES

### Plastic Pictogram Exit Sign

## FEATURES

- Energy efficient, long-life white LEDs consuming 4.2W at normal operation
- Dual voltage input capability 120/347VAC
- Automatic, temperature compensated, pulse type charger
- Low voltage disconnect prevents over discharge of battery
- Automatic brownout protection
- Battery lock-out prevents discharge during installation
- Comes standard with three pictogram legends for direction selection
- Red LED charger monitor
- Injection-molded off-white thermoplastic ABS housing
- Fast and easy installation with snap-together design
- Ceiling, wall or end mount installation
- CSA C22.2 No.141-15 listed
- Comes standard with one (1) year warranty
- 3.6V Nickel-Cadmium battery provides minimum 90 minutes of emergency lighting
- Fully adjustable LED glare-free lens
- 3.6V 1W long life LED light source, 6000K
- Adjustable light heads for forward or backward lighting

## POWER CONSUMPTION AND UNIT RATING

MODEL	AC SPECS			DC SPECS	
AC/DC-remote Self-Powered	120/347VAC	0.5/0.4 A	4.2/3.6W	6 to 24VDC Ni-Cd battery	less than 1.5W min. 90 minutes

\*NOTE: The RCS Family cannot be combined with other Ready-Lite® Products on the same emergency A.C. circuit.



## ORDERING INFORMATION

SERIES	VOLTAGE	LAMP
RCSC	Blank= 120/347VAC	-2LEDWR= 2X 1W LED

EXAMPLE: RCSC-2LEDWR



## RN10 Series

NEMA-3R Rated  
Pictogram Exit Sign; 10" Legend

### FEATURES

- NEMA-3R rated
- Gasketed fiberglass housing designed specifically for industrial applications
- Sealed, vandal-resistant polycarbonate faceplate
- Suitable for cold-weather: -20°C (-4°F) for AC/DC
- Wall or ceiling mounting; wall or ceiling brackets available for easy installation
- Normal AC and emergency DC operation 120 to 347VAC input; 6 to 24 DC input
- Certified for 160' viewing distance. Ideal for large facilities with high ceilings
- Supplied standard with two pictogram films for direction selection
- Meets or exceeds CSA 22.2 No.141-15  
See warranty details at: [www.tnb.ca/en/brands/ready-lite](http://www.tnb.ca/en/brands/ready-lite)

### TYPICAL SPECIFICATIONS

Supply and install the **Ready-Lite RN10 Series** of pictogram exit signs. The equipment shall be NEMA-3R rated operate with universal two-wire AC input voltage from 120VAC to 347VAC a less than 3W per face and universal two-wire DC input voltage from 6VDC to 24VDC at less than 3W per face. The housing shall be of grey fiberglass, gasketed, specially designed for industrial environment. The sealed front cover shall be constructed of heavy-duty vandal-resistant transparent polycarbonate of 4mm thickness and shall be bent around the back box for increased rigidity. The front cover will feature an illuminated legend with a running man pictogram.

The equipment shall be suitable for wall or ceiling mount and be designed specifically for high abuse areas, wet locations, dust and oil-tight applications.

The equipment shall be NEMA-3R and CSA 22.2 No. 141-15 certified.

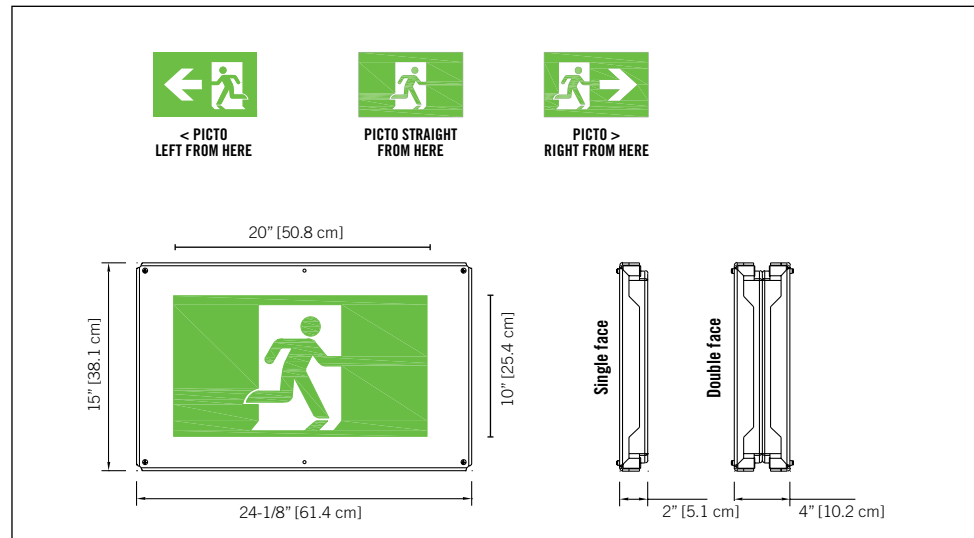
The equipment shall be **Ready-Lite Model:** \_\_\_\_\_.

### WIRE GUARDS

460.0103-R	Wall Mount
460.0104-R	Ceiling Mount

### DIMENSIONS

Dimensions are approximate and subject to change.



### POWER CONSUMPTION AND UNIT RATING

MODEL	AMBIENT TEMPERATURE	AC SPECS (SINGLE FACE)*			DC SPECS	
AC-only	-40°C ... +40°C	120 to 347Vac	0.06 to 0.18 A	Less than 3W	—	—
AC/DC	-40°C ... +40°C	120 to 347Vac	0.06 to 0.18 A	Less than 3 W	6 to 24Vdc	Less than 3 W
Self-Powered	25°C ± 5°C	120 to 347Vac	0.13 to 0.38 A	Less than 7 W	Ni-Cd battery	120 minutes

\* X2 for double face

### ORDERING INFORMATION

SERIES	FACES	VOLTAGE
RN10= 10" Pictogram Nema-3R Exit Sign	1= single face 2= double face	D9= Arrow Down D4= Arrow Down 45° SP= Self-Powered 120 to 347VAC (25°C ± 5°C), 120 minutes U= 120 to 347VAC, 6 to 24VDC (-40 to +40°C) U00 = AC Only 120 to 347VAC (-40 to +40°C) U4= Arrow Up 45° U9= Arrow Up

EXAMPLE: RN102U00





## RN SERIES

NEMA-4X & NSF Certified Pictogram Sign

### TYPICAL SPECIFICATIONS

Supply and install the **Ready-Lite® RN Series** pictogram Exit Signs. The equipment shall be certified for NEMA-4X and designed specifically for high abuse areas, wet locations, and cold weather applications. The equipment frame shall be of industrial grade polyvinyl chloride with a gasket around lenses and canopy. The faceplate(s) shall be constructed of heavy-duty vandal-resistant polycarbonate and feature an even illuminated legend. Each face plate shall come standard with two legend films for pictogram and direction selection. The light source shall be white light-emitting diodes (LED). The pictogram Exit Sign shall operate with universal 2-wire AC input voltage of 120 to 347VAC at less than 2.5W and universal 2-wire DC input voltage from 6 to 24VDC at less than 1W for single and double face signs. The Self-Powered model shall include a concealed green pilot light and magnet-sensitive test switch, shall use a sealed Nickel-Cadmium battery of 2.4V nominal voltage and shall stay illuminated during emergency operation for at least two hours upon AC failure. When specified, the Self-Powered model shall include auto-test functions: it shall execute automatic tests for 5 minutes every 30 days, 30 minutes every 60 days and two hours annually. When a fault is detected, the bi-colour pilot light shall turn from green to red and flash following a particular code. The code description shall be visible on a label next to the pilot light to identify the failure type: battery, charger circuitry, or LED lamps.

The pictogram Exit Sign shall be listed CSA 22.2 No.141-15 standard.

The equipment shall be **Ready-Lite®** Model: \_\_\_\_\_



### WIRE GUARDS

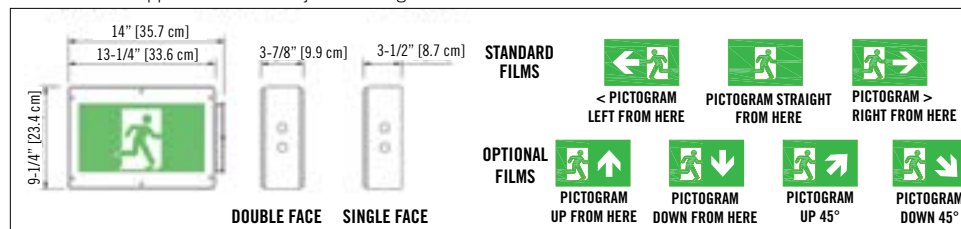
460.0079-RL	wall mount
460.0027-RL	end mount
460.0028-RL	ceiling mount

### POWER CONSUMPTION AND UNIT RATING

MODEL	AC SPECS		DC SPECS	
AC-only	120 to 347VAC	less than 2.5W	-	-
AC/DC standard	120 to 347VAC	less than 2.5W	6 to 24VDC	less than 1W
AC/Special DC	120 to 347VAC	less than 2.5W	36, 48, 120VDC	less than 2.5W
Two-wire 120V AC/DC	120VAC	less than 2.5W	120VDC	less than 2.5W
Self-Powered	120 to 347VAC	less than 3W	nickel-cadmium battery	min. 2 hours
Self diagnostic	120 / 347VAC	less than 3.5W	nickel-cadmium battery	min. 2 hours

### DIMENSIONS

Dimensions are approximate and subject to change.



### ORDERING INFORMATION

SERIES	FACES/ MOUNTING	ARROW CONFIGURATION	COLOUR	VOLTAGE	OPTIONS
RN= NEMA-4X & NSF pictogram exit sign <sup>1</sup>	1= single face 2= double face	Blank= Standard film <sup>1</sup> D4= Arrow Down 45° D9= Arrow Down U4= Arrow Up 45° U9= Arrow Up	B= black W= factory white	2120= 2-wires 120VAC/VDC NEX= NEXUS® system interface, 120/347VAC <sup>1</sup> NEXRF= wireless NEXUS® System interface, 120/347VAC <sup>1</sup> SP= self-powered, 120 to 347VAC <sup>1</sup> SPD= self-powered, auto-diagnostic, non-audible, Ni-Cd 120/347VAC SPD2= self-powered, auto-diagnostic, non-audible, Ni-Cd, 120/277VAC U= universal, 120 to 347VAC; 6 to 24VDC U00= 120 to 347VAC only U36= 120 to 347VAC; 36VDC U48= 120 to 347VAC; 48VDC U120= 120 to 347VAC; 120VDC	CFP= Special wording CW= cold-weather <sup>1</sup>

<sup>1</sup> Nema 4X certified for wall or ceiling only

<sup>1</sup> See features for standard film details

<sup>1</sup> Not available with CW

<sup>1</sup> -20°C for self-powered with diagnostic & NEXUS®, -40°C for universal 120 to 347VAC; 6 to 24VDC

EXAMPLE: RN1BSPDCW

### FEATURES

- NEMA-4X Certified
- NSF compliant for food processing
- Polymeric enclosure is fully gasketed around lens and canopy to secure against water leaks
- Sealed, heavy-duty, vandal-resistant polycarbonate face plate
- Universal mounting: wall-, end-, or ceiling-mount
- Suitable for cold weather: -40°C for AC/DC and -20°C for Self-Powered models (option: -CW)
- Tamper-resistant, concealed test switch with magnetic action
- White LED light source
- Supplied standard with two pictogram films per face, for direction selection
- Meets or exceeds CSA 22.2 No.141-15 standard for pictogram Exit Signs
- Universal AC input: two-wire 120 to 347VAC; Standard DC input: two-wire 6 to 24VDC
- Energy efficient – consumes less than 2.5W in AC or DC-remote mode
- Self-Powered models deliver two hours of back-up lighting
- Special wording available (CSA C22.2 No. 250.0)

See warranty details at: [www.tnb.ca/en/brands/ready-lite](http://www.tnb.ca/en/brands/ready-lite)



## RNC SERIES

NEMA-4X & NSF Certified  
Pictogram Combination Unit



### TYPICAL SPECIFICATIONS

Supply and install **Ready-Lite® RNC Series** combination emergency light battery unit and pictogram Exit Sign. Designed specifically for industrial environments, the equipment frame shall be of industrial grade polyvinyl chloride with gaskets around both sides of frame contour. The back plate shall be made of 1/8" thick aluminum sheet and shall include knock-outs for installation on an electrical box. The faceplate(s) shall be constructed of heavy-duty vandal-resistant clear polycarbonate and feature a uniformly illuminated pictogram legend. Each face plate shall come standard with two legend films for pictogram and direction selection. The light source shall be long-life white light-emitting diodes (LED).

The unit shall have attached a lower compartment containing two emergency heads with adjustable swivels and long-life LED lamps of \_\_\_ V and \_\_\_ W. The heads shall be installed on a shield housing made of rigid thermoplastic and shall be protected by a shock-absorbent, clear polycarbonate cover. The standard AC input voltage shall be 120/347VAC. The unit shall be equipped with a magnetic test switch and an LED pilot light protected by the clear face plate.

The unit shall perform auto-test functions managed by a micro-controller and shall automatically self-test for one minute every 30 days, 10 minutes in the 6th month and 30 minutes annually. When a fault is detected, the bi-colour pilot light shall turn from green to red and flash following a particular code. The code description shall be displayed on a label next to the pilot light to identify the failure type: battery, charger circuitry, LED lights for the signage, or emergency lights.

The combination unit shall meet or exceed the standard CSA C22.2 No.141-15.

The equipment shall be **Ready-Lite®** Model: \_\_\_\_\_.

### FEATURES

- Certified NEMA-4X for wall or ceiling mount
- NSF certified for use in food processing areas
- Meets or exceeds CSA 22.2 No.141-15 standard for pictogram Exit Signs
- Polyvinyl chloride frame, with built-in gasket to prevent water infiltration
- Sealed, vandal-resistant faceplate of polycarbonate
- Legend illuminated by long-life white LED's
- Comes standard with two pictogram films per face, for direction selection
- Two high-performance LED lamps shielded by a clear polycarbonate cover
- Optional 5W LED emergency lights provide 60' of egress illumination on a 6-foot wide path
- Sealed, maintenance-free Lead-Calcium or Nickel-Cadmium batteries
- Remote load capacity: covers with 4W LED lights 100' up to 230' of egress illumination
- Comes standard with auto-diagnostic
- Cold-weather option: -40°C (-40°F) with only 14W extra power consumption
- Advanced diagnostics capabilities (specific load requirements)

See warranty details at: [www.tnb.ca/en/brands/ready-lite](http://www.tnb.ca/en/brands/ready-lite)

#### NEMA-4X AND NSF CERTIFIED FAMILY



### WIRE GUARDS WITH HEADS

460.0078-RL	wall mount
460.0060-RL	end or ceiling mount



## RNC SERIES

NEMA-4X & NSF Certified  
Pictogram Combination Unit


### POWER CONSUMPTION

MODEL	AC SPECS	EMERGENCY POWER FOR LAMPS					
		30MIN	1H00	1H30	2H00	4H00	
Pictogram Sign Module		less than 2.5W	-	-	-	-	-
RNC-6N36	120/347VAC	0.10/0.03 A	36	30	20	16	8
RNC-6N36-CW		0.25/0.08 A	36	30	20	16	8
RNC-12N60		0.18/0.06 A	60	40	30	20	10


### DIMENSIONS

Dimensions are approximate and subject to change.


**STANDARD FILMS**



< PICTOGRAM  
LEFT FROM HERE




PICTOGRAM STRAIGHT  
FROM HERE




PICTOGRAM >  
RIGHT FROM HERE


**OPTIONAL FILMS**




PICTOGRAM  
UP FROM HERE



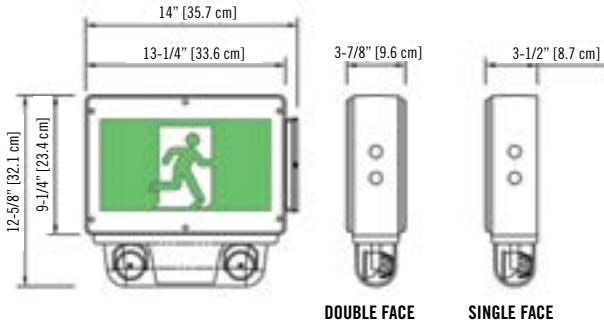
PICTOGRAM  
DOWN FROM HERE



PICTOGRAM  
UP 45°



PICTOGRAM  
DOWN 45°



### ORDERING INFORMATION

SERIES	FACES / MOUNTING <sup>1</sup>	ARROW CONFIGURATION	HOUSING COLOUR	BATTERY TYPE AND POWER	HEAD STYLE AND WATTAGE	VOLTAGE	OPTIONS
RNC= NEMA-4X & NSF pictogram exit combo unit <sup>1</sup>	1= single face 2= double face	Blank= Standard film <sup>1</sup> D4= Arrow Down 45° D9= Arrow Down U4= Arrow Up 45° U9= Arrow Up	B= black W= factory white	6N36= 6V-36W, Ni-Cd 12N60= 12V-60W, Ni-Cd	Blank= no heads <sup>1</sup> LD1= MR16 LED, 6V-4W LD2= MR16 LED, 6V-5W LD7= MR16 LED, 12V-4W LD9= MR16 LED, 12V-5W LD10= MR16 LED, 12V-6W	Blank= 120/347 VAC U2= 120/277VAC input	AD= auto-diagnostics Blank= auto-diagnostics, non-audible (standard) CW= cold-weather -40°C, only with 6V single face D3= time delay (15 mins.) NEX= NEXUS® system interface <sup>1</sup> NEXRF= wireless NEXUS® system interface <sup>1</sup>
<sup>1</sup> NEMA 4X certified for wall or ceiling only	<sup>1</sup> Universal mounting	<sup>1</sup> See features for standard film details			<sup>1</sup> Remote load must be connected.		<sup>1</sup> Not all options available with NEXUS® System. Please consult your sales representative

EXAMPLE: RNC1B12N60LD7



## TUF SERIES

Polyvinyl Chloride Exit Sign



### TYPICAL SPECIFICATIONS

Supply and install **Ready-Lite® TUF Series** LED Exit Signs. The equipment shall operate with universal two-wire AC input voltage from 120VAC to 347VAC at less than 3W and universal two-wire DC input voltage from 6VDC to 48VDC at less than 2W for single and double face signs. The equipment frame shall be of industrial grade polyvinyl chloride with a gasket around lenses and canopy designed specifically for hostile environments. The faceplate(s) shall be constructed of heavy-duty vandal-resistant polycarbonate and feature an even illuminated legend. The light source shall be light emitting diodes (LED). Red LED technology shall be **ALINGAP**. An LED-sensitive diffuser shall be mounted behind the legend to provide the 6" high by 3/4" stroke letters with even illumination. The exit shall be certified for NEMA-4X and designed specifically for high abuse areas, wet locations, and cold weather -20°C (-4°F) applications.

The Self-Powered model shall stay illuminated during emergency operation for at least 90 minutes upon AC failure and shall include a magnetic test switch and self-testing and self-diagnostic functions. The equipment shall automatically self test for 5 minutes every 30 days, 30 minutes every 60 days and 90 minutes annually. A "Service Required" lamp shall be located near the test switch and flash when a fault is detected. A two-LED diagnostic display shall be located inside the equipment and shall identify the eventual source of failure (battery, charger circuitry, or LED lamps).

The Exit Sign shall be CSA-C860 approved and meets CSA 22.2 No. 141.

The equipment shall be **Ready-Lite®** Model: \_\_\_\_\_

### NEMA-4X AND NSF CERTIFIED FAMILY



### WIRE GUARDS

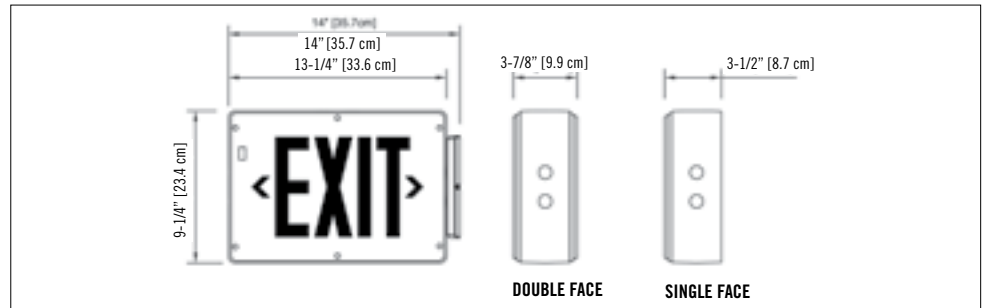
460.0079-RL	wall mount
460.0027-RL	end out
460.0028-RL	ceiling mount

### POWER CONSUMPTION AND UNIT RATING

MODEL	AC SPECS		DC SPECS	
AC/DC red	120 to 347VAC	less than 3W	6 to 48VDC	less than 2W
AC/DC green	120 to 347VAC	less than 3W	6 to 48VDC	less than 2W
Self-Powered red	120 to 347VAC	less than 3W	nickel-cadmium battery	min. 90 minutes
Self-Powered green	120 to 347VAC	less than 3W	nickel-cadmium battery	min. 90 minutes

### DIMENSIONS

Dimensions are approximate and subject to change.



### FEATURES

- NEMA-4X certified
- NSF certified for food processing
- Polyvinyl chloride enclosure is fully gasketed around lens and canopy to prevent water infiltration
- Sealed faceplate of heavy-duty, vandal-resistant polycarbonate with evenly illuminated legend
- Universal mounting: wall-, end-, or ceiling-mount
- Suitable for cold weather: -40°C on non Self-Powered sign and -20°C on Self-Powered ("CW" option)
- Tamper-resistant magnetic test switch
- Self-diagnostic circuitry standard on all Self-Powered models
- Energy efficient – consumes less than 3W in AC or DC mode
- Normal AC and emergency DC operation – 120 to 347V universal AC dual tap; 6 to 48V universal DC
- NEXUS® compatible
- Meets or exceeds CSA 22.2 No. 141.
- Special wording available (CSA C22.2 No. 250.0)

See warranty details at: [www.tnb.ca/en/brands/ready-lite](http://www.tnb.ca/en/brands/ready-lite)

### ORDERING INFORMATION

SERIES	FACES/MOUNTING	AC VOLTAGE	HOUSING/FACE	VOLTAGE	OPTIONS	4X
TUF= NEMA-4X & NSF exit sign <sup>1</sup>	-1= single face -2= double face	-2= 120/277VAC <sup>1</sup> -3= 120/347VAC <sup>1</sup> Blank= 120VAC (with L120-2W only) -U= universal, 120-347VAC	-BA= black/aluminum -BK= black/black -BW= black/white -GA= grey/aluminum -GB= grey/black -GW= grey/ white -WA= white/aluminum -WB= white/black -WH= white/white	-DC= universal 120-347VAC, 6-48VDC (-40°C standard) -L120-2W= 120VAC, 120VDC 2 wires -NEX= NEXUS® system interface -NEXRFW= wireless NEXUS® system interface -SPD= Self-Powered diagnostic Ni-Cd, 120 to 347VAC	Blank= no options -CFP= Special wording -CW= cold weather <sup>1</sup> -G= green legend	-4X = approved NEMA-4X and NSF

<sup>1</sup> Nema 4X certified for wall or ceiling only

<sup>1</sup> With -NEXRF only

<sup>1</sup> -20°C for self-powered with diagnostics & Nexus®, -40°C for Universal 120-347VAC, 6-48VDC

EXAMPLE: TUF-2-U-WH-DC-G-4X

## TYPICAL SPECIFICATIONS

Supply and install **Ready-Lite® N-TUF** combination of unit equipment and Exit Sign series. The equipment shall operate under two input voltage, 120VAC or 347VAC. The equipment frame shall be of industrial grade polyvinyl chloride with a gasket around lenses and canopy designed specifically for hostile environments.

The unit shall be certified for NEMA-4X for wall and ceiling and end mount designed specially for high abuse areas, wet locations, and cold weather (CW option). The faceplate(s) shall be constructed of heavy-duty vandal-resistant polycarbonate and feature an even illuminated legend. The legend light source shall be light emitting diodes (LED). Red LED technology shall be **ALINGAP**. Emergency lights shall be fully adjustable and high efficiency LED lamps. The **Ready-Lite®** Advanced Diagnostic Microcontroller board shall supply the rated load for minimum of 1/2 hour to 87.5% of the rated battery voltage.

The unit shall be rated 120/347 V, 60 Hz and be CSA listed. The unit shall have an output of \_\_\_\_\_ V \_\_\_\_\_ W. The battery charger shall be driven by a micro-controller and shall include functions of Lockout, Brownout Circuits, and Low Voltage Disconnection. It protects the unit from over-current, short-circuit, and reverse polarity. The unit shall self-test for 5 minute every 30 days, 30 minutes on the 6th month and 90 minutes every 12 months. The unit shall be capable of full recharge in compliance with CSA specifications.

The unit shall be furnished with a magnetic test switch. A "Service Required" lamp shall be located near the test switch and flash when a fault is detected. A four-LED diagnostic display shall be located inside the equipment and shall identify the source of failure: battery, charger circuitry, LED lamps or emergency lights.

The Exit Sign shall be listed CSA-C22.2 No. 141 and CSA-C860 approved.

The equipment shall be **Ready-Lite®** Model: \_\_\_\_\_ .



## WIRE GUARDS WITH HEADS

460.0078-RL	wall mount
460.0060-RL	end or ceiling mount

## WIRE GUARDS WITHOUT HEADS

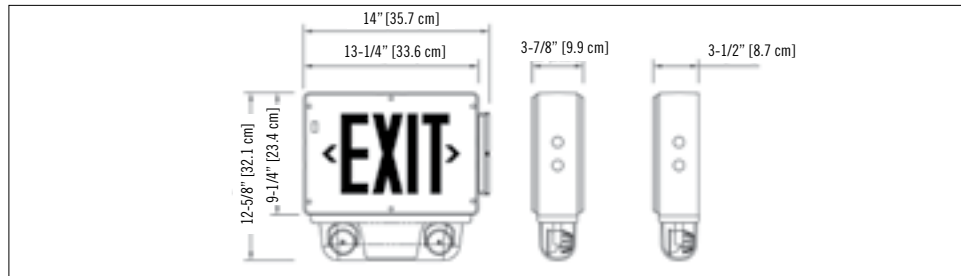
460.0079-RL	wall mount
460.0027-RL	end mount
460.0028-RL	ceiling mount

## POWER CONSUMPTION

MODEL	AC SPECS	WATTAGE CAPACITY				
		30MIN	1H00	1H30	2H00	4H00
Exit Sign Model						
NM36	120/347VAC	less than 2W	-	-	-	-
NM36-CW		0.15/0.05 A	36	30	20	15
N12M60		0.41/0.15 A	36	30	20	15
		0.27/0.09 A	60	40	30	24

## DIMENSIONS

Dimensions are approximate and subject to change.



## ORDERING INFORMATION

SERIES	# OF HEADS	HEAD STYLE AND WATTAGE	FACES	HOUSING/FACE COLOUR	VOLTAGE	OPTIONS
<b>N12M60</b> = 12V-60W, NEMA 4X & NSF <sup>1</sup>	<b>2</b> = two heads <b>Blank</b> = no heads <sup>1</sup>	<b>LD1</b> = MR16 LED, 6V-4W <b>LD2</b> = MR16 LED, 6V-5W <b>LD7</b> = MR16 LED, 12V-4W <b>LD9</b> = MR16 LED, 12V-5W <b>LD10</b> = MR16 LED, 12V-6W	<b>TUF1</b> = single face <b>TUF2</b> = double face	<b>BA</b> = black/aluminum <b>BK</b> = black/black <b>GA</b> = grey/aluminum <b>GB</b> = grey/black <b>GW</b> = grey/white <b>GY</b> = grey/grey <b>WA</b> = white/aluminum <b>WB</b> = white/black <b>WH</b> = white/white	<b>Blank</b> = 120/347VAC <b>U277</b> = 120/277VAC	<b>AD</b> = auto-diagnostics, audible <b>Blank</b> = auto-diagnostics, non-audible (standard) <b>CW</b> = cold-weather -40°C <sup>2</sup> <b>G</b> = green legend <b>NEX</b> = NEXUS® system interface <sup>1</sup> <b>NEXRF</b> = wireless NEXUS® system interface*

<sup>1</sup> Nema 4X certified for wall or ceiling only

<sup>1</sup> Remote load must be connected.

<sup>2</sup> Available with single face only.

<sup>1</sup> Not all options available with NEXUS® System. Please consult your sales representative

EXAMPLE: NM362LD2TUF1WH



## N-TUF SERIES

NEMA-4X & NSF Certified Combination Unit

## FEATURES

- NEMA-4X certified for wall or ceiling mount or end mount
- NSF certified for food processing
- High efficiency LED lamps up to 12V, 6W
- Continuous self-diagnostic monitoring and monthly self-testing
- Fully automatic charger is solid state
- Non-intrusive magnetic test switch
- Cold weather (-40°C) option
- Comes standard with tamper-proof screws
- NEXUS® compatible
- Sealed maintenance-free Nickel Cadmium battery
- Meets or exceeds CSA 22.2 No. 141
- Advanced diagnostics capabilities (specific load requirements)



## RH SERIES

Pictogram Sign, Hazardous Locations: Class I Div 2, Class II Div 1&2 and Class III



### TYPICAL SPECIFICATIONS

Supply and install the **Ready-Lite® RH Series** of pictogram Exit Signs. The equipment shall be certified for Hazardous Locations: Class I Division 2 Groups A, B, C and D, Class II Division 1&2 Groups E, F and G as well as Class III, with the temperature code T6 (maximum 85°C). The equipment frame shall be of industrial grade polyvinyl chloride with a gasket around lenses and canopy. The faceplate(s) shall be constructed of heavy-duty vandal-resistant polycarbonate and feature an even illuminated pictogram legend. Each face plate shall come standard with two legend films for pictogram and direction selection. The light source shall be long-life white light-emitting diodes (LED). The pictogram Exit Sign shall operate with universal 2-wire AC input voltage of 120 to 347VAC at less than 2.5W and universal 2-wire DC input voltage from 6 to 24VDC at less than 1W for single and double face signs. The Self-Powered model shall include a concealed pilot light and magnet-sensitive test switch, shall use a sealed Nickel-Cadmium battery of 2.4V nominal voltage and shall stay illuminated during emergency operation for at least two hours upon AC failure. The Self-Powered model shall include auto-test functions: it shall execute automatic tests for 5 minutes every 30 days, 30 minutes every 60 days and two hours annually. When a fault is detected, the bi-colour pilot light shall turn from green to red and flash following a particular code. The code description shall be visible on a label next to the pilot light to identify the failure type: battery, charger circuitry, or LED lamps.

The pictogram Exit Sign shall meet or exceed the CSA 22.2 No.141-15 standard. The equipment shall be **Ready-Lite® Model:** \_\_\_\_\_.

### FEATURES

- Includes the addition of Class II Div. 1&2 Groups E, F and G as well as Class III ratings
- Compliant Class I Division 2, Groups A, B, C and D as per CSA C22.2 No.137-M1981
- Temperature Code T6 (maximum + 85°C) as per Canadian Electrical Code, Part I and CSA C22.2 No.137-M1981
- High-impact thermoplastic frame with built-in gasket to secure against liquid leaks
- Sealed, polycarbonate heavy-duty, vandal-resistant face plate(s)
- Concealed pilot light and test switch with magnetic action
- Long-life white LED light source
- Supplied standard with two pictogram films per face, for direction selection
- Meets or exceeds CSA 22.2 No.141-15 standard for pictogram Exit Signs
- Universal AC input: two-wire 120 to 347VAC; standard DC input: two-wire 6 to 24VDC
- Energy efficient – consumes less than 2.5W in AC or DC-remote mode
- Self-Powered models come standard with auto-diagnostic functions and deliver two hours of back-up legend illumination
- Suitable for cold-weather: -40°C for AC/DC and -20°C for Self-Powered models (option: -CW)

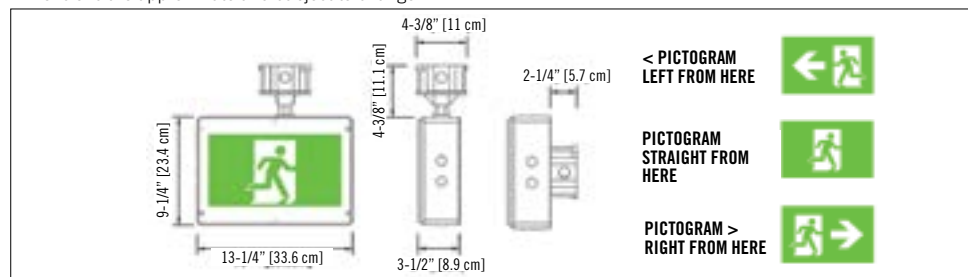
See warranty details at: [www.tnb.ca/en/brands/ready-lite](http://www.tnb.ca/en/brands/ready-lite)

### HAZARDOUS LOCATION FAMILY CLASS I, II AND III



### DIMENSIONS

Dimensions are approximate and subject to change.



### POWER CONSUMPTION

MODEL	AC SPECS		DC SPECS	
AC-only	120 to 347VAC	less than 2.5W	-	-
AC/DC standard	120 to 347VAC	less than 2.5W	6 to 24VDC	less than 1 W
AC/Special DC	120 to 347VAC	less than 2.5W	36, 48, 120VDC	less than 2.5 W
two-wire 120V AC/DC	120VAC	less than 2.5W	120VDC	less than 2.5 W
self-diagnostic	120/347VAC	less than 3.5W	nickel-cadmium battery	min. two hours

### ORDERING INFORMATION

SERIES	FACES <sup>1</sup>	HOUSING COLOUR	VOLTAGE	OPTIONS
RH= pictogram exit sign	1= single face 2= double face	G= grey	<b>2120</b> = 2-wires 120VAC/VDC <b>NEX</b> = NEXUS® system interface, 120/347VAC <sup>1</sup> <b>NEXRF</b> = wireless NEXUS® system interface, 120/347VAC <sup>1</sup> <b>SPD</b> = Self-Powered, auto-diagnostic, non-audible, Ni-Cd, 120/347VAC <b>SPD2</b> = Self-Powered, auto-diagnostic, non-audible, Ni-Cd, 120/277VAC <b>U</b> = universal 120 to 347VAC; 6 to 24VDC <b>U00</b> = 120 to 347VAC only <b>U36</b> = 120 to 347VAC; 36VDC <b>U48</b> = 120 to 347VAC; 48VDC <b>U120</b> = 120 to 347VAC; 120VDC	<b>CW</b> = cold-weather (-20°C for SPD, SPD2 and NEXUS®, -40°C for universal model) <b>D4</b> = Arrow Down 45° <b>D9</b> = Arrow Down <b>U4</b> = Arrow Up 45° <b>U9</b> = Arrow Up
		<sup>1</sup> Ceiling or wall mount only.	<sup>1</sup> Not all options available with NEXUS® System. Please consult your sales representative	

EXAMPLE: RH1GU

## TYPICAL SPECIFICATIONS

Supply and install **Ready-Lite® RHC Series** combination emergency light battery unit and pictogram sign. Designed specifically for hazardous locations, the equipment frame shall be of industrial grade polyvinyl chloride with gaskets around both sides of the frame contour. The back plate shall be made of 1/8" thick aluminum sheet and shall include knock-outs for installation on an electrical box and four keyholes for alternative installation on a wall surface. The faceplate shall be constructed of heavy-duty vandal-resistant clear polycarbonate and feature a uniformly illuminated pictogram legend.

The unit shall come standard with two legend films for pictogram and direction selection. The light source shall be long-life white light-emitting diodes (LED). The unit shall have attached a lower compartment containing two emergency heads with adjustable swivels and long-life LED lamps of \_\_\_ V and \_\_\_ W. The heads shall be installed on a shield housing made of cast aluminum and protected by a shock-absorbent, clear polycarbonate cover. The standard AC input voltage shall be 120/347VAC. The equipment shall be equipped with a magnetic test switch and one LED pilot light protected by the face plate.

The unit shall perform auto-test functions managed by a micro-controller and shall automatically self-test for one minute every 30 days, 10 minutes in the 6th month and 30 minutes annually. When a fault is detected, the bi-color pilot light shall turn from green to red and flash following a particular code. The code description shall be displayed on a label next to the pilot light to identify the failure type: battery, charger circuitry, LED lights for the signage, or emergency lights. The combination unit shall be approved CSA C22.2 No.141-15 and No.137-M1981 for Class I Division 2 Groups A, B, C and D, Class II Division 1&2 Groups E, F and G as well as Class III.

The combination unit shall be **Ready-Lite®** model: \_\_\_\_\_.



## TEMPERATURE CODES (CLASS I DIVISION 2)

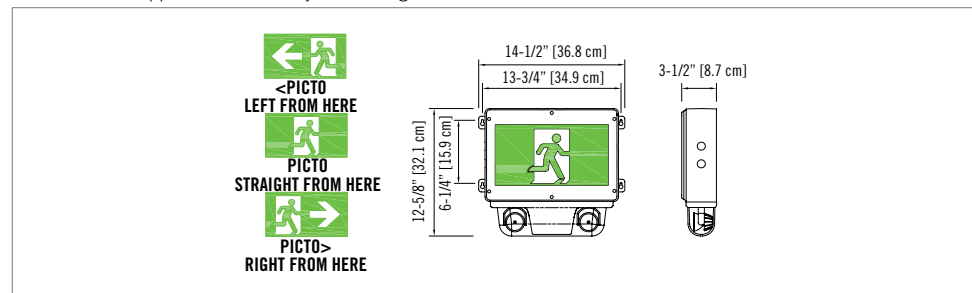
LAMP RATING	TEMPERATURE CODE	MAX. TEMPERATURE	REPLACEMENT LAMP
6V-4W LED	T4A	120°C	580.0097-RL
12V-4W LED	T4A	120°C	580.0093-RL
12V-5W LED	T4A	120°C	580.0104-RL
12V-6W LED	T4	135°C	580.0106-RL

## POWER CONSUMPTION

MODEL	AC SPECS	EMERGENCY POWER AVAILABLE FOR LAMPS				
		30MIN	1H00	1H30	2H00	4H00
Pictogram Sign Module	less than 2.5W	-	-	-	-	-
RHC-6L36	0.10/0.03 A	36	21	15	12	-
RHC-6L36-CW	0.25/0.08 A	36	21	15	12	-
RHC-6N36	0.10/0.03 A	36	30	20	16	8
RHC-6N36-CW	0.25/0.08 A	36	30	20	16	8
RHC-12N60	0.18/0.06 A	60	40	30	20	10

## DIMENSIONS

Dimensions are approximate and subject to change.



## ORDERING INFORMATION

SERIES	HOUSING COLOUR	BATTERY TYPE AND POWER	HEAD STYLE AND WATTAGE	OPTIONS
RHC= pictogram combo	G= grey	6L36= 6V-36W, lead-calcium 6N36= 6V-36W, Ni-Cd 12N60= 12V-60W, Ni-Cd	Blank= no heads <sup>1</sup> LD1= MR16 LED, 6V-4W LD2= MR16 LED, 6V-5W LD7= MR16 LED, 12V-4W LD9= MR16 LED, 12V-5W LD10= MR16 LED, 12V-6W	AD= auto-diagnostics, audible Blank= auto-diagnostics, non-audible (standard) CW= cold-weather -40°C (only 6V units) D3= time delay (15 mins.) D4= Arrow Down 45° D9= Arrow Down NEX= NEXUS® system interface <sup>1</sup> NEXRF= wireless NEXUS® system interface <sup>1</sup> U2= 120/277VAC input U4= Arrow Up 45° U9= Arrow Up <sup>1</sup> Not all options available with NEXUS® System. Please consult your sales representative

EXAMPLE: RHC G12N60LD7



## RHC SERIES

Pictogram Combo, Hazardous Locations: Class I Div 2, Class II Div 1&2 and Class III

## FEATURES

- Includes the addition of Class II Div 1&2 Groups E, F and G as well as Class III ratings
- Certified Class I Div 2, Groups A, B, C and D as per CSA C22.2 No.137-M1981
- Certified temperature Codes for several types of emergency lamps
- Certified CSA C22.2 No.141-15
- Polyvinyl chloride frame, with built-in gasket to prevent water infiltration
- Heavy-duty 1/8" thick aluminum back plate with keyholes for wall-mount installation
- Sealed, polycarbonate vandal-resistant faceplate
- Legend illuminated by long-life white LEDs
- Comes standard with two pictogram films for direction selection
- Two high-performance LED lamps shielded by a clear polycarbonate cover
- 5W LED emergency lights provide 60 ft of egress illumination on a 6-foot wide path
- 6W LED emergency lights provide 100 ft of egress illumination on a 6-foot wide path
- Sealed, maintenance-free Lead-Calcium or Nickel-Cadmium batteries
- Remote load capacity: covers with LED lights 200 ft up to 500 ft of egress illumination
- Comes standard with auto-diagnostic
- Cold-weather option: -40°C with only 14W extra power consumption
- Advanced diagnostics capabilities (specific load requirements)

See warranty details at: [www.tnb.ca/en/brands/ready-lite](http://www.tnb.ca/en/brands/ready-lite)



## TYPICAL SPECIFICATIONS

Supply and install **Ready-Lite® TUFHZ Series** LED Exit Signs. The equipment shall operate with universal two-wire AC input voltage from 120VAC to 347VAC at less than 3W and universal two-wire DC input voltage from 6VDC to 48VDC at less than 2W for single and double face signs. Designed specifically for hostile environments, the equipment frame shall be of industrial grade high impact thermoplastic with a gasket around lenses and canopy. The faceplate(s) shall be constructed of heavy-duty vandal-resistant polycarbonate and feature an even illuminated legend. The light source shall be light emitting diodes (LED). Red LED technology shall be **ALINGAP**. An LED-sensitive diffuser shall be mounted behind the legend to provide the 6" high by 3/4" stroke letters with even illumination. The equipment shall be certified for Hazardous Locations: Class I Division 2 Groups A, B, C and D, Class II Division 1&2 Groups E, F and G as well as Class III, with the temperature code T6 (maximum 85°C). The equipment shall be designed specifically for high abuse areas, wet location, and cold weather -20°C applications. The Self-Powered model shall stay illuminated during emergency operation for at least 90 minutes upon AC failure and shall include a magnetic test switch and self-testing/self-diagnostic functions. The equipment shall automatically self test for 5 minutes every 30 days, 30 minutes every 60 days and 90 minutes annually. A "Service required" lamp shall be located near the test switch and flash when a fault is detected. A two-LED diagnostic display shall be located inside the equipment and shall identify the eventual source of failure (battery, charger circuitry, or LED lamps).

The Exit Sign shall be CSA-C860 approved and meets CSA 22.2 No. 141.

The equipment shall be **Ready-Lite®** Model: \_\_\_\_\_



## WIRE GUARDS

460.0080-RL	wall mount
460.0060-RL	ceiling mount

## POWER CONSUMPTION AND UNIT RATING

MODEL	AC SPECS		DC SPECS	
AC/DC red	120 to 347VAC	less than 3W	6 to 48VDC	less than 2W
AC/DC green	120 to 347VAC	less than 3W	6 to 48VDC	less than 2W
Self-Powered red	120 to 347VAC	less than 3W	nickel-cadmium battery	min. 90 minutes
Self-Powered green	120 to 347VAC	less than 3W	nickel-cadmium battery	min. 90 minutes
120VAC/VDC 2 wires, red	120VAC	less than 3W	120VDC	less than 3W

Note: double face models have double the power consumption above.

## TUFHZ SERIES

LED Exit Sign, Hazardous Locations: Class I Div 2, Class II Div 1&2 and Class III

### FEATURES

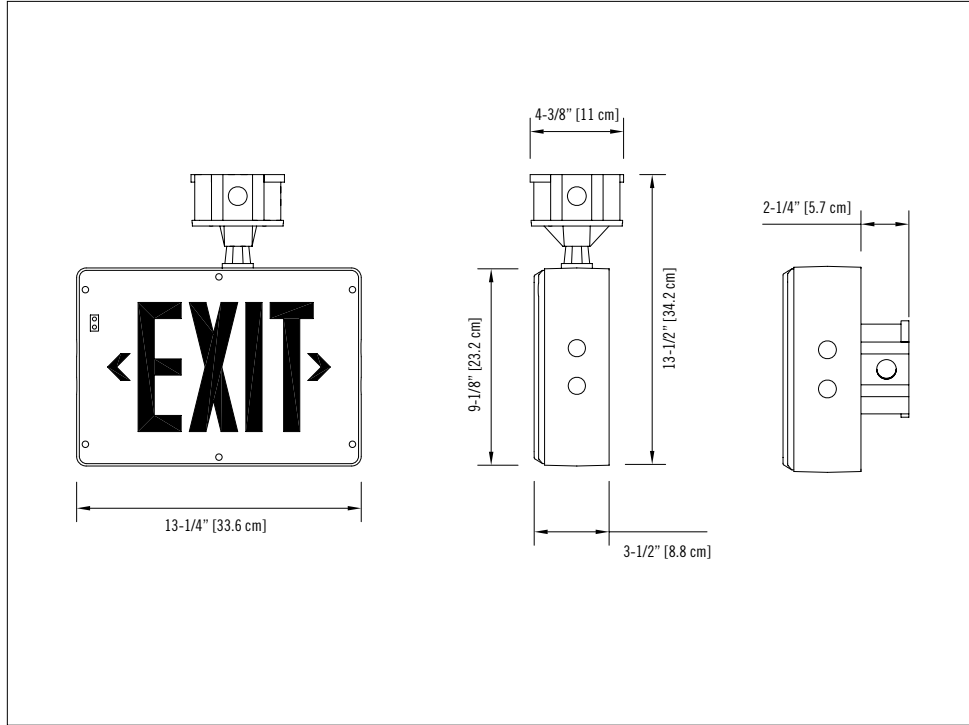
- Includes the addition of Class II Div 1&2 Groups E, F and G as well as Class III ratings
  - Certified Class I Zone 2, Groups IIA, IIB and IIC
  - Certified Class I Div 2, Groups A, B,C and D as per CSA C22.2 No.137-M1981
  - Temperature Code: T6 (maximum 85°C as per Canadian Electrical Code, Part I and CSA C22.2 No.137-M1981)
  - CSA certified, meets or exceeds CSA 22.2 No. 141 requirements
  - Input voltages: 120 to 347VAC universal AC input; 6 to 48VDC universal DC input
  - High impact thermoplastic frame, with built-in gasket to prevent water infiltration
  - Suited for areas with the risk of presence of flammable gases, vapors or liquids able to create an explosive atmosphere
  - Sealed, polycarbonate faceplate of heavy-duty, vandal-resistant
  - Tamper-resistant, hermetically sealed magnetic test switch
  - Auto-diagnostic circuitry is standard on Self-Powered models
  - Batteries recharge as per CSA requirements and provide 90 minutes of emergency operation
  - Long-life, energy-efficient **ALINGAP** red LED light source
  - Energy efficient – consumes less than 3W in AC or DC mode
  - Comes standard with industrial-grade, Die-Cast aluminum electrical box
  - Suitable for cold weather: -20°C (Self-Powered model, "CW" option) and -40°C (AC only and AC-DC models)
- See warranty details at: [www.tnb.ca/en/brands/ready-lite](http://www.tnb.ca/en/brands/ready-lite)





## DIMENSIONS

Dimensions are approximate and subject to change.



## TUFHZ SERIES

LED Exit Sign, Hazardous Locations: Class I Div 2, Class II Div 1&2 and Class III

## ORDERING INFORMATION

SERIES	FACES/MOUNTING	AC VOLTAGE	HOUSING/FACEPLATE COLOUR	VOLTAGE	OPTIONS
TUFHZ= exit sign	-1= single face, ceiling or wall mount -2= double face, ceiling mount only	Blank= 120VAC (L120-2W only) -U= universal, 120-347VAC	GG= grey/grey	-DC= universal 120-347VAC, 6-48VDC -L120-2W= 120VAC, 120VDC, 2 wires (AC only) -NEX= NEXUS® system interface <sup>1</sup> -NEXRF= wireless NEXUS® system interface <sup>1</sup> -SPD= Self-Powered, auto-diagnostic, non-audible Ni-Cd, 120 to 347VAC  1 Not all options available with NEXUS® System. Please consult your sales representative	Blank= red legend CW= cold weather -20°C Self-Powered only G= green legend

EXAMPLE: TUFHZ-2-UGG-DC



# HZ SERIES

LED Exit Combo, Hazardous Locations: Class I Div 2, Class II Div 1&2 and Class III

## new features



### TYPICAL SPECIFICATIONS

Supply and install **Ready-Lite® HZ Series** combination emergency light battery unit and LED Exit Sign. Designed specifically for hostile environments, the equipment frame shall be of industrial grade polymer with gaskets around both sides of the frame contour. The back plate shall be made of 1/8" thick aluminum sheet and shall include knockouts for installation on an electrical box and four keyholes for alternative installation on a wall surface. The faceplate shall be constructed of heavy-duty vandal-resistant polycarbonate and feature a uniformly illuminated legend.

The light source shall be light emitting diodes (LED). Red LED technology shall be **ALINGAP**. An LED-sensitive diffuser shall be mounted behind the legend to provide the 6" high by 3/4" stroke letters with even illumination. When specified, the equipment shall have attached a lower compartment containing two emergency lights with adjustable swivels and long-life LED lamps of \_\_\_\_\_ V and \_\_\_\_\_ W. The lamps shall be shielded by cast aluminum housing and protected by a shock-absorbent, transparent polycarbonate cover.

The equipment shall be certified for Hazardous Locations: Class I Division 2 Groups A, B, C and D, Class II Division 1&2 Groups E, F and G as well as Class III. The standard AC input voltage shall be 120/347VAC. The equipment shall be equipped with a magnetic test switch located behind the face plate and two LED pilot lights: AC-on and "Service required".

The unit shall include self-testing/self-diagnostic functions monitored by a micro-controller and shall automatically self test for one minute every 30 days, 10 minutes in the 6th month and 30 minutes annually. The "Service required" LED shall light when a fault is detected. A four-LED diagnostic display located inside the equipment shall identify the source of the failure (battery, charger circuitry, or lamp load).

The Exit Sign module shall be CSA-C860 approved. The combination unit shall be **Ready-Lite®** Model: \_\_\_\_\_ .



### WIRE GUARDS

460.0078-RL	wall mount
-------------	------------

### TEMPERATURE CODES (CLASS I DIVISION 2)

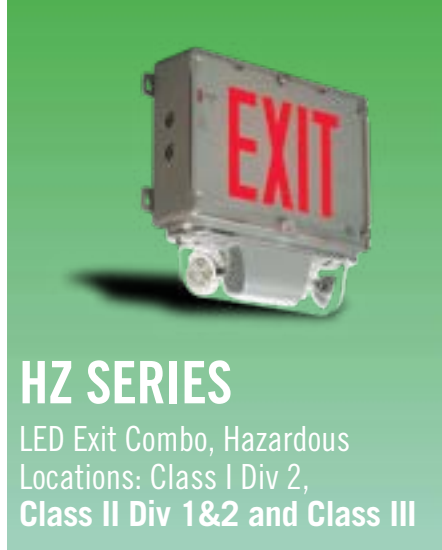
LAMP RATING	TEMPERATURE CODE	MAX. TEMPERATURE	REPLACEMENT LAMP
6V-4W LED	T4A	120°C	580.0097-RL
12V-4W LED	T4A	120°C	580.0093-RL
12V-5W LED	T4A	120°C	580.0104-RL
12V-6W LED	T4	135°C	580.0106-RL

### POWER CONSUMPTION

MODEL	AC SPECS	WATTAGE CAPACITY					
		30MIN	1H00	1H30	2H00	4H00	
HZ36N	120/347VAC	0.15/0.06 A	36	30	20	15	-
H12Z60		0.30/0.10 A	60	40	30	20	10
H12H10		0.30/0.10 A	100	72	40	36	18

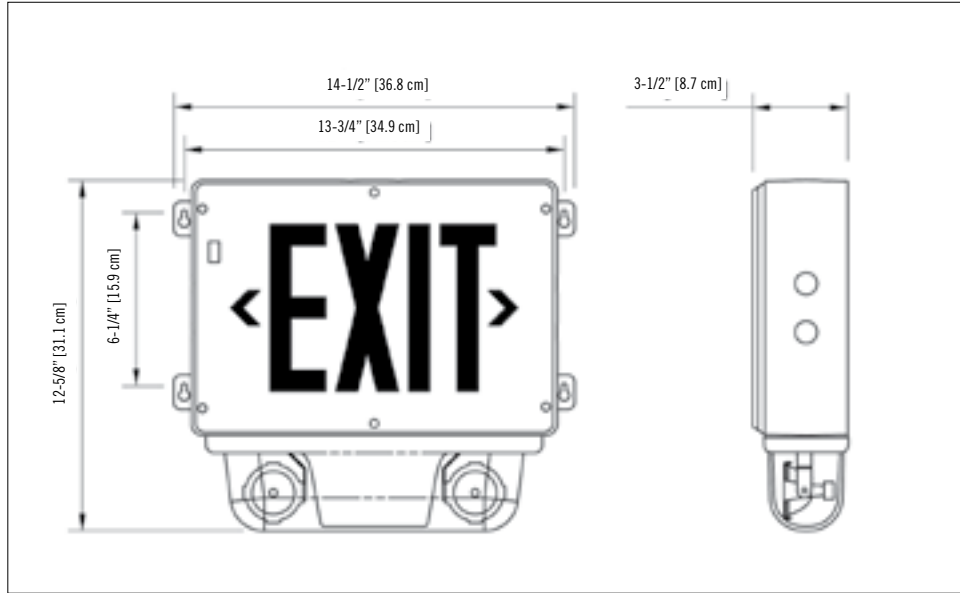
### FEATURES

- Includes the addition of Class II Div 1&2 Groups E, F and G as well as Class III ratings
- Certified Class I Zone 2, Groups IIA, IIB and IIC
- Certified Class I Division 2, Groups A, B, C and D as per CSA C22.2 No.137-M1981
- Certified temperature Codes for several types of emergency lamps
- Certified CSA C22.2 No141
- Certified CSA C860
- Polymeric frame, with built-in gasket to prevent water infiltration
- Heavy-duty 1/8" thick aluminum back plate with keyholes for secure wall-mount installation
- Sealed polycarbonate faceplate of heavy-duty, vandal-resistant
- Suited for areas with the risk of flammable gases, vapors or liquids that can create an explosive atmosphere
- Exit Sign module illuminated by long-life, energy-efficient **ALINGAP** red LEDs
- Two LED lamps, shielded by a cast aluminum housing and a polycarbonate cover
- 5W LED emergency lights provide 60 ft of egress illumination on a 6-foot wide path
- 6W LED emergency lights provide 100 ft of egress illumination on a 6-foot wide path
- Sealed, maintenance-free, Lead-Calcium or Nickel-Cadmium batteries
- Remote load capacity: covers with LED lights 200 ft up to 800 ft of egress illumination
- Comes standard with auto-diagnostic functions
- 1/2" electrical conduit entry on both sides and at the top
- NEXUS® compatible (for more information on NEXUS®, contact your sales representative)
- Advanced diagnostics capabilities (specific load requirements)



## DIMENSIONS

Dimensions are approximate and subject to change.



## HZ SERIES

LED Exit Combo, Hazardous Locations: Class I Div 2, Class II Div 1&2 and Class III

## ORDERING INFORMATION

CAPACITY	NUMBER OF HEADS	HEAD STYLE/ WATTAGE	HOUSING FACE COLOUR	VOLTAGE	LEGEND COLOUR	CHARGER TYPE
<b>H12Z60</b> = 12V-60W, Ni-Cd <b>H12H10</b> = 12V-100W, NiMH <b>HZ36N</b> = 6V-36W, Ni-Cd	<b>2</b> = two heads <b>Blank</b> = no heads <sup>1</sup>	<b>LD1</b> = MR16 LED, 6V-4W <b>LD2</b> = MR16 LED, 6V-5W <b>LD7</b> = MR16 LED, 12V-4W <b>LD9</b> = MR16 LED, 12V-5W <b>LD10</b> = MR16 LED, 12V-6W	<b>GG</b> = grey/grey	<b>Blank</b> = 120/347VAC <b>U2</b> = 120/277VAC	<b>Blank</b> = red legend <b>G</b> = green legend	<b>AD</b> = auto-diagnostics, audible <b>ADN</b> = auto-diagnostics, non-audible <b>NEX</b> = NEXUS® system interface <sup>1</sup> <b>NEXRF</b> = wireless NEXUS® system interface <sup>1</sup>
	<sup>1</sup> Remote load must be connected.					<sup>1</sup> Not all options available with NEXUS® System. Please consult your sales representative.

EXAMPLE: HZ36N2LD2GGAD



## RX SERIES

Remote Pictogram Exit Sign for Hazardous Locations TP Series Transfer Panels



### TYPICAL SPECIFICATIONS

Supply and install the **Ready-Lite® RX Series** remote pictogram exit signs. The lighting fixture shall have a die-cast aluminum body with grey epoxy powder coat finish and a transparent glass globe. The light source shall be long-life Light-Emitting Diodes (LED) in a lamp assembly rated \_\_\_V. The LED assembly shall emit white light and shall consume less than 4W in AC or DC current. The legend housing shall be of industrial-grade 14-gauge steel with grey enamel finish. The face plate(s) shall consist of three layers: a white translucent panel, a green/clear legend film and a clear Polycarbonate panel for rigidity enforcement. Each face plate shall come standard with two legend films per face, for direction selection.

The equipment shall be certified CSA C22.2 No. 137-M1981 for Hazardous Locations: Class \_\_\_\_, Division \_\_\_\_, Groups \_\_\_\_, with the temperature code: \_\_\_\_.

The equipment shall be certified 22.2 No. 141

The equipment shall be **Ready-Lite®** Model: \_\_\_\_\_.

### TP SERIES TRANSFER PANEL:

Supply and install the **Ready-Lite® TP Series** transfer panel for hazardous location remote Exit Signs. The unit shall have two voltage inputs: \_\_\_\_\_ VAC and \_\_\_\_\_ VDC and shall be able to maintain an output of \_\_\_\_\_ V 25W for the permanent supply of a total of five remote LED Exit Signs.

The transfer panel shall be suitable for Class \_\_\_\_\_, Division \_\_\_\_\_, Group \_\_\_\_\_ or for a NEMA 1 environment.

The unit shall be **Ready-Lite®** Model: \_\_\_\_\_.

### FEATURES

#### REMOTE PICTO SIGN SERIES

- CSA Certified for use in hazardous locations:
  - Class I, Division 1, Groups A, B, C, D
  - Class I, Division 2, Groups A, B, C, D
  - Class III, Divisions 1 and 2
- Very low Temperature Codes (see table)
- Listed CSA C22.2 No.137-M1981
- Listed CSA 22.2 No.141
- Lighting fixture of die-cast aluminum with grey epoxy powder coat finish
- Legend housing of industrial-grade 14-gauge steel with grey enamel finish
- Supplied standard with two pictogram films per face, for direction selection
- Long-life white LED light source
- Two-wire AC/DC input available in 6, 12, 24 or 120V
- Energy efficient – consumes maximum 4.0W in AC and DC mode
- Also available as Self-Powered

#### TP SERIES TRANSFER PANEL

- Available with housing for hazardous locations (Class I, Division 1) or NEMA-1 housing (for use outside the hazardous location area)
  - Standard AC input: 120VAC, optional: 277VAC, 347VAC
  - Standard DC input: 6, 12 or 24VDC
  - Two-wire output with permanently present AC/DC low voltage
  - Output power: 25W, can drive up to six (6) RX Series remote pictogram exit signs
- See warranty details at: [www.tnb.ca/en/brands/ready-lite](http://www.tnb.ca/en/brands/ready-lite)

### POWER CONSUMPTION AND UNIT RATING

MODEL	AC SPECS		DC SPECS	
AC/DC	6VAC	maximum 4W	6VDC	maximum 4W
	12VAC		12VDC	
	24VAC		24VDC	
	120VAC		120VDC	

\*NOTE: Exit Signs of 6,12 or 24 V must be connected through transfer panels; maximum six Pictogram Exit Signs per panel.

### 1. SEVERITY CODE SELECTION GUIDE

ENVIRONMENT	SEVERITY CODE
Class I Div.1 Groups A, B	S1
Class I Div.1 Groups C, D	S2N
Class I Div.2 Groups A, B, C, D	S3
Class II Div. 1 & 2 Groups E, F, G Class III Div.1 and 2	S4

### 2. TEMPERATURE CODES: MEASURED AT 40°C AMBIENT

SEVERITY CODE	S1	S2N	S3	S4
TEMPERATURE CODE	T6	T6	T4A	T6 (E, F, G)
CSA/UL RATING	maximum 85°C	maximum 85°C	maximum 85°C	maximum 85°C

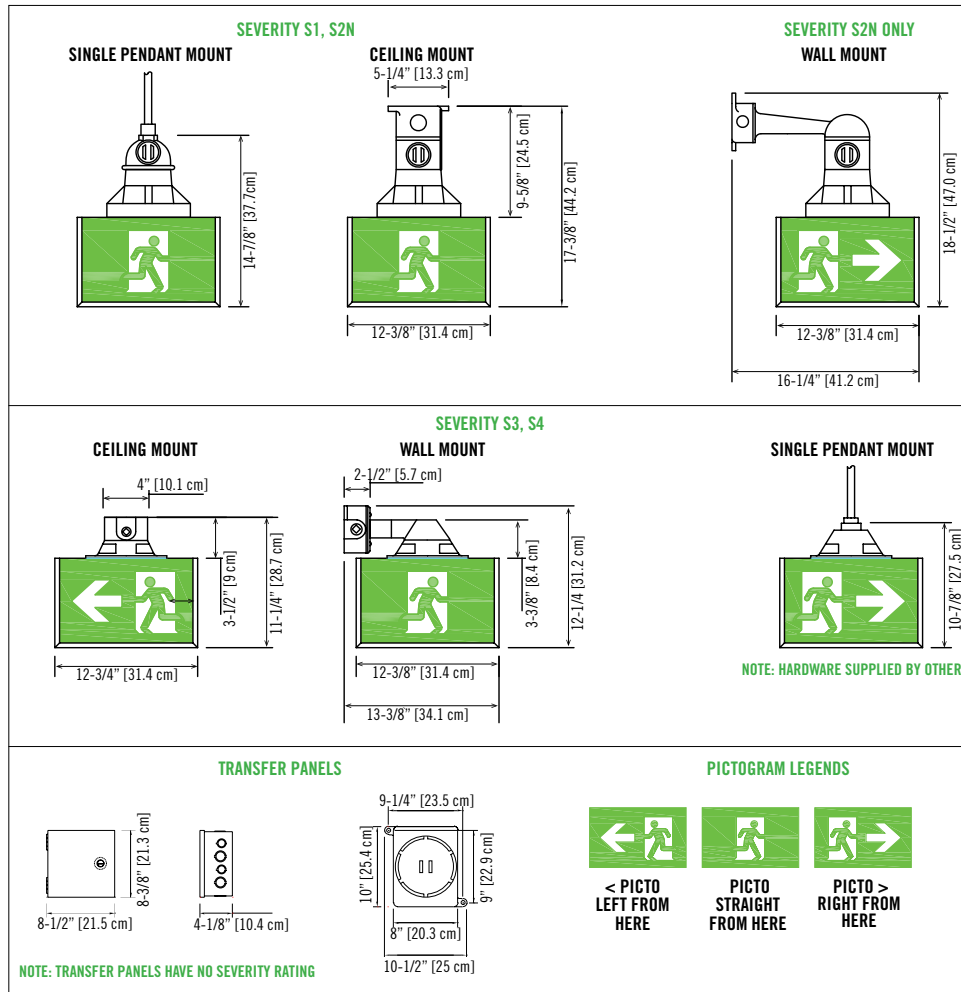


## RX SERIES

Remote Pictogram Exit Sign for Hazardous Locations  
TP Series Transfer Panels

## DIMENSIONS

Dimensions are approximate and subject to change.



## ORDERING INFORMATION

Before ordering, identify the environment of your application: Class \_\_\_\_\_, Division \_\_\_\_\_, Group \_\_\_\_\_.  
Refer to table 1 for the Severity Code to use in your catalogue number. For temperature information, please see table 2.

### 1. RX SERIES

SERIES	NO. OF FACES	SEVERITY CODE	MOUNTING	INPUT VOLTAGE	OPTIONS
RX= hazardous locationw pictogram sign	1= single face 2= double face	S1= Class I Div.1 Gr. A, B S2N= Class I Div.1 Gr. C, D S3= Class I Div.2 Gr. A, B, C, D S4= Class II Div.1&2 Gr. E, F, G Class III Div.1&2	C= ceiling P= pendant <sup>1</sup> W= wall <sup>2</sup>	6= 6V AC/DC 12= 12V AC/DC 24= 24V AC/DC 120= 120V AC/DC	D4= Arrow Down 45° D9= Arrow Down U4= Arrow Up 45° U9= Arrow Up

EXAMPLE: RX1S1C6

### 2. TRANSFER PANEL

AC VOLTAGE	DC VOLTAGE	SERIES	LOAD POWER	HOUSING
120= 120VAC 277= 277VAC 347= 347VAC	-6= 6V -12= 12V -24= 24V -120= 120V	-TP= transfer panel	-25= 25W <sup>1</sup>	Blank= NEMA1 XP= hazardous locations

EXAMPLE: 120-6-TP-25

<sup>1</sup> 4W required per DC "Pictogram Exit" load

Unlike EXIT signs, the pictogram sign is not available in double arrow configuration.



# LDX-EXP-P LED SERIES

Battery Units, Self-Powered Pictogram Exit Signs & Combination Units

**new product**



## TYPICAL SPECIFICATIONS

Supply and install the **Ready-Lite® LDX-EXP-P LED Series** of hazardous location battery equipment. The battery unit housing will be constructed of die cast aluminum with grey epoxy powder coat finish and equipped with heavy-duty key holes for wall mount. The equipment shall be rated for 120, 277 or 347V, 60 Hz input and be CSA listed. The equipment shall have an output of \_\_\_\_\_ V and \_\_\_\_\_ W and shall supply the rated load for a minimum of a 1/2 hour to 87,5% of the rated battery voltage. The battery shall be a long-life, maintenance-free lead-calcium type. The charger shall be fully computer tested and have its charge voltage set in the factory to  $\pm 1\%$  tolerance. The charger shall be current limited, temperature compensated, short circuit proof and reverse polarity protected. The charger shall be furnished with an electronic lockout circuit, which will connect the battery when the AC circuit is activated, and an electronic brownout circuit.

Where required the equipment shall come complete with \_\_\_\_\_ heads, each of them equipped with \_\_\_\_\_ lamp(s) of \_\_\_\_\_ W.

The head housing shall be Die-Cast aluminum with grey epoxy powder coat finish. The lenses shall be a clear, impact and heat resistant prismatic glass globe. The head shall be factory sealed, with no need for external seals.

Where required the equipment shall come complete with one Pictogram Exit Sign and will include a transfer circuit to maintain the Pictogram Sign permanently lighting in both normal and emergency operation. The picto housing shall be industrial grade 14-gauge steel and finished in grey enamel. The faceplate will be constructed of heavy-duty 14-gauge steel.

The equipment shall be certified CSA C22.2 No.137-M1981 for Hazardous Locations:

Class \_\_\_\_\_, Division \_\_\_\_\_, Group \_\_\_\_\_ with the temperature code \_\_\_\_\_.

The Pictogram Exit Sign shall be CSA C22.2 No.141-10 certified.

The equipment shall be **Ready-Lite®** Model: \_\_\_\_\_.

## CSA CERTIFIED FOR USE IN HAZARDOUS LOCATIONS

The **LDX-EXP-P LED Series** of battery equipment is designed to cover emergency lighting applications for the entire spectrum of hazardous locations, where inflammable gases, vapors, liquids, dust particles or fabrics tissues are permanently present or are likely to exist.

The **LDX-EXP-P LED Series** combines in one simple-to-order catalogue family three traditional emergency lighting products with battery back-up: battery units with emergency lights, Self-Powered Pictogram Signs, and combination units with emergency lights and Pictogram Sign. The equipment is also available with additional emergency power capacity to drive remote heads and Pictogram Signs.

## FEATURES

- CSA Certified for use in hazardous locations:
  - Class I, Division 1, Groups B, C, D
  - Class I, Division 2, Groups A, B, C, D
  - Class II, Divisions 1 and 2, Groups E, F, G
  - Class III, Divisions 1 and 2
- For wall mount only
- Die-Cast aluminum body with grey epoxy powder coat finish; clear, impact and heat resistant prismatic glass globe
- Long-life, maintenance-free Lead-Calcium battery
- Battery charger is current limited, temperature compensated, short-circuit proof and reverse polarity protected
- Emergency heads with one or twin lamp design
- Large Self-Powered combo includes a transfer circuit to drive an additional three (3) remote pictogram exit signs (total power max 15W)
- Easy-to-build catalogue number based on the **Ready-Lite®** Severity Codes
- Meets or exceeds CSA C22.2 No.141-10 & No. 137

See warranty details at: [www.tnb.ca/en/brands/ready-lite](http://www.tnb.ca/en/brands/ready-lite)

## POWER CONSUMPTION AND UNIT RATING

UNIT CAPACITY	INPUT VOLTAGE	INPUT RATING	WATTAGE CAPACITY				
			30MIN	1 H	1.5 H	2 H	4 H
12V-72W*	120V, 60Hz	0.25A, 25W	72	36	25	20	10
	277V, 60Hz	0.125A, 28W					
	347V, 60 Hz	0.115A, 28W					
12V-120W	120V, 60Hz	0.45A, 37W	120	60	40	30	15
	277V, 60Hz	0.209A, 42W					
	347V, 60 Hz	0.176A, 42W					
24V-144W	120V, 60Hz	0.465A, 38W	144	72	50	40	20
	277V, 60Hz	0.208A, 42W					
	347V, 60 Hz	0.178A, 42W					

NOTE: Combo, no remote Exit capability.

## TEMPERATURE CODES FOR LDX SERIES (BATTERY & PICTOGRAM COMBINATION UNITS)

SEVERITY CODE	S1	S2	S3	S4
TEMPERATURE CODE	T6 85°C (185°F)	T6 85°C (185°F)	T6 120°C (248°F)	T6 85°C (185°F)



# LDX-EXP-P LED SERIES

Battery Units, Self-Powered Pictogram Exit Signs & Combination Units

## TEMPERATURE CODES: MEASURED AT 40°C AMBIENT

Explosion-proof equipment is composed of one or more modules, each of them qualified for a specific temperature code. The temperature code of the complete equipment (enclosure + picto sign + emergency heads) is defined as the most severe of the temperature codes identified for each of the modules below.

## TEMPERATURE CODES FOR LDX-EXP-P SERIES (BATTERY UNIT ENCLOSURE)

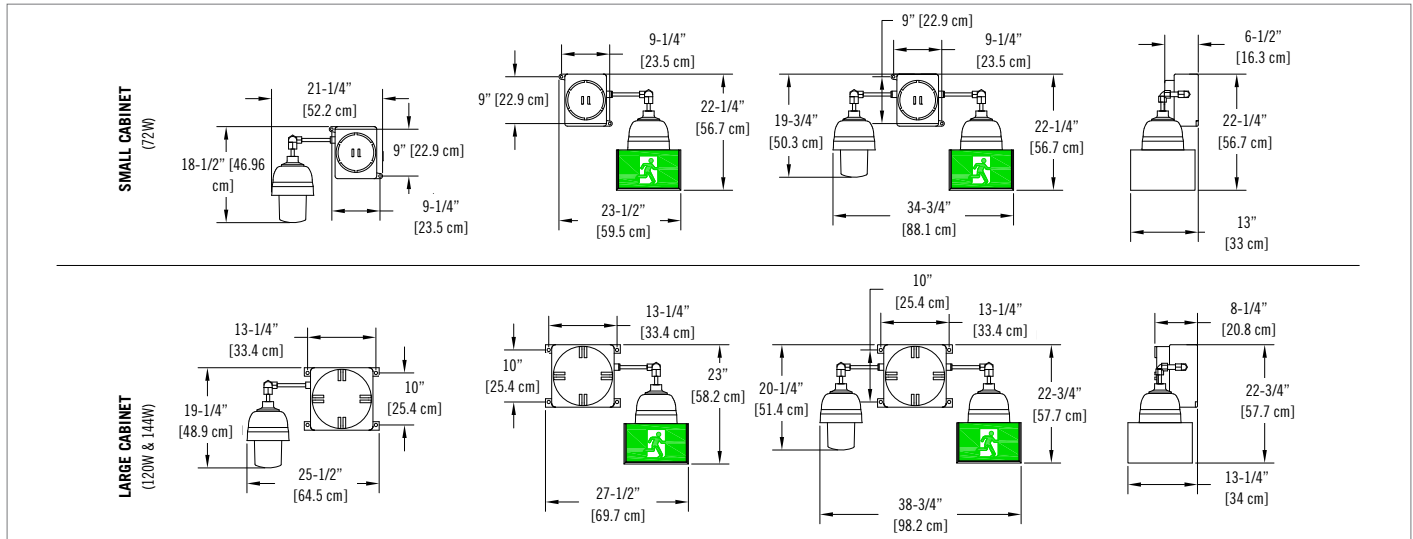
SEVERITY CODE	S1	S2	S3	S4
TEMPERATURE CODE	T6 85°C (185°F)	T6 85°C (185°F)	T6 120°C (248°F)	T6 85°C (185°F)

## SEVERITY CODE SELECTION CHART

ENVIRONMENT	SEVERITY CODE
Cl. I, Div. 1 & 2, Gr. B	S1
Cl. I, Div. 1, Gr. C, D	S2
Cl. I, Div. 2, Gr. A, B, C, D	S3
Cl. II, Div. 1 & 2, Gr. E, F, G & Cl. III	S4

## DIMENSIONS

Dimensions are approximate and subject to change.



## ORDERING CHART

DC VOLTAGE	CAPACITY	SERIES	LIGHTING HEAD STYLE	SEVERITY CODE	LAMP TYPE, VOLTAGE AND POWER	SIGN/FACE	AC VOLTAGE	OPTIONS
LDX12= 12V	72= 72W <sup>1</sup> 120= 120W	X= Hazardous location	11= Single remote, 1 lamp	S1= Cl.I, Div.1&2, Gr.B S2= Cl.I, Div.1, Gr. C, D S3= Cl.I, Div.2, Gr. A, B, C, D S4= Cl.II, Div.1&2, Gr. E, F, G & Cl.III	Blank= no lamp	Blank= No sign P1= Single face LED Pictogram P2= Double face LED Pictogram	Blank= 120VAC U277= 277VAC input U347= 347VAC input	Blank= No options D3= Time delay (15 minutes) D4= Arrow Down 45° D9= Arrow Down TP= Transfer panel <sup>1</sup> U4= Arrow Up 45° U9= Arrow Up
LDX24= 24V	144= 144W		12= Single remote, 2 lamps 21= Double remote, 1 lamp each <sup>1</sup> Blank= no heads		LD7= 12V-4W MR16 LED LD9= 12V-5W MR16 LED LD10= 12V-6W MR16 LED LD13= 24V-4W MR16 LED			
			<sup>1</sup> Combo, no remote Exit sign capability.	<sup>1</sup> Not available with Pictogram sign.				<sup>1</sup> Not available with 12V-72W.

EXAMPLE: LDX1272X11S1LD7



## TYPICAL SPECIFICATIONS

Supply and install the **Ready-Lite® RFX-EX Series** remote Exit Sign. The exit housing shall be industrial grade 14-gauge steel and finished in grey enamel. The faceplate will be constructed of heavy-duty 14-gauge steel and feature universal knockout chevrons and the red letters shall not be less than 6" in height with a 3/4" stroke. The sign shall come complete with a \_\_\_\_\_ Volt LED lamp, and function from one voltage source only, in AC and DC current. The LED Lamp shall use **ALINGAP** LEDs and shall consume less than 5W in either AC or DC current.

The equipment shall be certified CSA C22.2 No. 137-M1981 for Hazardous Locations: Class \_\_\_\_\_, Division \_\_\_\_\_, Groups \_\_\_\_\_, with the temperature code: \_\_\_\_\_.

The equipment shall be certified 22.2 No. 141

The Exit Sign shall be **Ready-Lite®** Model: \_\_\_\_\_.

## TP SERIES TRANSFER PANEL:

Supply and install the **Ready-Lite® TP Series** transfer panel for hazardous location remote Exit Signs. The unit shall have two voltage inputs: \_\_\_\_\_ VAC and \_\_\_\_\_ VDC and shall be able to maintain an output of \_\_\_\_\_ V 25W for the permanent supply of a total of five remote LED Exit Signs.

The transfer panel shall be suitable for Class \_\_\_\_\_, Division \_\_\_\_\_, Group \_\_\_\_\_ or for a NEMA 1 environment.

The unit shall be **Ready-Lite®** Model: \_\_\_\_\_.

## POWER CONSUMPTION AND UNIT RATING

MODEL	AC SPECS		DC SPECS	
AC/DC red two-wire	6VAC	less than 5W	6VDC	less than 5W
	12VAC		12VDC	
	24VAC		24VDC	
	120VAC		120VDC	

\*NOTE: Exit Signs of 6, 12 or 24 V must be connected through transfer panels; maximum five Exit Signs per panel.

## 1. SEVERITY CODE SELECTION GUIDE

ENVIRONMENT	SEVERITY CODE
Class I Div.1 Groups A, B	S1
Class I Div.1 Groups C, D	S2N
Class I Div.2 Groups A, B, C, D	S3
Class II Div. 1 & 2 Groups E, F, G Class III Div.1 and 2	S4

## 2. TEMPERATURE CODES: MEASURED AT 40°C AMBIENT

SEVERITY CODE	S1	S2N	S3	S4
TEMPERATURE CODE	T6	T6	T4A	T6 (E, F, G)
CSA/UL RATING	maximum 85°C	maximum 85°C	maximum 85°C	maximum 85°C

## FEATURES

### REMOTE EXIT SIGN SERIES

- CSA Certified for use in hazardous locations:
  - Class I, Divisions 1, Groups A, B, C, D
  - Class II, Divisions 2, Groups A, B, C, D
  - Class III, Divisions 1 and 2
- Die-Cast aluminum body with grey epoxy powder coat finish
- Exit housing and faceplate made of industrial-grade 14-gauge steel and finished in grey enamel
- Faceplate features universal knockout chevrons
- Two-wire input circuit for both AC and DC inputs
- Available in 6, 12, 24 and 120VAC/DC
- LED lamp with **ALINGAP** LEDs; consumes less than 5W in AC and DC mode
- New, easy-to-build catalogue number based on the **Ready-Lite®** Severity Codes
- Listed CSA C22.2 No. 137-M1981
- Listed CSA 22.2 No. 141
- Also available as Self-Powered Exit Sign, battery unit and combo unit; see **LDX-EXP** catalogue sheet

### TP SERIES TRANSFER PANEL

- Available with explosion-proof housing (Class 1, Division 1) or NEMA-1 housing (for use outside the hazardous location area)
  - Standard AC input: 120VAC, optional 277VAC, 347VAC; standard DC input: 6, 12 or 24VDC
  - Two-wire output with permanently present AC/DC low voltage
  - Output power: 25W, can drive up to five (5) **RFX-EX** series remote exit signs
- See warranty details at: [www.tnb.ca/en/brands/ready-lite](http://www.tnb.ca/en/brands/ready-lite)

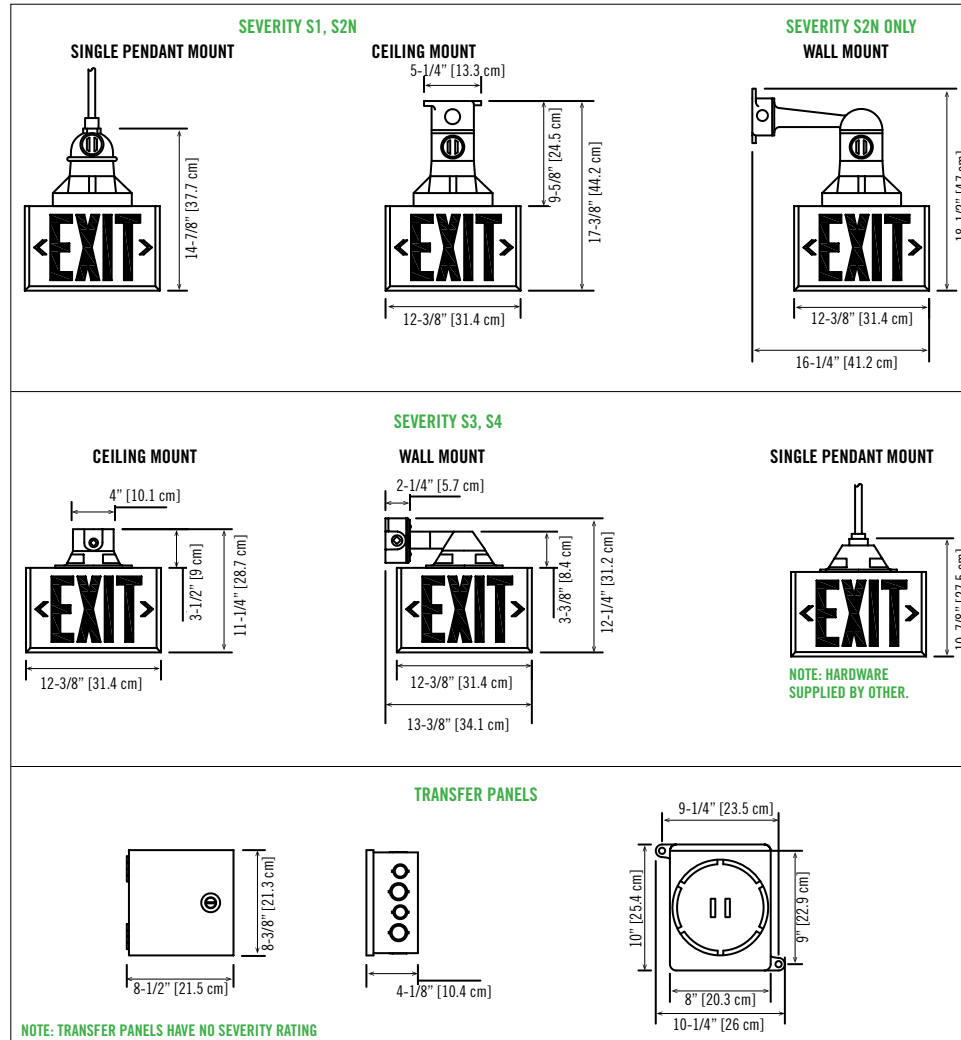
# RFX-EX SERIES

Hazardous Location Exit Sign  
TP Series Transfer Panels



## DIMENSIONS

Dimensions are approximate and subject to change.



## RFX-EX SERIES

Hazardous Location Exit Sign  
TP Series Transfer Panels



## ORDERING INFORMATION

Before ordering, identify the environment of your application: Class \_\_\_\_\_, Division \_\_\_\_\_, Group \_\_\_\_\_.  
Refer to table 1 for the Severity Code to use in your catalogue number. For temperature information, please see table 2.

### 3. RFX-EX

SERIES	SEVERITY CODE	MOUNTING	VOLTAGE
RFX-EXDF= exit double face C860 LED RFX-EXSF= exit single face C860 LED	S1= CL.I, Div.1, Gr. A, B S2N= CL.I, Div.1, Gr. C, D S3= CL.I, Div.2, Gr. A, B, C, D S4= CL.II, Div.1 & 2, Gr. E, F, G, CL.III, Div. 1 & 2	C= ceiling P= pendant <sup>1</sup> W= wall <sup>2</sup>	-6= 6V -12= 12V -24= 24V -120= 120V
		<sup>1</sup> Mounting hardware not included <sup>2</sup> Severity S2N, S3 and S4 only	

EXAMPLE: RFX-EXSFS1C-6

### 4. TRANSFER PANEL

AC VOLTAGE	DC VOLTAGE	SERIES	LOAD WATTAGE	HOUSING
120= 120VAC 277= 277VAC 347= 347VAC	-6= 6V -12= 12V -24= 24V -120= 120V	-TP= transfer panel	-25= 25W <sup>1</sup>	Blank= NEMA 1 XP= hazardous locations
			<sup>1</sup> 5 W required per DC "Exit" load	

EXAMPLE: 120-6-TP-25



# LDX-EXP-E LED SERIES

Battery Units,  
Self-Powered Exit Signs &  
Combination Units

**new product**



## TYPICAL SPECIFICATIONS

Supply and install the **Ready-Lite® LDX-EXP-E LED Series** of hazardous location battery equipment. The battery unit housing will be constructed of die cast aluminum with grey epoxy powder coat finish and equipped with heavyduty key holes for wall mounting. The equipment shall be rated for 120, 277 or 347V, 60 Hz input and be CSA listed. The equipment shall have an output of \_\_\_\_\_ V and \_\_\_\_\_ W and shall supply the rated load for a minimum of a 1/2 hour to 87,5% of the rated battery voltage. The battery shall be a long-life, maintenance-free lead-calcium type. The charger shall be fully computer tested and have its charge voltage set in the factory to ± 1% tolerance. The charger shall be current limited, temperature compensated, shortcircuit proof and reverse polarity protected. The charger shall be furnished with an electronic lockout circuit, which will connect the battery when the AC circuit is activated, and an electronic brownout circuit.

Where required the equipment shall come complete with \_\_\_\_\_ heads, each of them equipped with \_\_\_\_\_ lamp(s) of \_\_\_\_\_ W.

The head housing shall be Die-Cast aluminum with grey epoxy powder coat finish. The lenses shall be a clear, impact and heat resistant prismatic glass globe. The head shall be factory sealed, with no need for external seals.

Where required the equipment shall come complete with one Exit Sign and will include a transfer circuit to maintain the Exit Sign permanently lighting in both normal and emergency operation. The exit housing shall be industrial grade 14-gauge steel and finished in grey enamel. The faceplate will be constructed of heavy-duty 14-gauge steel.

The equipment shall be certified CSA C22.2 No.137-M1981 for Hazardous Locations:

Class \_\_\_\_\_, Division \_\_\_\_\_, Group \_\_\_\_\_.

The Pictogram Exit Sign shall be CSA C22.2 No.141-10 certified.

The equipment shall be **Ready-Lite®** Model: \_\_\_\_\_.

## CSA CERTIFIED FOR USE IN HAZARDOUS LOCATIONS

The **LDX-EXP-E LED Series** of battery equipment is designed to cover emergency lighting applications for the entire spectrum of hazardous locations, where inflammable gases, vapors, liquids, dust particles or fabrics tissues are permanently present or are likely to exist.

The **LDX-EXP-E LED Series** combines in one simple-to-order catalogue family three traditional emergency lighting products with battery back-up: battery units with emergency lights, Self-Powered Exit Signs, and combination units with emergency lights and Exit Sign. The equipment is also available with additional emergency power capacity to drive remote heads and Exit Signs.

## FEATURES

- CSA Certified for use in hazardous locations:
  - Class I, Division 1, Groups B, C, D
  - Class I, Division 2, Groups A, B, C, D
  - Class II, Divisions 1 and 2, Groups E, F, G
  - Class III, Divisions 1 and 2
- For wall mount only
- Die-Cast aluminum body with grey epoxy powder coat finish; clear, impact and heat resistant prismatic glass globe
- Long-life, maintenance-free Lead-Calcium battery
- Battery charger is current limited, temperature compensated, short-circuit proof and reverse polarity protected
- Emergency heads with one or twin lamp design
- Large Self-Powered combo includes a transfer circuit to drive an additional three (3) remote pictogram exit signs (total power max 15W)
- Easy-to-build catalogue number based on the **Ready-Lite®** Severity Codes
- Meets or exceeds CSA C22.2 No.141-10 & No. 137

See warranty details at: [www.tnb.ca/en/brands/ready-lite](http://www.tnb.ca/en/brands/ready-lite)

## POWER CONSUMPTION AND UNIT RATING

UNIT CAPACITY	INPUT VOLTAGE	INPUT RATING	WATTAGE CAPACITY				
			30MIN	1 H	1.5 H	2 H	4 H
12V-72W*	120V, 60Hz	0.25A, 25W	72	36	25	20	10
	277V, 60Hz	0.125A, 28W					
	347V, 60 Hz	0.115A, 28W					
12V-120W	120V, 60Hz	0.45A, 37W	120	60	40	30	15
	277V, 60Hz	0.209A, 42W					
	347V, 60 Hz	0.176A, 42W					
24V-144W	120V, 60Hz	0.465A, 38W	144	72	50	40	20
	277V, 60Hz	0.208A, 42W					
	347V, 60 Hz	0.178A, 42W					

NOTE: Combo, no remote Exit capability.

## TEMPERATURE CODES FOR LDX SERIES (BATTERY & EXIT COMBINATION UNITS)

SEVERITY CODE	S1	S2	S3	S4
TEMPERATURE CODE	T6 85°C (185°F)	T6 85°C (185°F)	T6 120°C (248°F)	T6 85°C (185°F)



# LDX-EXP-E LED SERIES

Battery Units, Self-Powered Exit Signs & Combination Units

## TEMPERATURE CODES: MEASURED AT 40°C AMBIENT

Explosion-proof equipment is composed of one or more modules, each of them qualified for a specific temperature code. The temperature code of the complete equipment (enclosure + exit sign + emergency heads) is defined as the most severe of the temperature codes identified for each of the modules below.

## TEMPERATURE CODES FOR LDX-EXP-P SERIES (BATTERY UNIT ENCLOSURE)

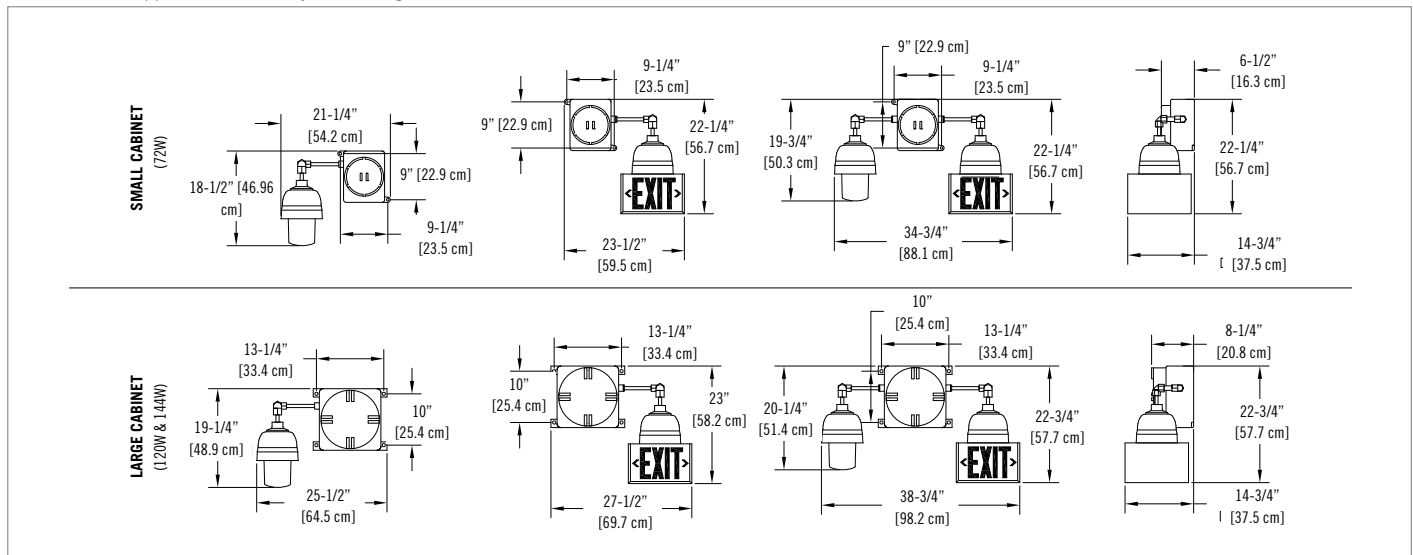
SEVERITY CODE	S1	S2	S3	S4
TEMPERATURE CODE	T6 85°C (185°F)	T6 85°C (185°F)	T6 120°C (248°F)	T6 85°C (185°F)

## SEVERITY CODE SELECTION CHART

ENVIRONMENT	SEVERITY CODE
Cl. I, Div. 1 & 2, Gr. B	S1
Cl. I, Div. 1, Gr. C, D	S2
Cl. I, Div. 2, Gr. A, B, C, D	S3
Cl. II, Div. 1 & 2, Gr. E, F, G & Cl. III	S4

## DIMENSIONS

Dimensions are approximate and subject to change.



## ORDERING CHART

DC VOLTAGE	CAPACITY	SERIES	LIGHTING HEAD STYLE	SEVERITY CODE	LAMP TYPE, VOLTAGE AND POWER	SIGN/FACE	AC VOLTAGE	OPTIONS
LDX12= 12V	-72= 72W <sup>1</sup> -120= 120W	EXP= Hazardous location	/11= Single remote, 1 lamp	S1= Cl.I, Div.1&2, Gr.B S2= Cl.I, Div.1, Gr. C, D S3= Cl.I, Div.2, Gr. A, B, C, D S4= Cl.II, Div.1&2, Gr. E, F, G & CLIII	Blank= no lamp	Blank= No sign E1= Single face LED Exit sign E2= Double face LED Exit sign	Blank= 120VAC U277= 277VAC input U347= 347VAC input	Blank= No options D3= Time delay (15 minutes) TP= Transfer panel <sup>1</sup>
LDX24= 24V	-144= 144W		/12= Single remote, 2 lamps /21= Double remote, 1 lamp each <sup>1</sup> Blank= no heads		LD7= 12V-4W MR16 LED LD9= 12V-5W MR16 LED LD10= 12V-6W MR16 LED LD13= 24V-4W MR16 LED			
			<sup>1</sup> Not available with Exit sign.					<sup>1</sup> Not available with 12V-72W.

EXAMPLE: LDX12-72EXP/11S1LD7E1



## RFX-CS SERIES

“Sortie” Sign and  
Transfer Panels for  
Hazardous Locations



### TYPICAL SPECIFICATIONS

Supply and install the **Ready-Lite® RFX-CS Series** remote “SORTIE” sign. The exit housing shall be industrial grade 14-gauge steel and finished in grey enamel. The faceplate will be constructed of heavy-duty \_\_\_\_\_ 14-gauge steel and feature universal knockout chevrons and the red letters shall not be less than 6” in height with a 3/4” stroke. The sign shall come complete with a \_\_\_\_\_ Volt LED lamp, and function from one voltage source only, in AC and DC current. The LED Lamp shall use **ALINGAP** LEDs and shall consume less than 5W in either AC or DC current.

The equipment shall be certified CSA C22.2 No. 137-M1981 for Hazardous Locations: Class \_\_\_\_\_, Division \_\_\_\_\_, Groups \_\_\_\_\_, with the temperature code: \_\_\_\_\_.

The equipment shall be certified 22.2 No. 141

The Sortie Sign shall be **Ready-Lite®** Model: \_\_\_\_\_.

### TP SERIES TRANSFER PANEL:

Supply and install the **Ready-Lite® TP Series** transfer panel for hazardous location remote Exit Signs. The unit shall have two voltage inputs: \_\_\_\_\_ VAC and \_\_\_\_\_ VDC and shall be able to maintain an output of \_\_\_\_\_ V 25W for the permanent supply of a total of five remote LED Exit Signs.

The transfer switch shall be suitable for Class \_\_\_\_\_, Division, Group \_\_\_\_\_, or for a NEMA 1 environment.

The unit shall be **Ready-Lite®** Model: \_\_\_\_\_.

### POWER CONSUMPTION AND UNIT RATING

MODEL	AC SPECS		DC SPECS	
AC/DC red two-wire	6VAC	less than 5W	6VDC	less than 5W
	12VAC		12VDC	
	24VAC		24VDC	
	120VAC		120VDC	

\*NOTE: SORTIE signs of 6, 12 or 24 V must be connected through transfer panel; maximum five sortie signs per panel.

### 1. SEVERITY CODE SELECTION GUIDE

ENVIRONMENT	SEVERITY CODE
Class I Div.1 Groups A, B	S1
Class I Div.1 Groups C, D	S2N
Class I Div.2 Groups A, B, C, D	S3
Class II Div. 1 & 2 Groups E, F, G Class III Div.1 and 2	S4

### 2. TEMPERATURE CODES: MEASURED AT 40°C AMBIENT

SEVERITY CODE	S1	S2N	S3	S4
TEMPERATURE CODE	T6	T6	T4A	T6 (E, F, G)
CSA/UL RATING	maximum 85°C	maximum 85°C	maximum 85°C	maximum 85°C

### FEATURES

#### REMOTE SORTIE SIGN SERIES

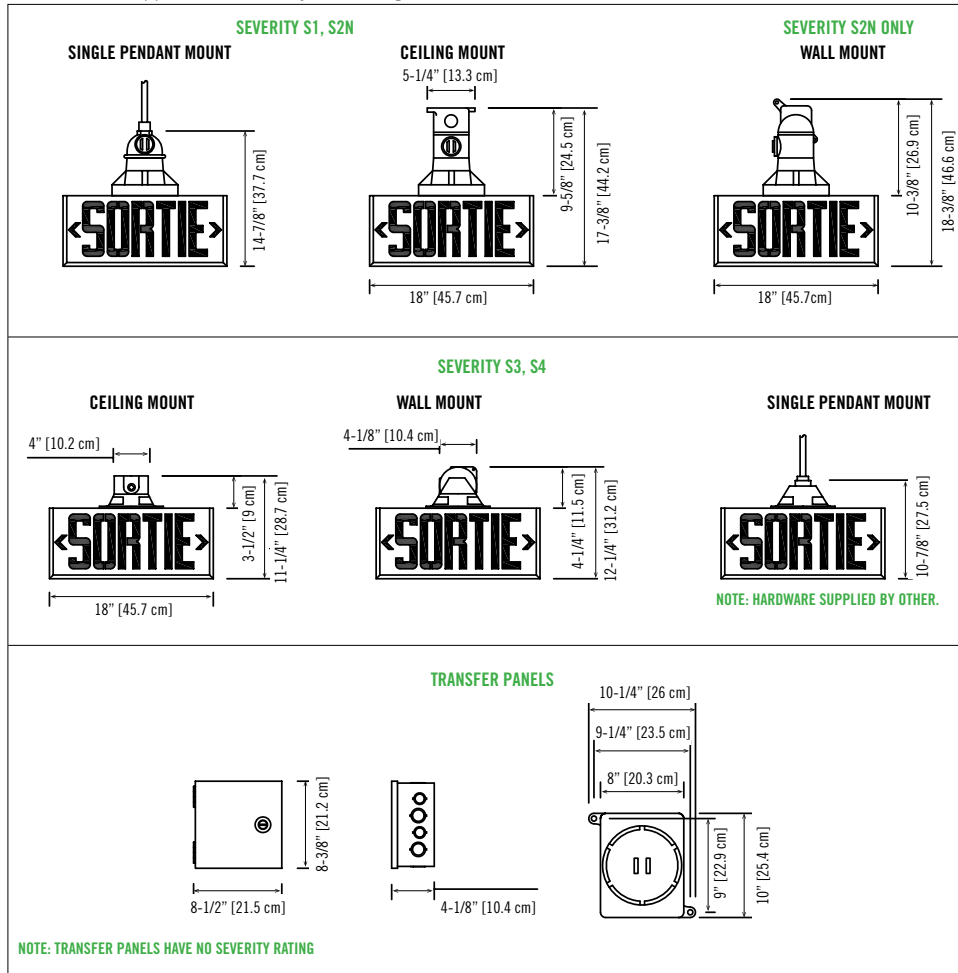
- CSA certified for use in hazardous locations:
  - Class I, Divisions 1, Groups A, B, C, D
  - Class II, Divisions 2, Groups A, B, C, D
  - Class III, Divisions 1 and 2
- Die-Cast aluminum body with grey epoxy powder coat finish
- Sortie Sign housing and faceplate made of 14-gauge steel, grey enamel finish
- Faceplate features universal directional chevrons (knockouts)
- Two-wire circuit for both AC and DC inputs
- Available in 6, 12, 24 and 120VAC/DC
- Light source is **ALINGAP** LEDs; consumes less than 5W in AC or DC mode
- New, easy-to-build catalog number based on the **Ready-Lite®** severity codes
- Listed CSA C22.2 No. 137-M1981
- Listed CSA 22.2 No. 141
- Also available as Self-Powered Exit Sign, battery unit and combo unit; see **LDX-EXP-S** catalogue sheet

#### TP SERIES TRANSFER PANEL

- Available with housing for hazardous locations (Class 1, Division 1) or NEMA-1 housing (for use outside the hazardous location area)
- Standard AC input: 120VAC, optional: 277VAC, 347VAC
- Standard DC input: 6, 12 or 24VDC
- Two-wire output with permanently present AC/DC low voltage
- Output power: 25W, can drive up to five (5) remote units Series **RFX-CS**  
See warranty details at: [www.tmb.ca/en/brands/ready-lite](http://www.tmb.ca/en/brands/ready-lite)

## DIMENSIONS

Dimensions are approximate and subject to change.



## RFX-CS SERIES

"Sortie" Sign and Transfer Panels for Hazardous Locations



## ORDERING INFORMATION

Before ordering, identify the environment of your application: Class \_\_\_\_\_, Division \_\_\_\_\_, Group \_\_\_\_\_ . Refer to table 1 for the Severity Code to use in your catalogue number. For temperature information, please see table 2.

### 3. RFX-CS

SERIES	SEVERITY CODE	MOUNTING	VOLTAGE
RFX-CSDF= sortie double face RFX-CSSF= sortie single face	S1= CL.I, Div.1&2, Gr. A, B S2N= CL.I, Div.1&2, Gr. C, D S3= CL.I, Div.2, Gr. A, B, C, D S4= CL.II, Div.1, & 2 Gr.E, F, G CL.III, Div.1 & 2	C= ceiling P= pendant <sup>1</sup> W= wall <sup>2</sup>	6= 6V 12= 12V 24= 24V 120= 120V

<sup>1</sup> Mounting hardware not included  
<sup>2</sup> Wall mount only available for severities S2N, S3 and S4, single face.

EXAMPLE: RFX-CSSF1C6

### 4. TRANSFER PANEL

AC VOLTAGE	DC VOLTAGE	SERIES	LOAD WATTAGE	HOUSING
120= 120VAC 277= 277VAC 347= 347VAC	-6= 6V -12= 12V -24= 24V -120= 24V	-TP= transfer panel	-25= 25W <sup>1</sup>	Blank= NEMA 1 XP= hazardous locations

<sup>1</sup> 5W required per DC "Sortie" load

EXAMPLE: 120-6-TP-25XP



## LDX-EXP-S LED SERIES

Battery Units, Self-Powered "Sortie" Signs & Combination Units

**new product**



### TYPICAL SPECIFICATIONS

Supply and install the **Ready-Lite® LDX-EXP-S LED Series** of hazardous location battery equipment. The battery unit housing will be constructed of die cast aluminum with grey epoxy powder coat finish and equipped with heavyduty key holes for wall mounting. The equipment shall be rated for 120, 277 or 347V, 60 Hz input and be CSA listed. The equipment shall have an output of \_\_\_\_\_ V and \_\_\_\_\_ W and shall supply the rated load for a minimum of a 1/2 hour to 87,5% of the rated battery voltage. The battery shall be a long-life, maintenance-free lead-calcium type. The charger shall be fully computer tested and have its charge voltage set in the factory to ± 1% tolerance. The charger shall be current limited, temperature compensated, shortcircuit proof and reverse polarity protected. The charger shall be furnished with an electronic lockout circuit, which will connect the battery when the AC circuit is activated, and an electronic brownout circuit.

Where required the equipment shall come complete with \_\_\_\_\_ heads, each of them equipped with \_\_\_\_\_ lamp(s) of \_\_\_\_\_ W.

The head housing shall be Die-Cast aluminum with grey epoxy powder coat finish. The lenses shall be a clear, impact and heat resistant prismatic glass globe. The head shall be factory sealed, with no need for external seals.

Where required the equipment shall come complete with one Exit Sign and will include a transfer circuit to maintain the Exit Sign permanently lighting in both normal and emergency operation. The exit housing shall be industrial grade 14-gauge steel and finished in grey enamel. The faceplate will be constructed of heavy-duty 14-gauge steel.

The equipment shall be certified CSA C22.2 No.137-M1981 for Hazardous Locations:

Class \_\_\_\_\_, Division \_\_\_\_\_, Group \_\_\_\_\_.

The Pictogram Exit Sign shall be CSA C22.2 No.141-10 certified.

The equipment shall be **Ready-Lite®** Model: \_\_\_\_\_.

### CSA CERTIFIED FOR USE IN HAZARDOUS LOCATIONS

The **LDX-EXP-S LED Series** of battery equipment is designed to cover emergency lighting applications for the entire spectrum of hazardous locations, where inflammable gases, vapors, liquids, dust particles or fabrics tissues are permanently present or are likely to exist.

The **LDX-EXP-S LED Series** combines in one simple-to-order catalogue family three traditional emergency lighting products with battery back-up: battery units with emergency lights, Self-Powered Sortie Signs, and combination units with emergency lights and Sortie Sign. The equipment is also available with additional emergency power capacity to drive remote heads and Sortie Signs.

### FEATURES

- CSA Certified for use in hazardous locations:
  - Class I, Division 1, Groups B, C, D
  - Class I, Division 2, Groups A, B, C, D
  - Class II, Divisions 1 and 2, Groups E, F, G
  - Class III, Divisions 1 and 2
- For wall mount only
- Die-Cast aluminum body with grey epoxy powder coat finish; clear, impact and heat resistant prismatic glass globe
- Long-life, maintenance-free Lead-Calcium battery
- Battery charger is current limited, temperature compensated, short-circuit proof and reverse polarity protected
- Emergency heads with one or twin lamp design
- Large Self-Powered combo includes a transfer circuit to drive an additional three (3) remote pictogram exit signs (total power max 15W)
- Easy-to-build catalogue number based on the **Ready-Lite®** Severity Codes
- Meets or exceeds CSA C22.2 No.141-10 & No. 137

See warranty details at: [www.tnb.ca/en/brands/ready-lite](http://www.tnb.ca/en/brands/ready-lite)

### POWER CONSUMPTION AND UNIT RATING

UNIT CAPACITY	INPUT VOLTAGE	INPUT RATING	WATTAGE CAPACITY				
			30MIN	1 H	1.5 H	2 H	4 H
12V-72W*	120V, 60Hz	0.25A, 25W	72	36	25	20	10
	277V, 60Hz	0.125A, 28W					
	347V, 60 Hz	0.115A, 28W					
12V-120W	120V, 60Hz	0.45A, 37W	120	60	40	30	15
	277V, 60Hz	0.209A, 42W					
	347V, 60 Hz	0.176A, 42W					
24V-144W	120V, 60Hz	0.465A, 38W	144	72	50	40	20
	277V, 60Hz	0.208A, 42W					
	347V, 60 Hz	0.178A, 42W					

NOTE: Combo, no remote Sortie capability.

### TEMPERATURE CODES FOR LDX SERIES (BATTERY & SORTIE COMBINATION UNITS)

SEVERITY CODE	S1	S2	S3	S4
TEMPERATURE CODE	T6 85°C (185°F)	T6 85°C (185°F)	T6 120°C (248°F)	T6 85°C (185°F)



## LDX-EXP-S LED SERIES

Battery Units, Self-Powered  
"Sortie" Signs & Combination Units

### TEMPERATURE CODES: MEASURED AT 40°C AMBIENT

Explosion-proof equipment is composed of one or more modules, each of them qualified for a specific temperature code. The temperature code of the complete equipment (enclosure + sortie sign + emergency heads) is defined as the most severe of the temperature codes identified for each of the modules below.

### TEMPERATURE CODES FOR LDX-EXP-P SERIES (BATTERY UNIT ENCLOSURE)

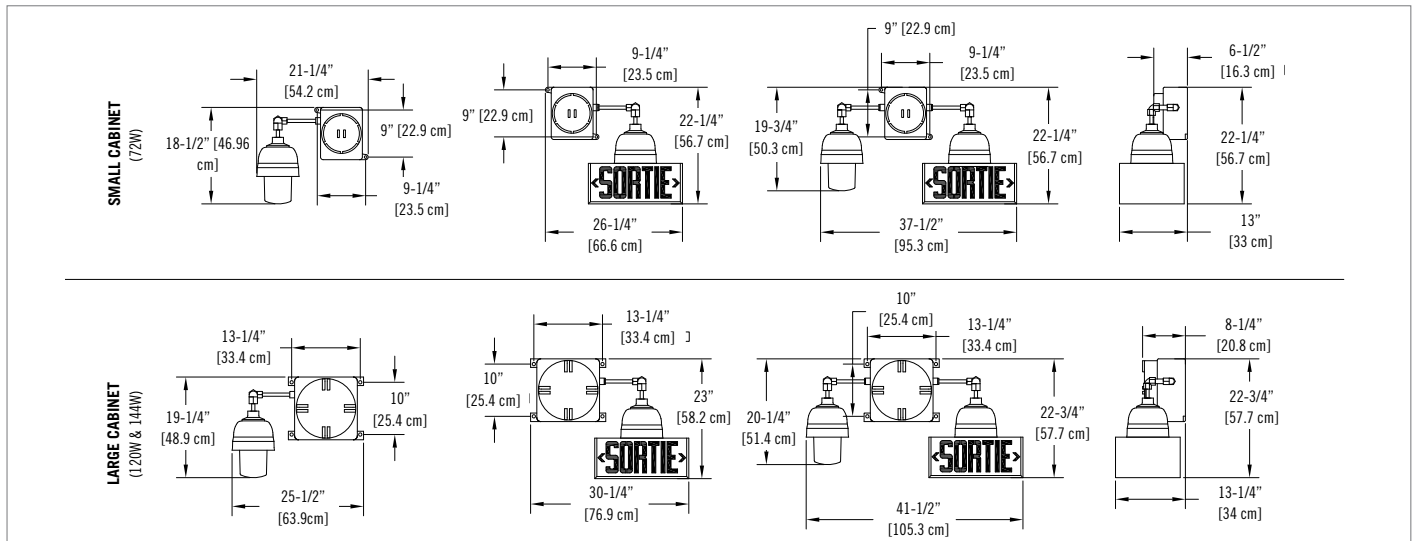
SEVERITY CODE	S1	S2	S3	S4
TEMPERATURE CODE	T6 85°C (185°F)	T6 85°C (185°F)	T6 120°C (248°F)	T6 85°C (185°F)

### SEVERITY CODE SELECTION CHART

ENVIRONMENT	SEVERITY CODE
Cl. I, Div. 1 & 2, Gr. B	S1
Cl. I, Div. 1, Gr. C, D	S2
Cl. I, Div. 2, Gr. A, B, C, D	S3
Cl. II, Div. 1 & 2, Gr. E, F, G & Cl. III	S4

### DIMENSIONS

Dimensions are approximate and subject to change.



### ORDERING CHART

DC VOLTAGE	CAPACITY	SERIES	LIGHTING HEAD STYLE	SEVERITY CODE	LAMP TYPE, VOLTAGE AND POWER	SIGN/FACE	AC VOLTAGE	OPTIONS
LDX12= 12V	-72= 72W <sup>1</sup> -120= 120W	EXP= Hazardous location	/11= Single remote, 1 lamp	S1= Cl. I, Div. 1&2, Gr. B	Blank= no lamp	Blank= No sign	Blank= 120VAC U277= 277VAC input U347= 347VAC input	Blank= No options D3= Time delay (15 minutes) TP= Transfer panel <sup>1</sup>
LDX24= 24V	-144= 144W		/12= Single remote, 2 lamps	S2= Cl. I, Div. 1, Gr. C, D	LD7= 12V-4W MR16 LED	S1= Single face LED Sortie sign		
			/21= Double remote, 1 lamp each <sup>1</sup>	S3= Cl. I, Div. 2, Gr. A, B, C, D	LD9= 12V-5W MR16 LED	S2= Double face LED Sortie sign		
			Blank= no heads	S4= Cl. II, Div. 1&2, Gr. E, F, G & Cl. III	LD10= 12V-6W MR16 LED			
					LD13= 24V-4W MR16 LED			

EXAMPLE: LDX12-72EXP/11S1LD7S1



## RT SERIES

Power-Free Pictogram

### FEATURES

- Illumination provided by borosilicate glass tubes, internally coated with zinc sulphide phosphor and filled with tritium gas
- Minimum brightness at time of manufacture is 0.132 foot-lambert (0.452 cd/m<sup>2</sup>)
- Decorative, slim-line heavy-duty ABS housing
- Rugged, impact-resistant polycarbonate face
- Spark-free construction
- Simple installation – universal direction capability, comes complete with universal mounting hardware
- Stands up to extreme temperatures in outdoor or indoor applications
- Life expectancy of 10-year
- Available in single or double face
- Certified to standard UL924 (ULC-S572)
- Pictogram Sign includes universal stencils (straight from here, left from here and right from here)

See warranty details at: [www.tnb.ca/en/brands/ready-lite](http://www.tnb.ca/en/brands/ready-lite)

### ORDERING INFORMATION: PICTOGRAM SIGN

SERIES	FACEPLATES AND MOUNTING	FRAME COLOURS	LIFE YEARS	OPTIONS
RT= pictogram sign	1 = single face universal mount and chevrons 2 = double face universal mount and chevrons	AF = aluminum frame B= black G= grey W= white	10= 10 years	PC = polycarbonate shield VR = vandal cover

EXAMPLE: RT1AF10

Unlike Exit or Sortie, the Pictogram Sign is not available in double arrow configuration.



### TYPICAL SPECIFICATIONS

Supply and install **RT** (PICTOGRAM) Series Self-Luminous Exit Signs. The Exit Sign shall be constructed of a thermoplastic housing and be corrosion proof. The sealed housing will incorporate no loose or removable parts allowing for easy installation. The standard minimum guaranteed life will be 10 years. The standard mounting brackets will allow for either end/ceiling or wall mount. Standard "Exit" and "Sortie" Signs shall be supplied with white letters that are 6" high by 3/4" stroke. The initial average minimum brightness shall be 0.132 foot-lambert (0.452 cd/m<sup>2</sup>).

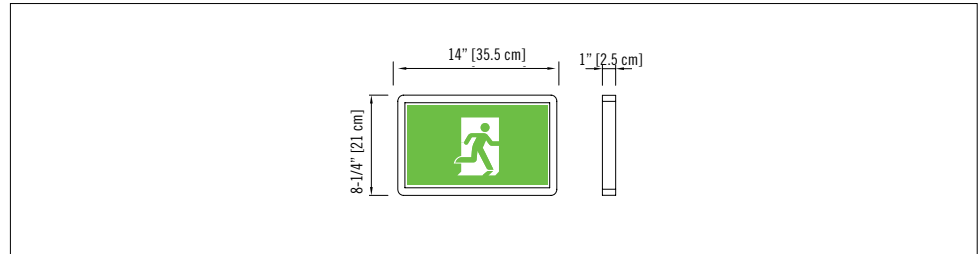
The equipment shall be **Ready-Lite®** Model: \_\_\_\_\_ .

### WIRE GUARDS

460.0079-RL	wall mount
460.0027-RL	end mount
460.0028-RL	ceiling mount

### DIMENSIONS

Dimensions are approximate and subject to change.







## TYPICAL SPECIFICATIONS

Custom-worded, illuminated signage is available using the same sturdy construction and electrical design as **Ready-Lite**® Exit Signage.

A wide range of sign body options and colour choices are available to suit any application.

Contact your local **Ready-Lite**® sales representative to discuss your specific requirements.



## SPECIAL WORDING

Illuminated Signage

## EXAMPLES



## FEATURES

- The same sturdy construction and electrical design used in our Exit Signs is used to produce our custom-worded, illuminated signage
- Sign bodies - steel, extruded and Die-Cast aluminum, weatherproof, flame-retardant polycarbonate, recessed housing
- Also available with Self-Powered canopy and with emergency lamps
- Custom wording – any style of lettering, any language, any alphabet, any special characters
- Graphics – logos, standard symbols, custom art
- Colour choices – sign bodies, message, faceplate panel
- Illumination – LED (light-emitting diodes) – other light sources available - consult representative
- White-out, black-out and split picture options

### WHITE-OUT OPTION

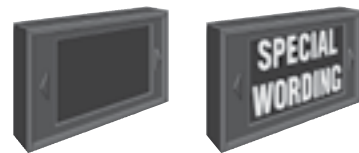


NON-ILLUMINATED

ILLUMINATED

When the sign is non-illuminated the acrylic panel in the faceplate appears blank white. The message appears only when the sign is illuminated.

### BLACK-OUT OPTION



NON-ILLUMINATED

ILLUMINATED

When the sign is non-illuminated the acrylic panel in the faceplate appears black. The message appears only when the sign is illuminated.

# THE EXIT GLOSSARY

<b>AD</b>	Auto-Diagnostics, audible	Automatically tests and continuously monitors your emergency lighting unit. If a problem occurs, the unit will send a visual (flashing or blinking LED indicator) and audible warning. Complies with Fire Code requirements.
<b>ADN</b>	Auto-Diagnostics, non-audible	Automatically tests and continuously monitors your emergency lighting unit. If a problem occurs, the unit will send a visual (flashing or blinking LED indicator) warning. Complies with Fire Code requirements.
<b>CW1</b>	Cold weather, 120VAC	120VAC input cold weather protection feature for applications where temperatures can reach -40° C.
<b>CW3</b>	Cold weather, 347VAC	347VAC input cold weather protection feature for applications where temperatures can reach -40° C.
<b>D3</b>	15 minutes time delay	Normally, when the A.C. is restored, all emergency lighting lamps are turned off. However, in some cases such as when metal halide lamps are used, it is possible that the general lighting will not be available for several minutes after the blackout (or brownout) period. Battery units with the D3 option will keep some energy in store to ensure that the emergency lighting stays on or comes back on for at least 15 minutes once the regular A.C. power has been restored.
<b>NEX</b>	NEXUS® wired system interface	The NEXUS® system interface is a computerized maintenance system for emergency lighting that, once programmed, will perform the tests, keep written records and send notification if anything needs to be fixed. One full system can address hundreds of units in as many buildings as you need from a single location.
<b>NEXRF</b>	NEXUS® wireless system interface	The NEXUS® wireless system interface is a computerized maintenance system for emergency lighting that, once programmed, will perform the tests, keep written records and send notification if anything needs to be fixed. One full system can address hundreds of units in as many buildings as you need from a single location.
<b>TP</b>	Tamper-proof screws	Screws that require a special bit. Can be used on certain units to deny access to unauthorized personnel.





# BATTERY UNITS

					
OVERVIEW P. 76-77	CADILITE® P. 78-79	INVISLITE™ P. 80	MINI INVISLITE P. 81	LDX-VQ P. 82-83	LDX-T P. 84-85
					
LDXA P. 86	LDXC P. 87	LDX P. 88-89	DECOCAB LEGEND™ P. 90-91	LDX HP P. 92-93 <sup>n</sup>	LDXC-BLD P. 94 <sup>n</sup>
					
AVENGER™ P. 95	ULTIMA P. 96-97	MULT <sup>n</sup> P. 98-99	RCB-HO SERIES P. 100	RCSB P. 101	TUF-NM P. 102-103
					
RHP P. 104-105	RHZ <sup>n</sup> P. 106-107	LDX-NX P. 108-109	LDX-HZ P. 110-111	IPR-LEDN <sup>n</sup> P. 112	GLOSSARY P. 113

<sup>n</sup> = new product

# TABLE OF CONTENTS

# BATTERY UNITS OVERVIEW

## LIFE SAFETY EQUIPMENT

Emergency Lighting, as part of Life Safety Equipment, is one of the key elements to ensure public safety within buildings. In the event of failure of the normal power supply, Self-Powered units automatically provide the illumination required to evacuate the building in safe conditions.

## STANDARDS AND CODES

Requirements for the installation, level, and duration of emergency lighting in buildings are established by national standards: The National Building Code of Canada (NBCC-2015), the Canadian Electrical Code (CEC), and the National Fire Code of Canada (NFCC-2015). Concerning the equipment, performance is established by the Canadian Standards Association (CSA), for example, C22.2 No.141-15, C860, etc. Emergency lighting equipment is divided into two main categories: Self-Powered emergency lighting equipment, also referred to as “unit equipment for emergency lighting”, and central emergency power systems (separate emergency electrical power supply).

## SELF-CONTAINED (OR SELF-POWERED) EQUIPMENT

The most common Self-Powered unit consists of a 6V lead battery and two lamp heads, also referred to as emergency lights, each with a 4W LED lamp. Lamps are normally off; the storage battery has sufficient capacity to actuate and maintain the emergency lighting for at least 30 minutes in the event of a power failure. In some applications described in the National Building Code of Canada, the minimum emergency lighting period can reach 60 minutes or even 120 minutes. This will require battery units of greater capacity. Once normal AC power supply is restored, heads will turn off, the fixture recharges the batteries to full capacity within 24 hours, then returns to the standby mode.

## BATTERY UNITS AND REMOTE HEADS

There are also battery-powered units that will supply power to several remote emergency lights of different wattages (12W, 20W, 50W, etc.). In this case, remote emergency lights (also referred to as remote heads) are installed in rooms and corridors, connected by wiring installed inside the walls. Some 6V self-contained fixtures can assume a total emergency lighting load up to 150W – 180W. At this level, the battery current (25A – 30A) begins to generate significant losses in the external wiring. For this reason, there are battery units of higher voltages, 12V and 24V, which can respectively supply power to remote heads totaling up to 360W and 720W.

## CENTRAL SYSTEMS

A higher wattage capacity emergency system is a Central System. In the event of a utility power failure, Central Systems continue to supply power to the emergency lighting equipment as well as other critical loads. A Central System that supplies power during a utility power failure is an emergency power system, the Alternating Current Central System (AC inverter). The electric power supplied by this system can vary from a few KVAs to 54 KVAs.

## INDUSTRIAL ENVIRONMENT

The industrial environment is the most severe in terms of housing construction requirements. It is defined by several parameters specific to various technical processes within the industry: temperature range, degree of humidity, degree of protection against water and dust, resistance to corrosive chemicals, presence of flammable gases and vapors or combustible particles, etc. An important performance factor is the degree of protection against solid particles (dust, etc.) and liquids. This rating is generally defined and measured as established by the American standard NEMA 250-2003 from the National Electrical Manufacturers Association, or, alternately, the European IP (ingress protection) code of the International Electrotechnical Commission (IEC 60529 standard). To accomplish the required degree of protection and resistance to corrosive agents, emergency lighting fixtures are designed/fabricated with gasketed, rugged, polycarbonate or fiberglass housings. A special category exists covering hazardous areas, defined by technological processes generating (or susceptible to generate) flammable gases, vapors, flammable liquids or combustible dust particles in explosive concentrations in the atmosphere. For more details on definitions and classifications of hazardous areas, consult the Canadian Electrical Code (CSA C22. 1-15).

Considering the risks of explosion or fire, all equipment dedicated to hazardous areas must meet, special standards such as CSA C22.2 No. 30-M1986, No. 137-M1981, No. 213-M1987, etc. Based on each respective classification (Class, Division, Group, Zones), enclosures and remote heads for hazardous areas are fabricated of materials which must meet stringent requirements (pure forged aluminum, fiberglass, etc.) and may require specific components, such as seals, valves, gasketing, etc in addition to standards specific to emergency lighting. In view of all these additional specific characteristics, it can be expected that emergency lighting equipment approved for hazardous areas will cost more than fixtures classified for general industrial applications.

Considering the risks of explosion or fire, all equipment dedicated to hazardous areas must meet, in addition to standards specific to emergency lighting, special standards such as, CSA C22.2 No. 30-M1986, No. 137-M1981, No. 213-M1987, etc. Based on each

# BATTERY UNITS OVERVIEW

respective classification (Class, Division, Group), enclosures and remote heads for hazardous areas are fabricated with materials that must meet stringent requirements (pure forged aluminum, fiberglass, etc.) and may require specific components, such as seals, valves, gasketing, etc.

## EMERGENCY LIGHTING ENCLOSURES

Construction requirements for emergency lighting fixtures depends on the location where the equipment can be installed. Of all the components, the enclosure (box or housing) is probably the most affected by the type of environment where it is located.

The enclosure plays many roles: it provides the fixture with a degree of protection against the environmental conditions, while meeting technical, aesthetic and functional requirements. Of course, cost can also be a deciding factor when selecting a fixture.

In general, non-residential lighting is divided in three market segments: commercial, institutional and industrial. This market segmentation still applies in the case of emergency lighting. Typically, the commercial and institutional sectors are more sensitive to aesthetics, whereas the industrial sector is more influenced by the technical aspects (fixture durability, etc.).

## COMMERCIAL AND INSTITUTIONAL ENVIRONMENTS

Commercial spaces (stores, restaurants, theatres, hotels, etc.) as well as institutions are generally air conditioned, so the equipment operates in normal temperature and humid conditions. The most common design for self-contained units uses sheet metal housings of a neutral colour: white or whist. For the most part, exit signs are housed in a rectangular box fabricated of steel (sheet metal) die-cast or extruded aluminum, and illuminated from a LED light source contained within the assembly (back-lit). Some molded plastic housings also exist (less expensive material, but also less rigid than metal) – mostly used for small battery units (lower wattages) and EXIT signs in some applications. Even if aesthetics is a secondary criterion, we continue to develop products which offer a more contemporary look.

## AESTHETICS AND ARCHITECTURE

Aesthetics and architecture are often the most important criteria on the decision process. Some hotel chains, high-end stores and corporate headquarters are excellent examples.

In these situations, the architect and the lighting designer have a great influence in specifying emergency lighting fixtures. The question becomes – what will the architect prefer, a more decorative, unique look or a more unobtrusive, discreet one? Battery units are becoming

increasingly discreet. The specifier can opt for a higher capacity unit (e.g.: 24V, 720W or a central System) installed in a hidden location, to supply power to remote heads distributed throughout the building. Another option would be to install recessed self-contained units concealed in the ceiling (T-bar), each with two lamp heads and additional capacity for remote heads. There are also single-lamp battery units that can be recessed in the ceiling. As for remote heads, they are generally fabricated of forged aluminum and contain MR16 LED lamps. It is also possible to conceal the battery units as well as the lamp heads entirely. For example, both the lamp heads and the housing of the

To address specifiers' needs for aesthetics, we have developed new products for high end emergency lighting: dual-function decorative luminaires providing both normal lighting and emergency lighting. The lamps are powered by one of the two independent electrical circuits: AC circuit for normal lighting (including the wall switch), and an uninterrupted AC circuit for the battery charger and control of the emergency lighting. Since normal lighting levels are higher than those required for emergency lighting, we also offer the same type of luminaire for normal lighting only. This option provides the end user with the possibility of alternating self-contained units with standard lighting fixtures, while maintaining consistency of design.

The Mini-Inverter acts like a central system but with less installation concerns and lower initial investment. Existing fixtures can function as emergency lighting with a Mini-Inverter. As an alternative to separate lighting fixtures, normally on light fixtures can be connected to the Mini-Inverter so they will function in an emergency. For specifiers who wish to preserve a design aesthetic in high-visibility areas, this option is extremely beneficial.



## TYPICAL SPECIFICATIONS

Supply and install the **Cadilite® Series** of LED emergency lighting from **Ready-Lite®**. The unit body shall include a back-plate and housing made of Die-Cast aluminum with paint finish colour: \_\_\_\_\_ and a UV- and impact-resistant polycarbonate lens of reduced size: 3-in by 1.5-in. The back-plate shall have knockouts for wires and wall-mount installation box as well as a threaded hole for rigid conduit entry at the top of the unit. The back-plate shall have a built-in electrical box with wire terminals and snap-on connector. After complete electrical installation of the back-plate the equipment housing shall be installed by a simple push & snap over the back-plate. The emergency lights shall be 4 (four) power light-emitting diodes (LED) with operational life of minimum 36,000 hours, maintaining at least 70% of the initial light level (reported L70). The LED lamps shall have redundant interconnections: eventual failure of one lamp shall allow other LED lamps to function. The unit shall have a dual-voltage input rated 120/347VAC, 60Hz. The battery charger shall include low voltage disconnect to prevent deep discharge, battery lockout to prevent battery drain prior to energizing the utility power, and brownout protection which will automatically switch the unit into emergency mode if the utility power falls below 80% of nominal level. The unit with Nickel-Metal Hydride battery shall be equipped with a micro-controller-based non-audible auto-test circuit and provide minimum 90 minutes of emergency lighting.

The unit shall self-test for one minute every month, 30 minutes every six months and 90 minutes annually. The pilot light shall be integrated with the test button; it shall be a bi-colour LED and shall change colour from normal green to flashing red when a failure is detected from the battery, charger circuit or lamps. A label located near the pilot light shall describe the diagnostic for each flashing code. When specified, models with dual-mode illumination shall include two separate AC input circuits: un-switched for emergency lighting and switched for normal lighting. When specified, models equipped with photo-switch shall automatically activate the normal lighting only from dusk till dawn, for additional energy savings. The typical ambient illumination for the photo-switch shall be 10 lux (to turn-on) and 30 lux (to turn-off). When specified, the unit shall be controlled by an infrared remote control keypad (ordered separately). The remote control shall be able to simulate a power failure of 1 minute, 30 minutes or 90 minutes and also to cancel the test in progress at any time. For units with dual-mode lighting the remote keypad shall also control the normal lighting with on/off switch and dimming functions. The unit shall be certified to CSA 22.2 No.141-15-10 for minimum 90 minutes and No.250.0-08 standards.

The unit shall be **Ready-Lite®** model: \_\_\_\_\_.

## CADILITE® FAMILY



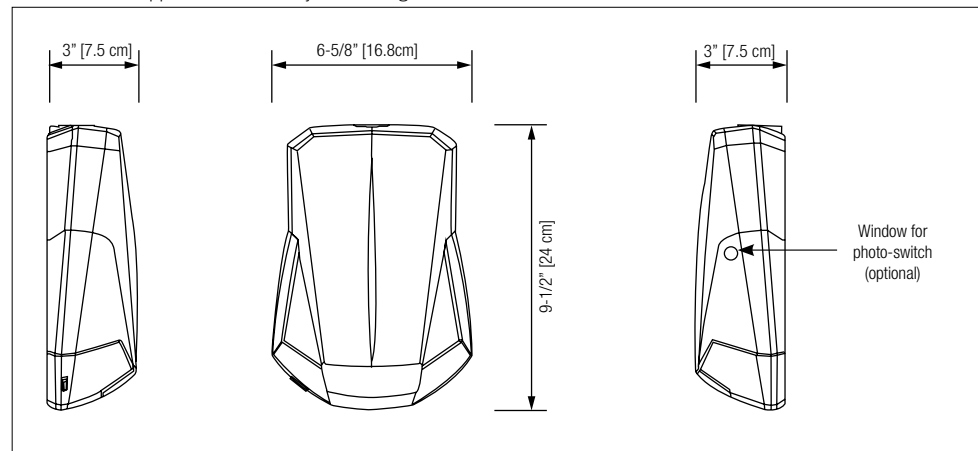
## POWER CONSUMPTION

MODEL TYPE	AC SPECS: 120/347VAC				6-12VDC REMOTE
	NORMAL LIGHTING		EMERGENCY LIGHTING		
	CURRENT (MAX)	POWER (MAX)	CURRENT (MAX)	POWER (MAX)	POWER (MAX)
ACSD, SD, SD-H	0.12/0.05 A	12W	0.05/0.02 A	5W	NiMH battery
SD-CW	-	-	0.16/0.06 A	16W	
ACSD-CWP, -CW-RC	not required*		0.24/0.10 A	24W	

\*Note: Only unswitched AC input; normal lighting with photo-switch or remote control

## DIMENSIONS

Dimensions are approximate and subject to change.



# CADILITE® SERIES

Rugged, Versatile, Sophisticated

## FEATURES

- Die-Cast aluminum housing, available in four finishes: dark bronze, off-white, black, and platinum grey
  - Nema-3R Rated for indoor/outdoor wet and damp locations: -20°C to 50°C
  - Wall-mount installation on various junction boxes or via rigid conduit
  - Patent-pending design for easy installation: wall-mount backplate includes electrical wire box with snap-on connector
  - Patent-pending light engine: four power LEDs with redundant inter-connections and very wide beam
  - Clear polycarbonate lens of reduced size (3" x 1.5"), shock-absorbent and UV-resistant
  - Battery: high-temperature rated, Nickel-Metal Hydride technology
  - Power consumption in stand-by: less than 5W
  - Self-Test and diagnostic functions operated by micro-controller
  - Certified to CSA 22.2 No.141-15-10 and No.250.0-08 standards
  - 90 minutes run time
- See warranty details at: [www.tnb.ca/en/brands/ready-lite](http://www.tnb.ca/en/brands/ready-lite)

## OPTIONS

- Cold weather: (-40°C)
- Forward-throw light distribution, for applications of outdoor exit discharge (OSHA 1910.36)
- High-lumen output: 25 to 50% additional level of illumination compared to standard models
- Dual-mode operation: normal lighting and/or emergency lighting with separate AC inputs
- Photo-switch: dusk-to-dawn control of normal lighting
- Remote test: infrared remote control (keypad ordered separately)
- Time delay: 15 minutes





## CADILITE® SERIES

Rugged, Versatile, Sophisticated

**TABLE A: SPACING FOR AVERAGE 1FC/NATIONAL BUILDING CODE, CANADA**

MODEL TYPE	MOUNTING HEIGHT	WATTAGE CAPACITY	
		SINGLE	CENTRE-TO-CENTRE
standard	9'	6' X 50'	6' X 50'
with option -H	11'	6' X 60'	6' X 60'
with option -FT	12'	6' X 40'	3' X 70'
with option -FTH	15'	6' X 50'	-

Indoor reflectance: 80/50/20 and 10-ft wide corridor.  
Outdoor reflectance: 0/30/10

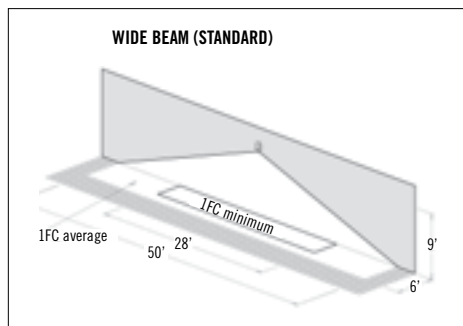
Note: The illumination level meets ALL the requirements of the National Building Code-Canada and the Life Safety Code (NFPA 101):

- 1) Average of 1 foot-candle or more
- 2) Minimum at any point of 0.1 foot-candle or more
- 3) Maximum-to-minimum illumination uniformity ratio of 40:1 or less

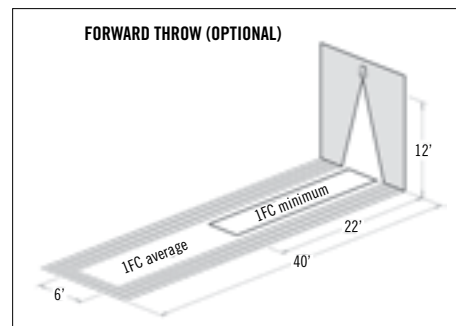
**TABLE B: SPACING FOR MINIMUM 1FC MAX./MIN. UNIFORMITY RATIO LESS THAN 3:1**

MODEL TYPE	MOUNTING HEIGHT	WATTAGE CAPACITY	
		SINGLE	CENTRE-TO-CENTRE
standard	9'	4' X 28'	4' X 32'
with option -H	11'	4' X 32'	4' X 40'
with option -FT	12'	4' X 22'	-
with option -FTH	15'	4' X 27'	-

**TABLE A**



**TABLE B**



## REMOTE CONTROL KEYPAD

Patent Pending



## ORDERING INFORMATION

SERIES	FUNCTION: BATTERY UNITS	COLOUR	OPTIONS
CAD= cadilite® LED	ACSD= dual-mode AC/self-powered & diagnostic (-20°C to 40°C) SD= self-powered & diagnostic (-20°C to 50°C)	BK= black DB= dark bronze OW= off white PG= platinum grey	-CW= cold weather (-40°C; not available with option -H) -D3= time delay (15 mins.) -FT= forward throw lighting -H= high lumen output (max. 30°C; model SD only) -P= photo-switch (model ACSD only) -RC= remote control - infrared <sup>1</sup> -U2= 277VAC 60Hz input

<sup>1</sup> TB-RC1-R= remote control keypad (sold separately)

EXAMPLE: CADSDBK-CW



## TYPICAL SPECIFICATIONS

Supply and install **Ready-Lite® Invisilite™ Series**. The unit shall be designed to be concealed in walls or ceilings with a cavity, including T-bar suspended ceilings. Bar hanger brackets shall be provided with the Self-Powered unit. The unit equipment shall come standard with a metal back box containing the batteries, the lamp assembly and a charging circuitry. The back box shall be constructed of heavy-duty galvanized steel. The unit components: battery assembly, charger circuitry and lamp assembly shall have a modular design and come standard with quick-connect plugs for easy installation in the back box. The unit equipment shall be completely concealed in the wall or ceiling during normal power conditions. Upon a power failure the unit will expose the emergency heads by rotating its door 180° and then power the lamps. At the restoration of the AC power or at the end of the battery discharge, the lamps will turn off and the unit will retract the heads in the wall (ceiling) by rotating the door by 180°. Under normal conditions, the only visible parts of the unit shall be the flat door and trim plate, coated with a high-quality off-white finish that can be customized on site with paint or other suitable wall covering. The light source shall be 12V LED lamps of specified wattage and light output.

The unit shall supply the rated load for a minimum of 30 minutes or until the battery is discharged to 87 ½% of its nominal voltage (whichever duration is longer). The charger circuitry shall utilize a micro-controller IC that samples the battery in relation to the ambient temperature, state of charge, and input voltage fluctuations. The charger shall be current limited, temperature compensated, short-circuit proof, and reverse-polarity protected. The circuit will charge in accordance with CSA C22.2 – 141-15 requirements. The unit shall be furnished with a recessed, illuminated push button serving as test switch and status indicator light. When specified, the unit shall come complete with **Ready-Lite®** auto-test micro-controller circuitry to ensure the equipment readiness and reliability by continuously monitoring every critical function of the unit. If a problem occurs, the pilot light located on the front of the unit will change colour from green to red and will flash indicating a fault. A detailed diagnostic legend shall be available on the door back side and shall provide fault identification (battery, charger circuitry, lamps) for maintenance personnel. The auto-test shall simulate a power loss for one minute monthly, 10 minutes every 6 months, and a full 30-minute test every 12 months.

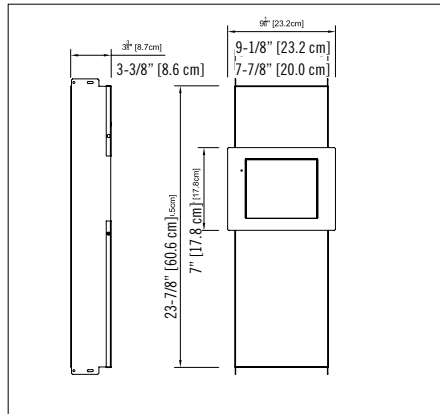
The equipment shall be **Ready-Lite®** model: \_\_\_\_\_

## POWER CONSUMPTION

MODEL	AC ASPECS	WATTAGE CAPACITY				
		30MIN	1H00	1H30	2H00	4H00
HIDE75	120/347VAC 0.25/0.09 A	75	40	30	24	15
HIDE150		150	80	60	48	30

## DIMENSIONS

Dimensions are approximate and subject to change.



## REPLACEMENT LAMPS: MR16 TYPE

MODEL	LAMP TYPE	VOLTAGE/WATTAGE
580.0093-RL	MR16, LED	12V-4W
580.0104-RL	MR16, LED	12V-5W
580.0106-RL	MR16, LED	12V-6W

# INVISILITE™ SERIES

100% Recessed  
Emergency Lighting

## FEATURES

- Door flips 180° when AC fails
- Fully automatic operation – brown-out sensitive transfer circuit automatically goes to emergency lighting mode and, when the power is restored or at the end of battery discharge, the motor turns the door back to its original closed mode
- Customized finish – Off-white, but can be painted or wallpapered on site to match existing decor
- Heavy-duty back-box – made of heavy-duty, galvanized steel
- High-performance lighting– includes two LED lamps; power range from 4W, 5W & 6W
- Patent-pending design
- Meets or exceeds CSA 22.2 No.141-15
- Advanced diagnostics capabilities (specific load requirements)

See warranty details at: [www.tnb.ca/en/brands/ready-lite](http://www.tnb.ca/en/brands/ready-lite)

## ORDERING INFORMATION

SERIES	UNIT CAPACITY	LAMP WATTAGE (12V)	OPTIONS	AC VOLTAGE
HIDE	75= 12V-75W lead-acid 150= 12V-150W lead-acid	LD7= MR16 LED, 2X 4W LD9= MR16 LED, 2X 5W LD10= MR16 LED, 2X 6W	AD= auto-diagnostics <sup>1</sup> ADN= auto-diagnostics, non-audible <sup>1</sup> D3= time delay (15 mins.)	Blank= 120/347VAC U277= 120/277VAC

<sup>1</sup> Minimum lamp load required: 20% of unit capacity

EXAMPLE: HIDE75LD7AD

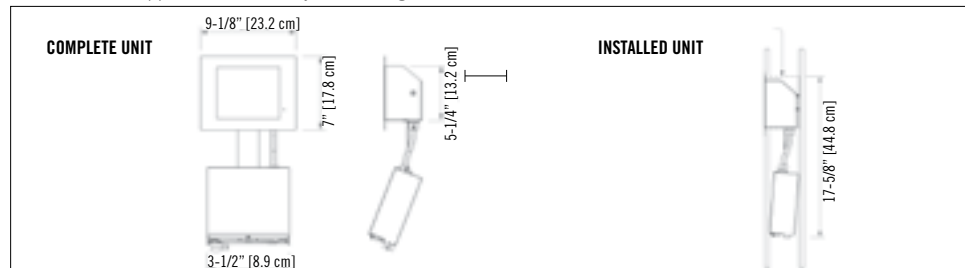
## TYPICAL SPECIFICATIONS

Supply and install **Ready-Lite® Mini Invislite™ Series**. The unit shall be designed to be completely concealed in walls with a cavity. The equipment shall consist of a metal housing containing two modules joined by a flexible bracket and electric conduit. One module contains the battery, charger circuitry and electrical connection box; the other module contains the emergency lights installed on the back of a door able to rotate several turns of 360°. The unit equipment shall be completely concealed in the wall after installation through a rectangular opening not larger than 8.25" by 5.75". In stand-by mode, the only visible parts of the unit shall be the flat door and trim plate, coated with a high-quality off-white finish that can be customized on site with paint or other suitable wall covering. Upon a power failure the unit will expose the emergency heads by rotating its door 180° and then will power the lamps. At the restoration of the AC power or at the end of the battery discharge, the lamps will turn off and the unit will retract the heads by rotating the door 180° in the same direction. The unit shall not require the presence of AC power in order to close the door and conceal the lights. The door of the unit shall be easy to force-turn (open or close) by hand, in any rotation direction. The light source shall be 12V MR16 lamps of specified technology, wattage and light output. The unit shall supply the rated load for a minimum of 30 minutes or until the battery is discharged to 87.5% of its nominal voltage (whichever duration is longer). The charger circuitry shall utilize a micro-controller IC that samples the battery in relation to the ambient temperature, state of charge, and input voltage fluctuations. The charger shall be current limited, temperature compensated, short-circuit proof, and reverse-polarity protected. The circuit will charge in accordance with CSA C22.2 – 141-15 requirements. The unit shall be furnished with a recessed, illuminated push button serving as test switch and status indicator light. When specified, the unit shall come complete with the **Ready-Lite®** series of auto-test micro-controller circuitry to ensure the equipment readiness and reliability by continuously monitoring every critical function of the unit. If a component failure occurs, the pilot light located on the front of the unit will change colour from green to red and will flash indicating a fault. A detailed diagnostic legend shall be available on the back side of the door and shall provide fault identification (battery, charger circuitry, lamps) for maintenance personnel. The auto-test shall simulate a power loss for one minute monthly, 10 minutes every 6 months, and a full 30-minute test every 12 months.

The equipment shall be **Ready-Lite®** model: \_\_\_\_\_.

## DIMENSIONS

Dimensions are approximate and subject to change.



## MINI INVISLITE™ SERIES

Unseen Solution,  
The Next Generation

## FEATURES

- Easy to retrofit in finished walls: the unit slides in through an 8.25" by 5.75" hole
- No back-box needed to pre-install
- Input: Standard AC input 120/347VAC; optional 120/277VAC
- Output: 12VDC with up to 100W of power
- Battery: choice of sealed, maintenance-free Lead-Calcium or Nickel-Metal Hydride
- Remote capacity: can drive several wall or ceiling-mount 12VDC remote Invisilite™ fixtures
- Charger: micro-controller driven, temperature compensated, high precision, fast recharge
- Remote AC fixture: direct connection to 120 or 347VAC power generators
- MR16 LED; 4W, 5W and 6W
- Certification: CSA C22.2 No.141-15

## POWER CONSUMPTION AND UNIT RATING

MODEL	AC SPECS	WATTAGE CAPACITY				
		30MIN	1H00	2H00	3H00	
MHL80	120/347VAC	-	80	40	24	-
MH100	120/347VAC	0.25/0.08 A	100	70	36	24

## REPLACEMENT LAMPS: MR16 TYPE

MODEL	LAMP TYPE	VOLTAGE/WATTAGE
580.0093-RL	MR16, DEL	12 V-4 W
580.0104-RL	MR16, DEL	12 V-5 W
580.0106-RL	MR16, DEL	12 V-6 W

## ORDERING INFORMATION

SERIES	UNIT CAPACITY	LAMP WATTAGE (12V)	OPTIONS	AC VOLTAGE
MH	L80= lead-calcium, 12V-80W H100= nickel-metal hydride, 12V-100W	LD7= MR16 LED, 2X 4W LD9= MR16 LED, 2X 5W LD10= MR16 LED, 2X 6W	AD= auto-diagnostics* ADN= auto-diagnostics, non-audible* D3= time delay (15 mins.) TB= T-Bar mounting kit *Minimum lamp load required: 20% of unit capacity	Blank= 120/347VAC U2= 120/277VAC

EXAMPLE: MHL80LD7

## TYPICAL SPECIFICATIONS

Supply and install a complete emergency lighting system as described herein and shown on the drawings.

The **Ready-Lite® LDX-VQ Smart Diagnostic** micro-controller board shall supply the rated load for a minimum of 1/2 hour to 87.5% of the rated battery voltage. The unit shall be rated 120V or 347V, 60 Hz and be CSA listed. The unit shall have an output of \_\_\_\_\_ V.

The charger shall be fully computer tested and its charge voltage factory set to  $\pm 1\%$  tolerance. Chargers with field-adjusted potentiometers are not acceptable. A pulse-type charger shall be employed to promote long battery life and reduce the potential for grid corrosion. The charger shall provide a continuous high charge to recharge the battery, and when the battery is at full capacity, the charger will shut off. Periodically the charger shall provide a pulse of energy to keep the battery topped off. The charger shall be current limited, temperature compensated, short-circuit proof and reverse polarity protected. The unit shall be furnished with an electronic lockout circuit, which will connect the battery when the AC circuit is activated, and an electronic brownout circuit, which will activate the emergency heads when utility power dips below 75% of nominal voltage. A low voltage battery protection circuit shall be provided and will disconnect the battery from the fused output circuit at the end of discharge.

The unit shall self-test for 1 minute every 30 days, 10 minutes every 6 months and 30 minutes every 12 months. The unit shall be capable of full recharge in compliance with CSA specifications. The unit shall be furnished with a sealed, dust-tight relay, a test switch and diagnostic LED indicator lights to continuously monitor the status of the unit: Battery Failure, Battery Disconnected, Charger Failure, Lamp Failure, Service Alarm, AC -"ON", Charger High Rate. The unit shall come complete with fully adjustable 6V, 12V and 24V LED lamps. Each lamp shall be housed in an impact-resistant polycarbonate cube. The cube lens shall be frosted to diffuse light.

The unit shall be **Ready-Lite®** model: \_\_\_\_\_.

## WIRE GUARDS

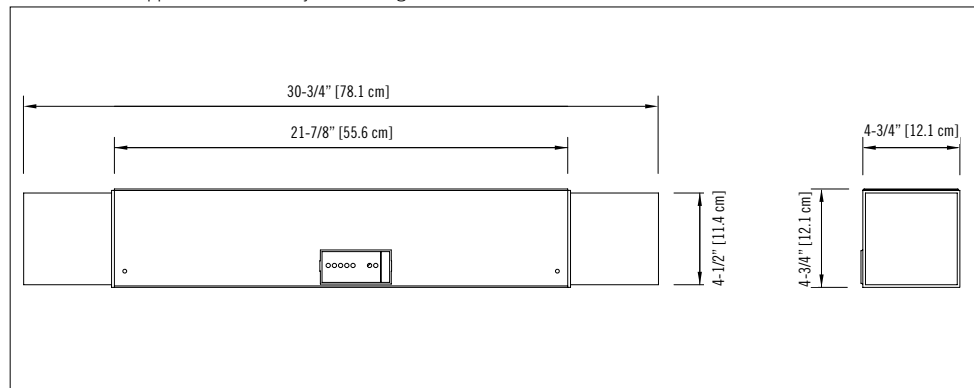
460.0097-RL	wall mount or ceiling mount
-------------	-----------------------------

## REPLACEMENT LAMPS

ORDERING CODE	TYPE	VOLTAGE/ WATTAGE
580.0097-RL	MR16, LED	6V-4W
580.0122-RL	MR16, LED	6V-5W
580.0093-RL	MR16, LED	12V-4W
580.0104-RL	MR16, LED	12V-5W
580.0106-RL	MR16, LED	12V-6W
580.0098-RL	MR16, LED	24V-4W
580.0100-RL	MR16, LED	24V-6W

## DIMENSIONS

Dimensions are approximate and subject to change.



## LDX-VQ SERIES

Decorative 6, 12 and 24V  
Thermoplastic Cube Units

## FEATURES

- Impact-resistant steel center cabinet contains the battery and charger
- Frosted, thermoplastic light cubes protect light modules against vandalism while providing visual masking and light diffusion
- Units can be wall or ceiling mounted
- Maintenance-free, sealed Lead-Calcium battery
- Fully automatic, solid-state charger with low voltage battery disconnect, brownout protection, integral test switch and LED AC-On pilot lights
- Also available as a remote fixture; see the Remote Fixtures section of this catalogue
- CSA C22.2 No. 141-15 certified
- NEXUS® compatible
- Advanced diagnostics capabilities (specific load requirements)  
See warranty details at: [www.tnb.ca/en/brands/ready-lite](http://www.tnb.ca/en/brands/ready-lite)

## POWER CONSUMPTION AND UNIT RATING

MODEL	AC SPECS		WATTAGE CAPACITY				
			30MIN	1H00	1H30	2H00	4H00
LDX636	120/347VAC	0.10/0.04 A	36	21	15	12	6
LDX672		0.22/0.08 A	72	42	30	24	12
LDX1236		0.10/0.04 A	36	21	15	12	6
LDX1272		0.15/0.06 A	72	42	30	24	12
LDX12144		0.41/0.14 A	144	84	60	48	24
LDX24144		0.55/0.20 A	144	84	60	48	24



## LDX-VQ SERIES

Decorative 6, 12 and 24V  
Thermoplastic Cube Units

## ORDERING INFORMATION

SERIES	CAPACITY	SPECIAL OPTIONS	# OF LAMPS	LAMP STYLE/WATTAGE	AC VOLTAGE	OPTIONS
LDX6	-36VQ= 36W -72VQ= 72W	AD= auto-diagnostic <sup>1</sup> ADN= auto-diagnostic, non-audible <sup>1</sup>	Blank= two lamps	LD1= MR16 LED, 6V-4W LD2= MR16 LED, 6V-5W LD7= MR16 LED, 12V-4W LD9= MR16 LED, 12V-5W LD10= MR16 LED, 12V-6W LD13= MR16 LED, 24V-4W LD14= MR16 LED, 24V-6W	Blank= 120/347VAC input U277= 277VAC input	CT= cab-tire D3= time delay (15 mins.) IT= AC terminal block ITOT= AC/DC terminal block <sup>1</sup> LC= line cord (120V) LD= lamp disconnect OT= DC terminal block TL= twist-lock plug (120V) <sup>2</sup> TP= tamper-proof screws <sup>3</sup>
LDX12	-36VQ= 36W -72VQ= 72W -144VQ= 144W	Blank= standard NEX= NEXUS® system interface <sup>1</sup>				
LDX24	-144VQ= 144W	NEXRF= wireless NEXUS® system interface*				
		<sup>1</sup> Minimum lamp load required: 20% of unit capacity				
		Not all options available with NEXUS System. Please consult your sales representative				
		<sup>1</sup> Only available with maximum 6V, 12V-144W				
		<sup>2</sup> 120V is standard				
		<sup>3</sup> 990.0119-RL= tamper-proof bit (sold separately)				

EXAMPLE: LDX6-36VQLD1



## LDX-T SERIES

6, 12, 24V T-Bar Unit

### FULLY RECESSED UNITS FOR T-BAR MOUNTING IN SUSPENDED CEILINGS.

The **LDX-T Series** battery units are designed for T-bar ceiling grid installation. This slim-line, unobtrusive unit is ideally suited for any commercial location where there is limited wall space and where the greater directional flexibility of ceiling-mounted heads is needed to provide greater light distribution.

### FEATURES

- Rugged steel cabinet with corrosion-resistant undercoating.
- Battery and charger are concealed above the ceiling level in the unit cabinet
- Removable panel provides easy access to battery and circuitry
- Test switch and LED indicators are mounted on the visible bottom panel
- Units mount quickly and easily in standard 2' x 2' or 2' x 4' grids without any additional hardware
- Solid-state pulse-type charger – current-limited, temperature-compensated, short-circuit proof and reverse-polarity protected
- Unit comes standard with electronic lockout and brownout circuits
- Sealed dust-proof transfer relay, test switch and LED indicator lights
- Long-life, maintenance-free lead acid battery
- NEXUS® compatible (for more information on NEXUS®, please consult your sales representative)
- CSA C22.2 No. 141-15 certified
- Advanced diagnostics capabilities (specific load requirements)

See warranty details at: [www.tnb.ca/en/brands/ready-lite](http://www.tnb.ca/en/brands/ready-lite)

### TYPICAL SPECIFICATIONS

Supply and install a complete emergency lighting system as described herein and shown on the drawings.

The **Ready-Lite® Smart Diagnostic** Micro controller board shall supply the rated load for a minimum of a 30 minutes to 87.5% of the rated battery voltage. The unit shall be rated 120V or 347V, 60 Hz and be CSA listed. The unit shall have an output of \_\_\_\_\_ V.

The charger shall be fully computer tested and its charge voltage factory set to  $\pm 1\%$  tolerance. Chargers with field-adjusted potentiometers are not acceptable. A pulse-type charger shall be employed to promote long battery life and reduce the potential for grid corrosion. The charger shall provide a continuous high charge to recharge the battery and when the battery is at full capacity, the charger will shut off. Periodically the charger shall provide a pulse of energy to keep the battery topped off. The charger shall be current limited, temperature compensated, short-circuit proof and reverse polarity protected. The unit shall be furnished with an electronic lockout circuit, which will connect the battery when the AC circuit is activated, and an electronic brownout circuit, which will activate the emergency lights when utility power dips below 75% of nominal voltage. A low voltage battery protection circuit shall be provided and will disconnect the battery from the fused output circuit at the end of discharge.

The unit shall self-test for 1 minute every 30 days, 10 minutes every 6 months and 30 minutes every 12 months. The unit shall be capable of full recharge in compliance with a CSA specifications. The unit shall be furnished with a sealed dust tight relay, a test switch and seven diagnostic LED indicator lights to continuously monitor the status of the unit: Battery Failure, Battery Disconnected, Charger Failure, Lamp Failure, Service Alarm, AC "ON", Charger High Rate. The unit shall be T-bar mounted and come complete with tool-less emergency lighting heads requiring no tools to adjust or aim.

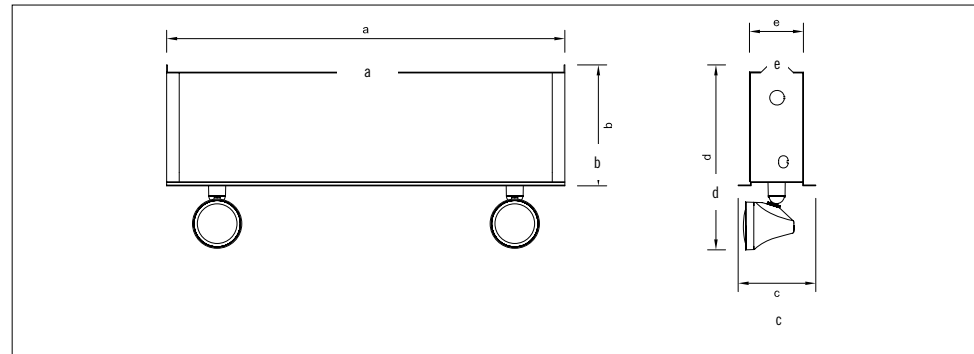
The unit shall be **Ready-Lite®** model: \_\_\_\_\_ .

### REPLACEMENT LAMPS

ORDERING CODE	LAMP TYPE	VOLTAGE/WATTAGE
580.0097-RL	MR16, LED	6V-4W
580.0122-RL	MR16, LED	6V-5W
580.0093-RL	MR16, LED	12V-4W
580.0104-RL	MR16, LED	12V-5W
580.0106-RL	MR16, LED	12V-6W
580.0098-RL	MR16, LED	24V-4W
580.0100-RL	MR16, LED	24V-6W

### DIMENSIONS

Dimensions are approximate and subject to change.



CABINET	DIMENSIONS				
	a	b	c	d	e
Large Cabinet	23-3/4" (60.3 cm)	7-1/4" (18.4 cm)	7-1/8" (18.1 cm)	10-5/8" (27.0 cm)	5-5/8" (14.3cm)
Small Cabinet	23-3/4" (60.3 cm)	7-1/4" (18.4 cm)	4-5/8" (11.7 cm)	10-5/8" (27.0 cm)	3-1/4" (8.3 cm)

## POWER CONSUMPTION AND UNIT RATING

MODEL	AC SPECS	WATTAGE CAPACITY					
		30MIN	1H00	1H30	2H00	4H00	
LDX636	120/347VAC	0.10/0.04 A	36	21	15	12	6
LDX672		0.22/0.08 A	72	42	30	24	12
LDX108		0.22/0.08 A	108	63	45	36	18
LDX180		0.22/0.08 A	180	105	75	60	30
LDX1236		0.09/0.03 A	36	21	15	12	6
LDX1272		0.15/0.06 A	72	42	30	24	12
LDX12100		0.34/0.12 A	100	58	42	33	17
LDX12144		0.40/0.14 A	144	84	60	48	24
LDX12216		0.41/0.14 A	216	120	90	72	36
LDX24144		0.55/0.20 A	144	84	60	48	24
LDX24288		0.67/0.23 A	288	168	120	96	48

## LDX-T SERIES

6, 12, 24V T-Bar Unit

## ORDERING INFORMATION

SERIES	CAPACITY	SPECIAL OPTIONS	# OF HEADS	HEAD STYLE LAMP WATTAGE	COLOUR	AC VOLTAGE	OPTIONS
LDX6= 6V	-36T= 36W (S) -72T= 72W (S) -108T= 108W (S) -180T= 180W (L)	AD= auto-diagnostic <sup>1</sup> ADN= auto-diagnostic, non-audible* Blank= standard NEX= NEXUS® system interface <sup>1</sup> NEXRF= wireless NEXUS® system interface	1= one head 2= two heads 3= three heads Blank= no heads	150LD1= deco head, MR16 LED, 6V-4W <sup>1</sup> 150LD2= deco head, MR16 LED, 6V-5W <sup>1</sup> 150LD7= deco head, MR16 LED, 12V-4W <sup>1</sup> 150LD9= deco head, MR16 LED, 12V-5W <sup>1</sup> 150LD10= deco head, MR16 LED, 12V-6W <sup>1</sup> 150LD13= deco head, MR16 LED, 24V-4W <sup>1</sup> LD1= MR16 LED, 6V-4W LD2= MR16 LED, 6V-5W LD7= MR16 LED, 12V-4W LD9= MR16 LED, 12V-5W LD10= MR16 LED, 12V-6W LD13= MR16 LED, 24V-4W LD14= MR16 LED, 24V-6W	BK= black Blank= factory white	Blank= 120/347VAC input U277= 277VAC input	A= ammeter CT= cab-tire D3= time delay (15 mins.) IT= AC terminal block ITOT= AC/DC terminal block LB= light activated test switch LD= lamp disconnect (programmable) OT= DC terminal block TL= twist-lock plug (120V) <sup>1</sup> V= voltmeter
LDX12= 12V	-36T= 36W (S) -72T= 72W (S) -100T= 100W (S) -144T= 144W (S) -216T= 216W (L)						
LDX24= 24V	-144T= 144W (L) -288T= 288W (L)						

<sup>1</sup> Minimum lamp load required: 20% of unit capacity

Not all options available with NEXUS® System. Please consult your sales representative

<sup>1</sup> Polar white or black cabinet only

<sup>1</sup> 120V is standard

EXAMPLE: LDX6-108TAD2LD7

## TYPICAL SPECIFICATIONS

Supply and install the **Ready-Lite® LDXA Series** battery units. The battery unit shall come complete with two MR16 LED emergency lighting heads. The unit shall be rated for dual voltage 120/347V, 60 Hz and shall provide power to the nominal load for at least 30 minutes to 87.5% of the nominal voltage of the battery. The charger shall be factory set with a charging voltage tolerance of  $\pm 1\%$  to enable a longer battery life. The emergency light heads shall be fully adjustable and protected by a clear cover, made of shock-resistant polycarbonate. The protective cover shall be designed to facilitate lamp replacement. The heads shall be installed at the bottom of the unit, providing illumination in any downward direction. The emergency light heads shall require no tools for orientation.

The unit cabinet shall be made of steel with anti-corrosion undercoating. The unit equipped with the auto-test diagnostic micro-controller board shall self-test 1 minute every 30 days, 10 minutes the every 6 months and 30 minutes every 12 months. The unit shall be supplied with a test switch and diagnostic LED indicator lights to continuously monitor the status of the unit: Battery Failure, Battery Disconnect, Charger Failure, Lamp Failure, Service Alarm, main voltage AC "ON", Charger High Rate.

The unit shall be CSA Certified to C22.2 no.141-15.

The unit shall be **Ready-Lite®** model: \_\_\_\_\_

## WIRE GUARDS

460.0080-RL	wall mount
-------------	------------

## REPLACEMENT LAMPS

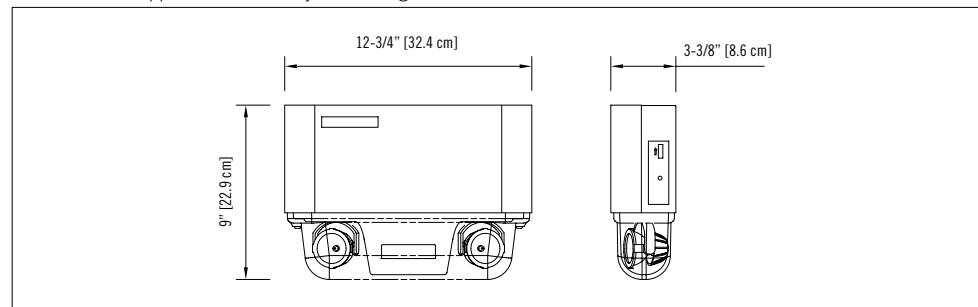
ORDERING CODE	LAMP TYPE	VOLTAGE/ WATTAGE
580.0097-RL	MR16, LED	6V-4W
580.0122-RL	MR16, LED	6V-5W
580.0093-RL	MR16, LED	12V-4W
580.0104-RL	MR16, LED	12V-5W
580.0106-RL	MR16, LED	12V-6W

## POWER CONSUMPTION AND UNIT RATING

MODEL	AC SPECS	WATTAGE CAPACITY					
		30MIN	1H00	1H30	2H00	4H00	
LDXA627	120/347VAC	0.06/0.02 A	27	15	11	9	-
LDXA644		0.18/0.06 A	44	26	18	15	7
LDXA672		0.19/0.07 A	72	42	30	24	12
LDXA1244		0.31/0.10 A	44	26	18	15	7
LDXA1272		0.31/0.10 A	72	42	30	24	12

## DIMENSIONS

Dimensions are approximate and subject to change.



## FEATURES

- Rugged steel cabinet with corrosion-resistant undercoating
- Removable front panel on cabinet provides easy access and allows unit to be mounted at ceiling height
- Solid-state pulse-type charger current-limited, temperature compensated, short-circuit proof and reverse-polarity protected
- Unit comes standard with electronic lockout and brownout circuits
- Sealed dust-proof transfer relay, test switch and LED indicator light(s)
- Long-life, maintenance-free lead acid battery
- NEXUS® compatible. Please consult your sales representative
- CSA C22.2 No. 141-15 Certified

## ORDERING INFORMATION

SERIES	CAPACITY	SPECIAL OPTIONS	# OF HEADS	HEADS STYLE/WATTAGE	COLOUR	AC VOLTAGE	OPTIONS
LDXA6= 6V	-27= 27W -44= 44W -72= 72W	Blank= no options AD= auto-diagnostic* ADN= auto-diagnostic, non-audible* NEX= NEXUS® system interface* NEXRF= wireless NEXUS® system interface*	2= 2 heads	LD1= MR16 LED, 6V-4W LD2= MR16 LED, 6V-5W LD7= MR16 LED, 12V-4W LD9= MR16 LED, 12V-5W LD10= MR16 LED, 12V-6W	Blank= factory white BK= black	Blank= 120/347VAC U277= 277VAC input	Blank= no options CT= cab-tire LC= line cord (120V) TL= twist-lock plug (120V)*
LDXA12= 12V	-44= 44W -72= 72W	*Not available in 6V-72W *Minimum lamp load required: 20% of unit capacity *Not all options available with NEXUS® System. Please consult your sales representative					*120V is standard

EXAMPLE: LDXA6-272LD1



## TYPICAL SPECIFICATIONS

The contractor shall install the **Ready-Lite® LDXC Series** battery units. The emergency lighting system shall consist of fully automatic equipment with two emergency lighting heads. The unit shall be rated \_\_\_\_\_ V with a capacity of \_\_\_\_\_ W for 30 minutes of emergency operation.

The charger shall be factory set with a charging voltage tolerance of  $\pm 1\%$  to enable a longer battery life. The emergency light heads shall require no tools for adjusting or aiming. The metal cabinet shall be made of steel with anti-corrosion undercoating.

The unit equipped with the auto-test micro-controller board shall self-test 1 minute every 30 days, 10 minutes every 6 months and 30 minutes every 12 months. The unit shall be supplied with a test switch and diagnostic LED indicator lights to continuously monitor the status of the unit: Battery Failure, Battery Disconnect, Charger Failure, Lamp Failure, Service Alarm, main voltage AC "ON", Charger High Rate.

The unit shall be CSA Certified to C22.2 no.141-15.

The unit shall be **Ready-Lite®** model: \_\_\_\_\_ .

## WIRE GUARDS

460.0080-RL	wall mount
-------------	------------

## POWER CONSUMPTION AND UNIT RATING

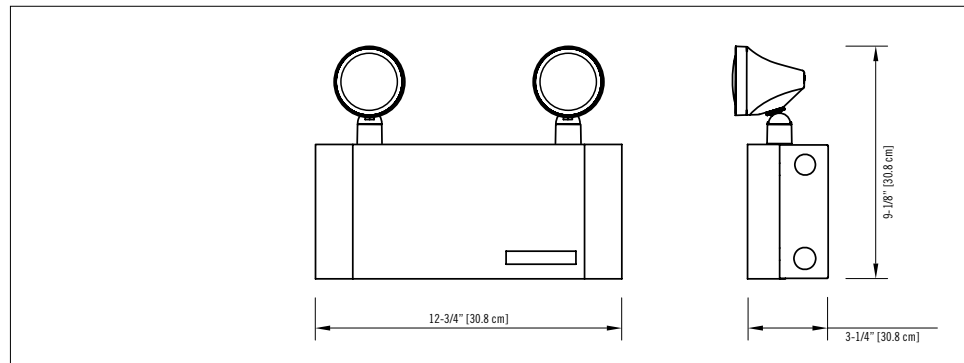
MODEL	AC SPECS	WATTAGE CAPACITY					
		30MIN	1H00	1H30	2H00	4H00	
LDXC627	120/347 VAC	0.06/0.02 A	27	15	11	9	-
LDXC644		0.18/0.06 A	44	26	18	15	7
LDXC672		0.19/0.07 A	72	42	30	24	12
LDXC1244		0.31/0.10 A	44	26	18	15	7
LDXC1272		0.31/0.10 A	72	42	30	24	12

## REPLACEMENT LAMPS

ORDERING CODE	LAMP TYPE	VOLTAGE/ WATTAGE
580.0097-RL	MR16, LED	6V-4W
580.0122-RL	MR16, LED	6V-5W
580.0093-RL	MR16, LED	12V-4W
580.0104-RL	MR16, LED	12V-5W
580.0106-RL	MR16, LED	12V-6W

## DIMENSIONS

Dimensions are approximate and subject to change.



## ORDERING INFORMATION

SERIES	CAPACITY	SPECIAL OPTIONS	# OF HEADS	HEADS STYLE/WATTAGE	COLOUR	AC VOLTAGE	OPTIONS
LDXC6= 6V	-27= 27W -44= 44W -72= 72W	AD= auto-diagnostic <sup>1</sup> ADN= auto-diagnostic, non-audible <sup>1</sup> Blank= no options	1= one head 2= two heads Blank= no heads	LD1= MR16 LED, 6V-4W LD2= MR16 LED, 6V-5W LD7= MR16 LED, 12V-4W LD9= MR16 LED, 12V-5W LD10= MR16 LED, 12V-6W	BK= black Blank= factory white	Blank= 120VAC c/w linecord U277= 277VAC input U347= 120/347VAC input	Blank= no options CT= cab-tire TL= twist-lock plug <sup>1</sup>
LDXC12= 12V	-44= 44W -72= 72W	NEX= NEXUS® system interface <sup>1</sup> NEXRF= wireless NEXUS® system interface*  <sup>1</sup> Not available in 6V-72W Not all options available with NEXUS® System. Please consult your sales representative					<sup>1</sup> 120V is standard

EXAMPLE: LDXC6-272LD1



## LDXC SERIES

Steel, compact, 6V and 12V

## FEATURES

- Compact steel cabinet with corrosion-resistant undercoating
  - Quick and easy installation – pre-assembled cordset, no batteries or board to remove before installation
  - Universal Spider knockout pattern for junction box mounting
  - Fully automatic solid-state charger with test switch and AC-on pilot light
  - Sealed dust-proof transfer relay circuit and low-voltage disconnect
  - Long-life, maintenance-free sealed Lead Acid battery
  - NEXUS® compatible. Please consult your sales representative
  - Heads require no tools for orientation
  - Standard input 120 VAC with line cord installed
  - 120/347 VAC without line cord
  - Certified CSA C22.2 No.141-15
  - Advanced diagnostics capabilities (specific load requirements)
- See warranty details at: [www.tnb.ca/en/brands/ready-lite](http://www.tnb.ca/en/brands/ready-lite)

## TYPICAL SPECIFICATIONS

Supply and install a complete emergency lighting system as described herein and shown on the drawings.

The **Ready-Lite® Smart Diagnostic** micro-controller board shall supply the rated load for a minimum of a 1/2 hour to 87.5% of the rated battery voltage. The unit shall be rated 120V or 347V, 60 Hz and be CSA listed. The unit shall have an output of: \_\_\_\_\_V and \_\_\_\_\_W. The charger shall be fully computer tested and its charge voltage factory set to ± 1% tolerance. Chargers with field-adjusted potentiometers are not acceptable. A pulse-type charger shall be employed to promote long battery life and reduce the potential for grid corrosion. The charger shall provide a continuous high charge to recharge the battery, and when the battery is at full capacity, the charger will shut off. Periodically the charger shall provide a pulse of energy to keep the battery topped off. The pulse charger shall be precisely regulated and shall charge the battery in relation to its temperature, state of charge and input voltage fluctuations. The charger shall be current limited, temperature compensated, short-circuit proof and reverse polarity protected.

The unit shall be furnished with an electronic lockout circuit, which will connect the battery when the AC circuit is activated, and an electronic brownout circuit, which will activate the emergency lights when utility power dips below 75% of nominal voltage. A low voltage battery protection circuit shall be provided and will disconnect the load when the battery reaches the end of discharge. The unit shall self-test for 1 minute every 30 days, 10 minutes every 6 months and 30 minutes every 12 months. The unit shall be capable of full recharge in compliance with CSA specifications. The unit shall be furnished with a sealed dust tight relay, a test switch and diagnostic LED indicator lights to continuously monitor the status of the unit: Battery Failure, Battery Disconnected, Charger Failure, Lamp Failure, Service Alarm, AC "ON", Charger High Rate. The emergency lighting heads shall require no tools for orientation.

The unit shall be **Ready-Lite®** model: \_\_\_\_\_.

## WIRE GUARDS

460.0078-RL	wall mount	"A" cabinet
460.0081-RL	wall mount	"B" cabinet
460.0034-RL	wall mount	"C" cabinet

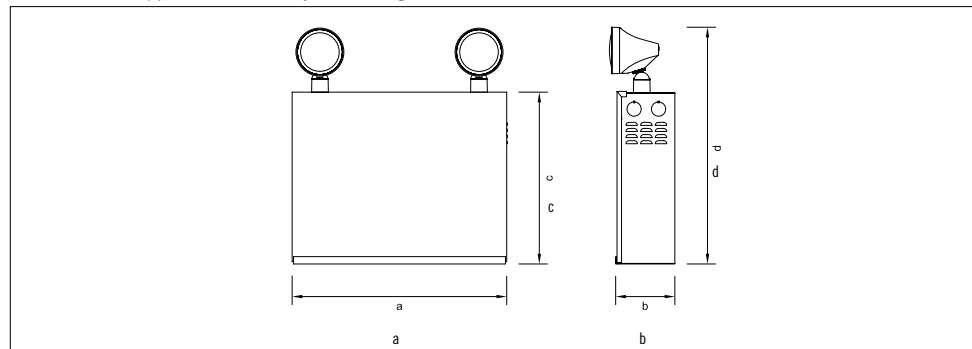
## REPLACEMENT LAMPS

ORDERING CODE	LAMP TYPE	VOLTAGE/WATTAGE
580.0097-RL	MR16, LED	6V-4W
580.0122-RL	MR16, LED	6V-5W
580.0093-RL	MR16, LED	12V-4W
580.0104-RL	MR16, LED	12V-5W
580.0106-RL	MR16, LED	12V-6W
580.0098-RL	MR16, LED	24V-4W
580.0100-RL	MR16, LED	24V-6W

CABINET	DIMENSIONS				
	a	b	c	d	e
A	13-1/4" (33.7 cm)	3-5/8" (9.2 cm)	10-1/2" (26.7 cm)	14-1/4" (36.2 cm)	16-1/2" (41.9 cm)
B	16-1/8" (40.9 cm)	5-1/2" (13.9 cm)	10-1/4" (26.0 cm)	13-7/8" (35.2 cm)	16-1/8" (41.0 cm)
C	23-1/8" (58.7 cm)	5-1/2" (13.9 cm)	10-1/4" (26.0 cm)	13-7/8" (35.2 cm)	16-1/8" (41.0 cm)

## DIMENSIONS

Dimensions are approximate and subject to change.



## LDX SERIES

6, 12 and 24V

### 10-YEAR LIFE EXPECTANCY, MAINTENANCE-FREE EMERGENCY LIGHTING UNITS.

The **LDX Series** battery units combine long life expectancy, high-performance design and a reasonable initial cost outlay. Ideally suited for a range of commercial applications, the long-life lead acid battery is specifically recommended for environments where the unit will be exposed to large variances in ambient temperature.

### FEATURES

- Rugged steel cabinet with corrosion-resistant undercoating
- Removable front panel on cabinet provides easy access and allows the unit to be mounted at ceiling height
- Solid-state pulse-type charger – current-limited, temperature compensated, short-circuit proof and reverse-polarity protected.
- Unit comes standard with electronic lockout and brownout circuits
- Sealed dust-proof transfer relay, test switch and LED indicator lights
- Long-life, maintenance-free lead acid battery
- NEXUS® compatible (for more information on NEXUS®, please consult your sales representative)
- CSA C22.2 No. 141-15 certified
- Standard 120/347 VAC input with line cord kit
- Advanced diagnostics capabilities (specific load requirements)

See warranty details at: [www.tnb.ca/en/brands/ready-lite](http://www.tnb.ca/en/brands/ready-lite)

## POWER CONSUMPTION AND UNIT RATING

MODEL	AC SPECS		WATTAGE CAPACITY				
			30 MIN	1H00	1H30	2H00	4H00
LDX636	120/347VAC	0.10/0.04 A	36	21	15	12	6
LDX672		0.22/0.08 A	72	42	30	24	12
LDX6108		0.22/0.08 A	108	63	45	36	18
LDX6180		0.22/0.08 A	180	105	75	60	30
LDX1236		0.09/0.03 A	36	21	15	12	6
LDX1272		0.15/0.06 A	72	42	30	24	12
LDX12100		0.34/0.12 A	100	58	42	33	17
LDX12144		0.40/0.14 A	144	84	60	48	24
LDX12200		0.41/0.14 A	200	117	83	67	33
LDX12250		0.41/0.14 A	250	144	100	38	42
LDX12360		0.41/0.14 A	360	200	144	108	60
LDX24144		0.43/0.15 A	144	84	60	48	24
LDX24200		0.55 / 0.20 A	200	117	83	67	33
LDX24288		0.67 / 0.23 A	288	168	120	96	48
LDX24350		0.67 / 0.23 A	350	200	144	120	60
LDX24432		0.67 / 0.23 A	432	250	180	144	72
LDX24550		0.88 / 0.33 A	550	320	230	180	90
LDX24720		0.88 / 0.33 A	720	420	300	240	120

Note: Low wattage LED lamps provide extended time of emergency lighting without additional power.



## LDX SERIES

6, 12 and 24V

## ORDERING INFORMATION

SERIES	CAPACITY & CABINET SIZE <sup>1</sup>	SPECIAL OPTIONS	# OF HEADS	HEAD STYLE/LAMP WATTAGE	COLOUR	AC VOLTAGE	OPTIONS
LDX6= 6V	-36= 36W (A) -72= 72W (A) -108= 108W (A) -180= 180W (B)	AD= auto-diagnostic, audible <sup>1</sup> ADN= auto-diagnostic, non-audible <sup>1</sup> Blank= no options NEX= NEXUS <sup>®</sup> system interface <sup>1</sup> NEXRF= wireless NEXUS <sup>®</sup> system interface <sup>1</sup>	1= one head 2= two heads 3= three heads Blank= no heads	LD1= MR16 LED, 6V-4W LD2= MR16 LED, 6V-5W LD7= MR16 LED, 12V-4W LD9= MR16 LED, 12V-5W LD10= MR16 LED, 12V-6W LD13= MR16 LED, 24V-4W LD14= MR16 LED, 24V-6W	BK= black Blank= factory white	Blank= 120/347 VAC input U277= 277VAC input	A= ammeter CPS3 = constant power supply 3 Amps, 24V only <sup>1</sup> CT= cab-tire D3= time delay IT= AC terminal block ITOT= AC/DC terminal block LB= light activated test switch LD= lamp disconnect OT= DC terminal block RFI= radio frequency interference filter 120VAC RF3= radio frequency interference filter, 347VAC TL= Cord and twist lock plug (120V only) <sup>2</sup> V= voltmeter ZCP= zone control panel <sup>3</sup>
LDX12= 12V	-36= 36W (A) -72= 72W (A) -100= 100W (A) -144= 144W (A) -200= 200W (B) -250= 250W (B) -360= 360W (B)						
LDX24= 24V	-144= 144W (A) -200= 200W (B) -288= 288W (B) -350= 350W (C) -432= 432W (C) -550= 550W (C) -720= 720W (C)						

<sup>1</sup> Minimum lamp load required: 20% of unit capacity.

Not all options available with NEXUS<sup>®</sup> System. Please consult your sales representative.

Not available with 6V-108W.

<sup>1</sup> Cabinet size is not part of nomenclature.

<sup>1</sup> "C" Cabinet only. 24V, 144W-720W.

<sup>2</sup> 120V is standard

<sup>3</sup> See zone control panel in battery unit section. B & C cabinet only.

EXAMPLE: LDX6-362LD1BKIT



# LEGEND™ DECOCAB SERIES

Decorative 6, 12 and 24V

## HIGH PERFORMANCE AND ENERGY EFFICIENCY IN A CONTEMPORARY DESIGN.

The **Legend™ DecoCab Series** decorative battery units combine a contemporary design with the latest in high-tech security capability.

Designed to meet the needs of interior design professionals, these battery units are also high performance and energy-efficient.

## FEATURES

- Rugged steel cabinet with corrosion-resistant undercoating
- Removable front panel on cabinet provides easy access and allows unit to be mounted at ceiling height
- Solid-state pulse-type charger – current-limited, temperature-compensated
- Unit comes standard with electronic lockout and brownout circuits
- Sealed dust-proof transfer relay, test switch and LED indicator lights continuously monitor unit status
- Long-life, maintenance-free lead acid battery
- NEXUS® compatible (for more information on NEXUS®, please consult your sales representative)
- CSA C22.2 No. 141-15 certified
- Advanced diagnostics capabilities (specific load requirements)

See warranty details at: [www.tnb.ca/en/brands/ready-lite](http://www.tnb.ca/en/brands/ready-lite)



## TYPICAL SPECIFICATIONS

Supply and install the **Ready-Lite® Legend™ DecoCab Series** battery units.

The battery unit will supply the rated load for a minimum of \_\_\_\_\_ hour to 87.5% of the rated battery/voltage. The unit shall be rated 120 or 347V, 60 Hz and be CSA No.141-15 listed. The charger shall be fully computer tested and its charge voltage factory set to + or – 1% tolerance. A pulse type charger shall be employed to promote long battery life and reduce the potential for grid corrosion. The charger shall provide continuous high charge to recharge the battery. When the battery is at full capacity the charger will shut off. The pulse charge shall be current limited and precisely regulated by an electronic circuit which samples the battery in relation to its temperature, state of charge and input voltage fluctuations. The charger shall be current limited, temperature compensated, short-circuit proof and reverse polarity protected.

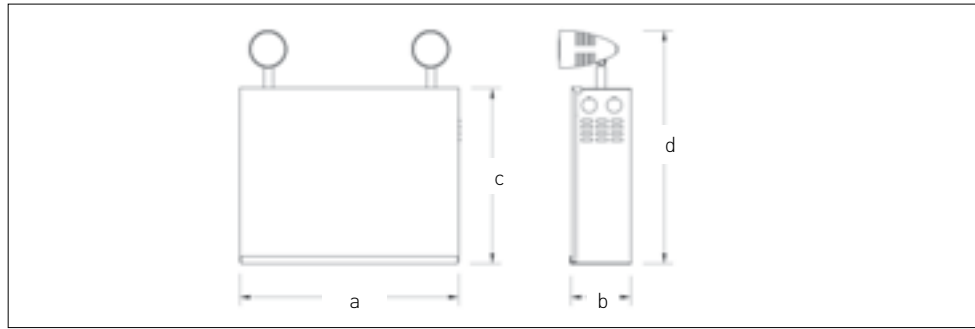
The unit shall be furnished with an electronic lockout circuit, which will connect the battery when the AC circuit is activated, and an electronic brownout circuit, which will activate the emergency lights when utility power dips below 75% of nominal voltage.

A low voltage battery protection circuit will disconnect the battery at end of the discharge. The unit will come complete with the **Legend™ DecoCab Series** Series diagnostics micro-controller board option. The unit shall self-test for 1 minute every 30 days, 10 minutes on the 6th month and 30 minutes every 12 months. The unit shall be furnished with a sealed dust tight relay, a selectable test switch 1 minute, 5 minutes, 10 minutes or 20 minutes and diagnostics LED indicator lights to continuously monitor the status of the unit: battery failed, battery disconnect, charger failure, lamp failure, service alarm, AC “ON” and charger “ON”.

The unit shall be **Ready-Lite®** model: \_\_\_\_\_.

## DIMENSIONS

Dimensions are approximate and subject to change.



CABINET	DIMENSIONS			
	a	b	c	d
A	13-1/4" (33.7 cm)	3-5/8" (9.2 cm)	10-1/2" (26.7 cm)	14-1/4" (36.2 cm)
B	16-1/8" (40.9 cm)	5-1/2" (13.9 cm)	10-1/4" (26.0 cm)	13-7/8" (35.2 cm)
C	23-1/8" (58.7 cm)	5-1/2" (13.9 cm)	10-1/4" (26.0 cm)	13-7/8" (35.2 cm)

## WIRE GUARDS

460.0078-RL	wall mount	"A" cabinet
460.0081-RL	wall mount	"B" cabinet
460.0034-RL	wall mount	"C" cabinet

## REPLACEMENT LAMPS

ORDERING CODE	LAMP TYPE	VOLTAGE/ WATTAGE
580.0097-RL	MR16, LED	6V-4W
580.0122-RL	MR16, LED	6V-5W
580.0093-RL	MR16, LED	12V-4W
580.0104-RL	MR16, LED	12V-5W
580.0106-RL	MR16, LED	12V-6W
580.0098-RL	MR16, LED	24V-4W
580.0100-RL	MR16, LED	24V-6W



## LEGEND™ DECOCAB SERIES

Decorative 6, 12 and 24V

### POWER CONSUMPTION AND UNIT RATING

MODEL	AC SPECS	WATTAGE CAPACITY					
		30MIN	1H00	1H30	2H00	4H00	
LDX636	120/347VAC	0.10/0.04 A	36	21	15	12	6
LDX672		0.22/0.08 A	72	42	30	24	12
LDX6108		0.22/0.08 A	108	63	45	36	18
LDX6180		0.22/0.08 A	180	105	75	60	30
LDX1272		0.15/0.06 A	72	42	30	24	12
LDX12100		0.34/0.12 A	100	58	42	33	17
LDX12144		0.40/0.14 A	144	84	60	48	24
LDX12200		0.41/0.14 A	216	120	90	72	36
LDX12250		0.41/0.14 A	250	144	100	83	42
LDX12360		0.43/0.15 A	360	300	210	170	80
LDX24144		0.55 / 0.20 A	144	84	60	48	24
LDX24200		0.67 / 0.23 A	200	117	83	67	33
LDX24288		0.67 / 0.23 A	288	168	120	96	48
LDX24350		0.67 / 0.23 A	350	200	144	120	60
LDX24432		0.67 / 0.23 A	432	250	180	144	72
LDX24550		0.88 / 0.33 A	550	320	230	180	90
LDX24720		0.88 / 0.33 A	700	420	300	240	120

### ORDERING INFORMATION

SERIES	CAPACITY & CABINET SIZE <sup>1</sup>	SPECIAL OPTIONS	# OF HEADS	HEAD STYLE	LAMP VOLTAGE-WATTAGE	COLOUR	AC VOLTAGE	OPTIONS
<b>LDX6=</b> 6V	-36= 36W (A) -72= 72W (A) -108= 108W (A) -180= 180W (B)	<b>AD</b> = auto-diagnostic, audible <sup>1</sup> <b>ADN</b> = auto-diagnostic, non-audible <sup>1</sup>	1= one head 2= two heads 3= three heads	<b>RL150</b> = closed	<b>LD1</b> = MR16 LED, 6V-4W <b>LD2</b> = MR16 LED, 6V-5W <b>LD7</b> = MR16 LED, 12V-4W <b>LD9</b> = MR16 LED, 12V-5W <b>LD10</b> = MR16 LED, 12V-6W <b>LD13</b> = MR16 LED, 24V-4W <b>LD14</b> = MR16 LED, 24V-6W	<b>BK</b> = black <b>Blank</b> = polar white	<b>Blank</b> = 120/347VAC input <b>U277</b> = 277VAC input	<b>A</b> = ammeter <b>CPS3</b> = constant power supply 3 Amps, 24V only <sup>1</sup> <b>CT</b> = cab-tire <b>D3</b> = time delay (15 mins.) <b>IT</b> = AC terminal block <b>IT0T</b> = AC/DC terminal block <b>LB</b> = light activated test switch <b>LD</b> = lamp disconnect <b>OT</b> = DC terminal block <b>RFI</b> = radio frequency interference filter, 120VAC <b>RF3</b> = radio frequency interference filter, 347VAC <b>TL</b> = twist-lock plug (120V) <sup>2</sup> <b>V</b> = voltmeter <b>ZCP</b> = zone control panel <sup>3</sup>
<b>LDX12=</b> 12V	-72= 72W (A) -100= 100W (A) -144= 144W (A) -200= 200W (B) -250= 250W (B) -360= 360W (B)	<b>Blank</b> = standard <b>NEX</b> = NEXUS <sup>®</sup> system interface <sup>1</sup> <b>NEXRF</b> = wireless NEXUS <sup>®</sup> system interface <sup>1</sup>						
<b>LDX24=</b> 24V	-144= 144W (A) -200= 200W (B) -288= 288W (B) -350= 350W (C) -432= 432W (C) -550= 550W (C) -720= 720W (C)							

<sup>1</sup> Minimum lamp load required: 20% of unit capacity

Not all options available with NEXUS<sup>®</sup> System. Please consult your sales representative

<sup>1</sup> Cabinet size in not part of nomenclature

<sup>1</sup> "C" Cabinet only. 24V, 144W-720W.

<sup>2</sup> 120V is standard

<sup>3</sup> See zone control panel in battery unit section. B & C cabinet only.

EXAMPLE: LDX6-361RL150LD7, LDX12-721RL150LD9, LDX24-1441RL150LD10



**new product**



## TYPICAL SPECIFICATIONS

Supply and install a complete emergency lighting system as described herein and shown on the drawings.

The **Ready-Lite® Smart Diagnostic** micro-controller board shall supply the rated load for a minimum of a 1/2 hour to 87.5% of the rated battery voltage. The unit shall be rated 120V or 347V, 60 Hz and be CSA listed. The unit shall have an output of: \_\_\_\_\_V and \_\_\_\_\_W. The charger shall be fully computer tested and its charge voltage factory set to ± 1% tolerance. Chargers with field-adjusted potentiometers are not acceptable. A pulse-type charger shall be employed to promote long battery life and reduce the potential for grid corrosion. The charger shall provide a continuous high charge to recharge the battery, and when the battery is at full capacity, the charger will shut off. Periodically the charger shall provide a pulse of energy to keep the battery topped off. The pulse charger shall be precisely regulated and shall charge the battery in relation to its temperature, state of charge and input voltage fluctuations. The charger shall be current limited, temperature compensated, short-circuit proof and reverse polarity protected.

The unit shall be furnished with an electronic lockout circuit, which will connect the battery when the AC circuit is activated, and an electronic brownout circuit, which will activate the emergency lights when utility power dips below 75% of nominal voltage. A low voltage battery protection circuit shall be provided and will disconnect the load when the battery reaches the end of discharge. The unit shall self-test for 1 minute every 30 days, 10 minutes every 6 months and 30 minutes every 12 months. The unit shall be capable of full recharge in compliance with CSA specifications. The unit shall be furnished with a sealed dust tight relay and a test switch. When specified, units with self-test and auto-diagnostic feature shall be equipped with diagnostic LED indicator lights to continuously monitor the status of the unit: Battery Failure, Battery Disconnected, Charger Failure, Lamp Failure, Service Alarm, AC "ON", Charger High Rate. The emergency lighting heads shall require no tools for orientation.

The unit shall be CSA 22.2 No.141-15 certified.

The unit shall be **Ready-Lite®** model: \_\_\_\_\_.

## WIRE GUARDS

460.0078-RL	wall mount	"A" cabinet
-------------	------------	-------------

## POWER CONSUMPTION AND UNIT RATING

MODEL	AC SPECS	WATTAGE CAPACITY					
		30 MIN	1H00	1H30	2H00	4H00	
LDX1236	120/347VAC	0.25/ 0.11A	36	21	15	12	6
LDX1272		0.25/ 0.11A	72	42	30	24	12
LDX12100		0.25/ 0.11A	100	58	42	33	17
LDX12130		0.25/ 0.11A	130	75	54	43	22
LDX24144		0.55/ 0.17 A	144	84	60	48	24

Note: Low wattage LED lamps provide extended time of emergency lighting without additional power.

## STANDARD YEAR LIFE EXPECTANCY, MAINTENANCE-FREE EMERGENCY LIGHTING UNITS.

The **LDX Series** battery units combine long life expectancy, high-performance design and a reasonable initial cost outlay. Ideally suited for a range of commercial applications that require high performance emergency lighting fixtures

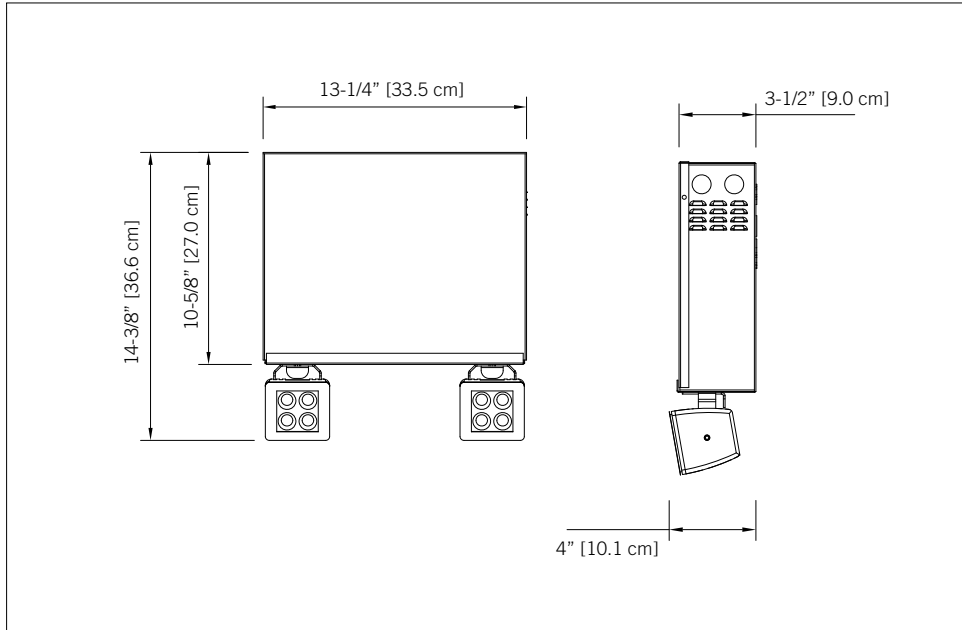
## FEATURES

- Rugged steel cabinet with corrosion-resistant undercoating
- Removable front panel on cabinet provides easy access and allows the unit to be mounted at ceiling height
- Solid-state pulse-type charger – current-limited, temperature compensated, short-circuit proof and reverse-polarity protected.
- Die cast aluminum high efficiency heads
- Innovative head design featuring four LEDs and a dual driver that provide even illumination even in case of unexpected component failure
- Standard grey colour (black optional)
- May be wired from top or side only. Rear keyhole slots provided for installation (except for 24V model)
- Maintenance-free Lead-Acid battery
- Standard 120/347VAC input voltage
- Advanced diagnostics capabilities (specific load requirements)
- Meets exceeds CSA C22.2 No. 141-15  
See warranty details at: [www.tnb.ca/en/brands/ready-lite](http://www.tnb.ca/en/brands/ready-lite)



## DIMENSIONS

Dimensions are approximate and subject to change.



## LDX SERIES HIGH-PERFORMANCE COMMERCIAL BATTERY UNIT

## ORDERING INFORMATION

SERIES	CHARGER TYPE	# OF HEADS	HEAD STYLE / LAMP WATTAGE	COLOUR	INPUT VOLTAGE	OPTIONS (CAN BE COMBINED)
<b>LDX1236</b> = 36W (A) <b>LDX1272</b> = 72W (A) <b>LDX12100</b> = 100W (A) <b>LDX12130</b> = 130W (A) <b>LDX24144</b> = 144W (A)	<b>AD</b> = autodiagnostic <b>ADN</b> = autodiagnostic non-audible <b>Blank</b> = standard <b>NEX</b> = NEXUS® Wired <b>NEXRF</b> = NEXUS® Wireless	<b>0</b> = no heads <b>2</b> = two heads	<b>L6</b> = 12-24V, 6W <b>L10</b> = 12-24V, 10W <b>L15</b> = 12-24V, 15W	<b>BK</b> = black <sup>1</sup> <b>GY</b> = grey (standard)	<b>Blank</b> = 120/347VAC input <b>-U277</b> = 120/277VAC input	<b>RFI</b> = 120VAC radio frequency interference filter <b>RF3</b> = 347VAC Radio frequency interference filter <b>TD</b> = time delay (15 min. default)
				<sup>1</sup> L15 head only		

EXAMPLE: LDX24-144U2L15



## LDXC-BLD SERIES

Steel, compact and 6V

**new product**



### TYPICAL SPECIFICATIONS

The contractor shall install the **Ready-Lite® LDXC-BLD Series** battery units. The emergency lighting system shall consist of fully automatic equipment with two emergency lighting heads. The unit shall be rated 6V with a capacity of 27W for 30 minutes of emergency operation.

The charger shall be factory set with a charging voltage tolerance of  $\pm 1\%$  to enable a longer battery life. The metal cabinet shall be made of steel with anti-corrosion undercoating.

The unit shall be CSA Certified to C22.2 no.141-15.

The unit shall be **Ready-Lite®** model: \_\_\_\_\_ .

### WIRE GUARDS

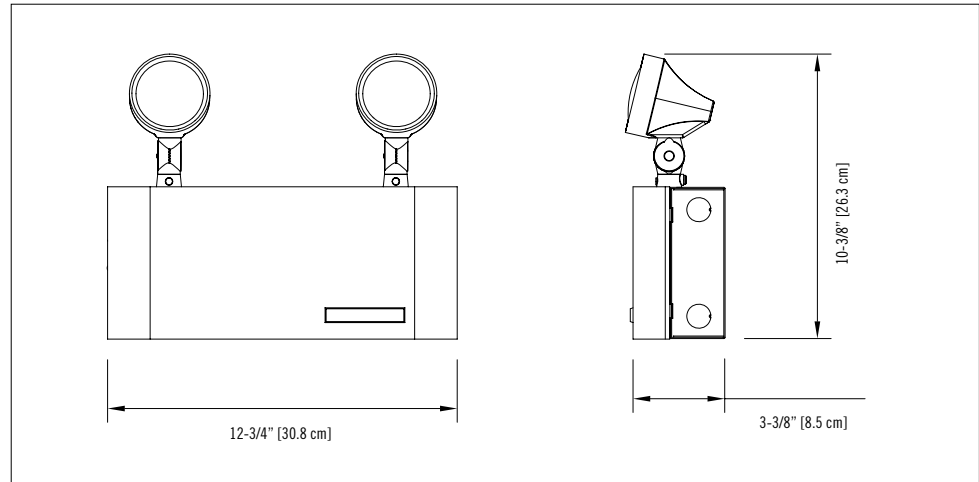
460.0080-RL	wall mount
-------------	------------

### POWER CONSUMPTION AND UNIT RATING

MODEL	AC SPECS	WATTAGE CAPACITY				
		30MIN	1H00	1H30	2H00	4H00
LDXC627	120/347 VAC 0.06/0.02A	27	15	11	9	-

### DIMENSIONS

Dimensions are approximate and subject to change.



### FEATURES

- “Built-in” 3W LED heads
- Compact steel cabinet with corrosion-resistant undercoating
- Quick and easy installation – pre-assembled cordset, no batteries or board to remove before installation
- Universal Spider knockout pattern for junction box mounting
- Fully automatic solid-state charger with test switch and AC-on pilot light
- Sealed dust-proof transfer relay circuit and low-voltage disconnect
- Long-life, maintenance-free sealed Lead-Acid battery
- Standard input 120 VAC with line cord installed
- 120/347 VAC without line cord
- Certified CSA C22.2 No.141-15

See warranty details at: [www.tnb.ca/en/brands/ready-lite](http://www.tnb.ca/en/brands/ready-lite)

### ORDERING INFORMATION

SERIES	CAPACITY	NUMBER OF HEADS	HEAD STYLE / WATTAGE	A.C VOLTAGE
LDXC6= 6V	27= 6V-27W	1= One head 2= Two heads	BLD= Built-in LED	<b>Blank</b> = 120VAC input comes with linecord <b>ZC</b> = 277VAC input <b>ZD</b> = 120/347VAC input

EXAMPLE: LDXC6-272BLD



## TYPICAL SPECIFICATIONS

The contractor will install the **Ready-Lite® Avenger™ Series** battery unit. The emergency lighting system shall consist of fully automatic equipment with two (2) emergency lighting heads. The emergency lighting heads shall require no tools for adjusting or aiming. Each unit shall contain a fully automatic, solid-state charger with test switch and AC-on pilot lights.

The unit shall contain a sealed transfer circuit and low-voltage disconnect circuit. The unit equipped with self-testing auto-diagnostic or Nexus® features shall automatically self-test for one minute every 30 days, 10 minutes in the 6th month and 30 minutes annually. When a fault is detected, the bi-colour pilot light shall turn from green to red and shall flash, identifying the source of the failure: battery, charger circuitry, lamp load. The battery shall be 6V with a capacity of 20W or 36W for 30 minutes.

The unit shall meet CSA C22.2 no 141-15.

The unit shall be **Ready-Lite®** model: \_\_\_\_\_ .

## WIRE GUARDS

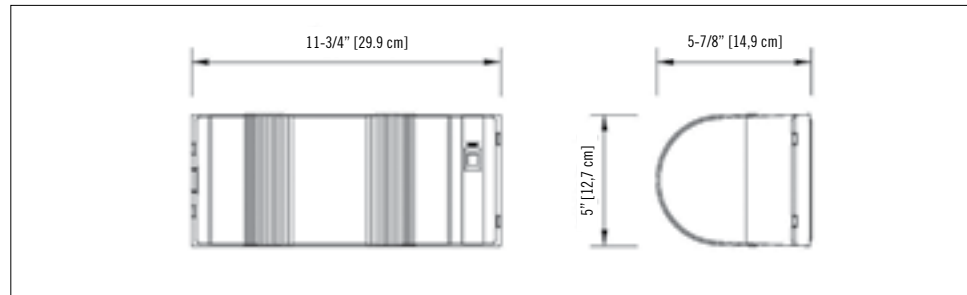
460.0080-RL	wall mount
-------------	------------

## REPLACEMENT LAMPS

MODEL	LAMP TYPE	VOLTAGE/WATTAGE
580.0097-RL	MR16, LED	6V-4W
580.0122-RL	MR16, LED	6V-5W

## DIMENSIONS

Dimensions are approximate and subject to change.



## POWER CONSUMPTION AND UNIT RATING

MODEL	AC SPECS		WATTAGE CAPACITY				
			30MIN	1H00	1H30	2H00	4H00
AVNG20N	120/347VAC	0.07/0.03 A	20	15	12	8	-
AVNG36N		0.08/0.03 A	36	21	15	12	6

## ORDERING INFORMATION

SERIES	UNIT TYPE	INPUT VOLTAGE	LAMP TYPE	COLOUR	OPTIONS
<b>AVNG20N</b> = 6V, 20W <b>AVNG36N</b> = 6V, 36W	- <b>AD</b> = auto-diagnostics - <b>ADNA</b> = auto-diagnostics, non-audible <b>Blank</b> = standard - <b>NEX</b> = NEXUS® system interface <sup>1</sup> - <b>NEXRF</b> = wireless NEXUS® system interface <sup>1</sup>	<b>2</b> = 120/277VAC <b>Blank</b> = 120/347VAC	<b>LD1</b> = MR16 LED, 6V-4W <b>LD2</b> = MR16 LED, 6V-5W	<b>B</b> = black <b>Blank</b> = factory white	<b>Blank</b> = no options <b>C</b> = line cord (120VAC only) <b>CM</b> = ceiling mount <b>VM</b> = voltmeter <sup>1</sup> <b>VR</b> = vandal resistant screws <sup>2</sup>
	<sup>1</sup> Available with AVNG-20N only Not all options available with NEXUS® System. Please consult your sales representative				<sup>1</sup> Available with standard unit only <sup>2</sup> 690.0454 bit sold separately

EXAMPLE: AVNG20-NEXRFLD1VR



## AVENGER™ SERIES

### FEATURES

- Injection-molded, impact, scratch and corrosion-resistant thermoplastic with a snap-together design
- Compact and versatile – unit measures only 11.75" x 5" and can be wall or ceiling mounted
- LED lamps with life expectancy of 50,000+ hours
- Maintenance-free, long-life sealed Lead Calcium battery
- Fast and easy installation - AC quick connect plug, battery knockout feature
- Fully automatic, solid-state charger with low voltage battery disconnect, brownout protection, integral test switch and long-life LED AC-On pilot lights
- Charger is temperature compensated and reverse polarity protected
- NEXUS® compatible (For more information, please consult your sales representative)
- Optional ceiling mount includes safety wire and pre-machined housing to receive a securement screw
- Meets or exceeds CSA 22.2 No.141-15
- Advanced diagnostics capabilities (specific load requirements)

See warranty details at: [www.tnb.ca/en/brands/ready-lite](http://www.tnb.ca/en/brands/ready-lite)



## ULTIMA™ SERIES

Thermoplastic, 6 and 12V



### TYPICAL SPECIFICATIONS

Supply and install the **Ready-Lite® Ultima™ Series** battery unit equipment. The unit construction shall include a housing and a front cover of high-impact thermoplastic moulded in white. No screws shall be necessary to hold the front cover to the housing. The unit shall be equipped with two emergency heads with adjustable swivels and MR-16 LED lamps of \_\_\_\_\_ V \_\_\_\_\_ W protected by snap-on shock-absorbent, clear polycarbonate covers. The unit shall be suitable for wall mount or as otherwise specified. The unit equipment shall have a dual-voltage input of 120/347VAC and shall be equipped with a test switch and a green pilot light, located on the left side.

The housing shall host the battery and the battery charger. The battery charger and other unit functions shall be driven by a micro-controller. All electronic circuitry shall be installed on a single printed circuit board. When specified, the unit equipped with auto-test shall automatically self-test for one minute every 30 days, 10 minutes every 6 months and 30 minutes annually. When a fault is detected, the bi-colour pilot light shall turn from green to red and start flashing. A legend on a label next to the pilot light shall display the source of failure: battery, charger circuitry or lamp load.

The unit equipment shall be listed to the standard CSA 22.2 No.141-15.

The unit equipment shall be **Ready-Lite®** model: \_\_\_\_\_.

### WIRE GUARDS

460.0080-RL	wall mount or ceiling mount
-------------	-----------------------------

### REPLACEMENT LAMPS

ORDERING CODE	LAMP TYPE	VOLTAGE/ WATTAGE
580.0097-RL	MR16, LED	6V-4W
580.0122-RL	MR16, LED	6V-5W
580.0093-RL	MR16, LED	12V-4W
580.0104-RL	MR16, LED	12V-5W
580.0106-RL	MR16, LED	12V-6W

### POWER CONSUMPTION AND UNIT RATING

MODEL	AC SPECS		WATTAGE CAPACITY				
			30MIN	1H00	1H30	2H00	4H00
640	120/347VAC	0.25 / 0.09 A	40	23	16	12	-
672			72	42	30	24	12
1280			80	44	32	26	13
12120			120	70	50	40	20
12150			150	84	60	48	24

#### ULTIMA™ FAMILY

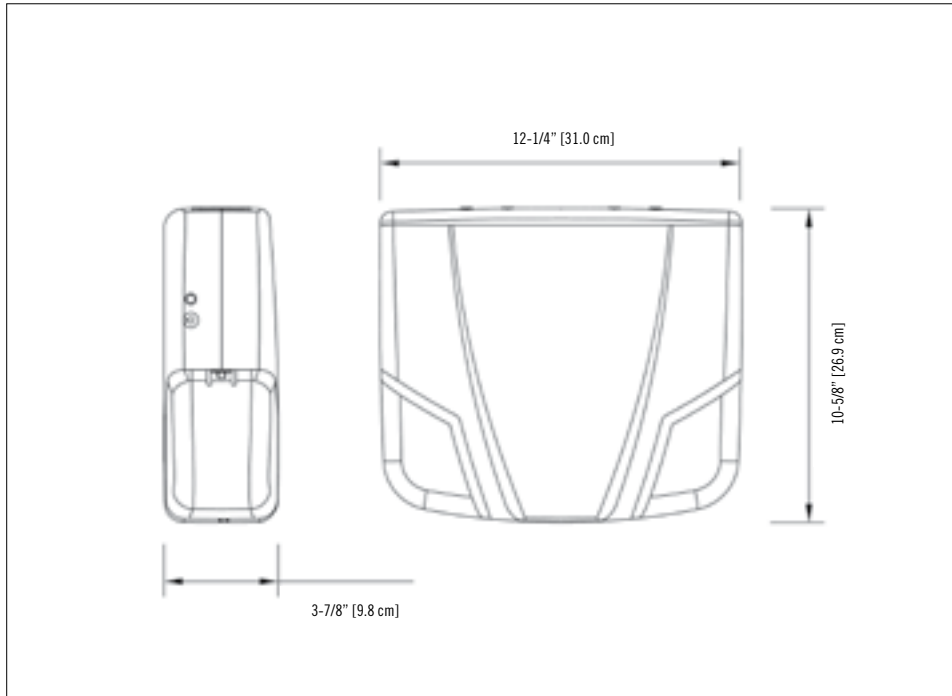


### FEATURES

- Designed with aesthetics, ease of installation and performance in mind
- Simple, compact and contemporary design
- Wall-mount, ceiling-mount flat or pendant installation
- Two-piece housing of injection molded thermoplastic
- Two MR16 LED lamps, shielded by clear polycarbonate covers
- Available with long lasting MR16 LED lamps
- Sealed, maintenance-free, Lead-Calcium battery
- Dual voltage input: 120/347VAC
- Up to 150W of total battery capacity
- Auto-diagnostics (optional)
- NEXUS® interface (optional)
- Certified CSA 22.2 No.141-15

## DIMENSIONS

Dimensions are approximate and subject to change.



## ULTIMA™ SERIES

Thermoplastic, 6 and 12V

## ORDERING INFORMATION

SERIES	CAPACITY	UNIT TYPE	HEADS	LAMPS	COLOUR	VOLTAGE	OPTIONS
ULT6= 6V	40= 40W 72= 72W	Blank= standard AD= auto-diagnostic* ADN= auto-diagnostic, non-audible* NEX= NEXUS® system interface* NEXRF= wireless NEXUS® system interface*	0= no heads 2= two heads	LD1= MR16 LED, 6V-4W LD2= MR16 LED, 6V-5W LD7= MR16 LED, 12V-4W LD9= MR16 LED, 12V-5W LD10= MR16 LED, 12V-6W	W= factory white B= black	Blank= 120/347VAC 2= 120/277VAC	Blank= no options CM= ceiling mount D3= time delay (15 mins.) LC= line cord (120V) PM= pendant mount*
ULT12= 12V	80= 80W 120= 120W 150= 150W						

\*Minimum lamp load required: 20% of unit capacity  
\*Not all options available with NEXUS® System. Please consult your sales representative

\*Pendant kit sold separately.

EXAMPLE: ULT6402LD1W



## MULT SERIES

Reduced Size  
Thermoplastic, 6 and 12V

### FEATURES

- Designed with aesthetics, ease of installation and performance in mind
  - Simple, compact and contemporary design
  - Wall, optional ceiling or pendant mount (optional)
  - Two-piece housing of injection molded thermoplastic
  - Two MR16 LED lamps, shielded by clear polycarbonate covers
  - Sealed, maintenance-free, Lead-Calcium batteries
  - Dual voltage input: 120/347VAC
  - Up to 48W of total battery capacity
  - Auto-diagnostics (optional)
  - NEXUS® interface (optional)
  - Advanced diagnostics capabilities (specific load requirements)
  - Meets or exceeds CSA 22.2 No.141-15
- See warranty details at: [www.tnb.ca/en/brands/ready-lite](http://www.tnb.ca/en/brands/ready-lite)

**new product**



### TYPICAL SPECIFICATIONS

Supply and install the **Ready-Lite® MULT Series** thermoplastic battery unit equipment. The unit construction shall include a housing and a front cover of high-impact thermoplastic moulded in white. No screws shall be necessary to hold the front cover to the housing. The unit shall be equipped with two emergency heads with adjustable swivels and MR-16 lamps of \_\_\_\_\_ V \_\_\_\_\_ W protected by snap-on shock-absorbent, clear polycarbonate covers. The unit shall be suitable for wall mount or as otherwise specified. The unit equipment shall have a dual-voltage input of 120/347VAC and shall be equipped with a test switch and a green pilot light, located on the left side.

The housing shall host the battery and the battery charger. The battery charger and other unit functions shall be driven by a micro-controller. All electronic circuitry shall be installed on a single printed circuit board. When specified, the unit equipped with auto-test shall automatically self-test for one minute every 30 days, 10 minutes every 6 months and 30 minutes annually. When a fault is detected, the bi-colour pilot light shall turn from green to red and start flashing. A legend on a label next to the pilot light shall display the source of failure: battery, charger circuitry or lamp load.

The unit equipment shall be listed to the standard CSA 22.2 No.141-15.

The unit equipment shall be **Ready-Lite®** model: \_\_\_\_\_

#### ULTIMA™ FAMILY



### WIRE GUARDS

460.0080-RL	wall mount or ceiling mount
-------------	-----------------------------

### REPLACEMENT LAMPS

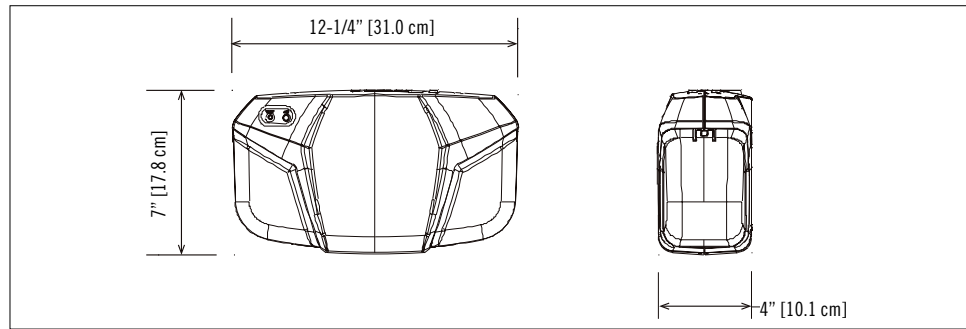
ORDERING CODE	LAMP TYPE	VOLTAGE/ WATTAGE
580.0093-RL	MR16, LED	12V-4W
580.0097-RL	MR16, LED	6V-4W
580.0122-RL	MR16, LED	6V-5W
580.0104-RL	MR16, LED	12V-5W
580.0106-RL	MR16, LED	12V-6W

### POWER CONSUMPTION AND UNIT RATING

MODEL	AC SPECS	WATTAGE CAPACITY					
		30MIN	1H00	1H30	2H00	4H00	
MULT6	120/347VAC	.11/.04A	24W	14W	10W	8W	4W
MULT12		.21/.07A	48W	28W	20W	16W	8W

## DIMENSIONS

Dimensions are approximate and subject to change.



## MULT SERIES

Reduced Size  
Thermoplastic, 6 and 12V

## WALL MOUNT



## ORDERING INFORMATION

SERIES	CAPACITY	UNIT TYPE	HEADS	LAMPS	COLOUR	VOLTAGE	OPTIONS
MULT6= 6V	24= 24W	AD= auto-diagnostic <sup>1</sup> ADN= auto-diagnostic, non-audible <sup>1</sup> Blank= standard NEX= Nexus® system interface <sup>2</sup> NEXRF= wireless Nexus® system interface <sup>2</sup>	0= no head 2= two heads	LD1= MR16 LED, 6V-4W LD2= MR16 LED, 6V-5W LD7= MR16 LED, 12V-4W LD9= MR16 LED, 12V-5W LD10= MR16 LED, 12V-6W	B= black W= factory white	2= 120/277VAC Blank= 120/347VAC U122= 120/208/220-240V 50/60Hz input <sup>1</sup>	Blank= no options CM= ceiling mount D3= time delay (15 mins.) LC= line cord (120V) PM= pendant mount <sup>1</sup>
MULT12= 12V	48= 48W	<sup>1</sup> Minimum lamp load required: 20% of unit capacity <sup>2</sup> Not all options available with NEXUS® System. Please consult your sales representative				<sup>1</sup> Not available with Nexus®	<sup>1</sup> Pendant kit (sold separately, see p.197)

EXAMPLE: MULT6242LD1W



# RCB-HO LED SERIES

Commercial Battery Unit

## TYPICAL SPECIFICATIONS

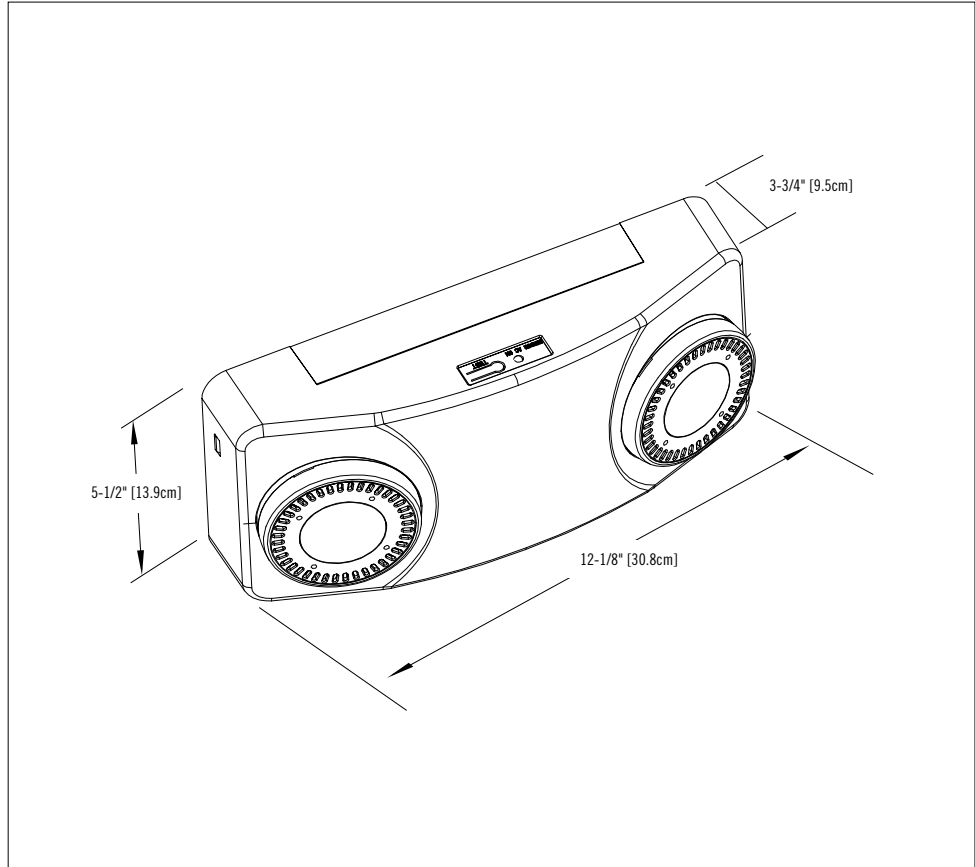
The contractor will install the **Ready-Lite® RCB-HO LED Series** battery unit. The emergency lighting system shall consist of fully automatic equipment with two High output LED heads. Each unit shall contain a fully automatic, solid state charger with test switch and AC ON pilot lights. The unit shall contain a sealed transfer circuit and low voltage disconnect circuit. The battery shall be 9.6V with a capacity of 12W for 90 minutes.

The unit shall be cUL approved to meet CSA 22.2 no. 141-15 standard.

The unit shall be **Ready-Lite®** model: \_\_\_\_\_ .

## DIMENSIONS

Dimensions are approximate and subject to change.



## FEATURES

- Fully adjustable LED glare-free lens
- 5.4W long life high output LED light source
- Provides 90' spacing at 7.5' mounting height
- Dual voltage input capability 120/347VAC
- Automatic, temperature compensated, pulse type charger
- Low voltage disconnect prevents over discharge of battery
- Automatic brownout protection
- Sealed 9.6V-12W Lithium-ion battery offering 90 minutes of emergency lighting
- Battery lock-out prevents discharge during installation
- Red LED charger monitor
- Momentary test switch allows for quick operational check
- Injection-molded thermoplastic ABS housing
- Rear keyhole slots and universal knock-outs to mount to any standard 4" junction box
- Fast and easy installation with snap-together design
- Ceiling or wall mount installation
- Comes standard with one (1) year warranty
- Meets or exceeds CSA C22.2 no.141-15  
See warranty details at: [www.tnb.ca/en/brands/ready-lite](http://www.tnb.ca/en/brands/ready-lite)

## POWER CONSUMPTION AND UNIT RATING

MODEL	AC SPECS			DC SPECS	
RCB-HO	120/347VAC	0.08 A	0.8 W	LifePO	min. 90 minutes

## ORDERING INFORMATION

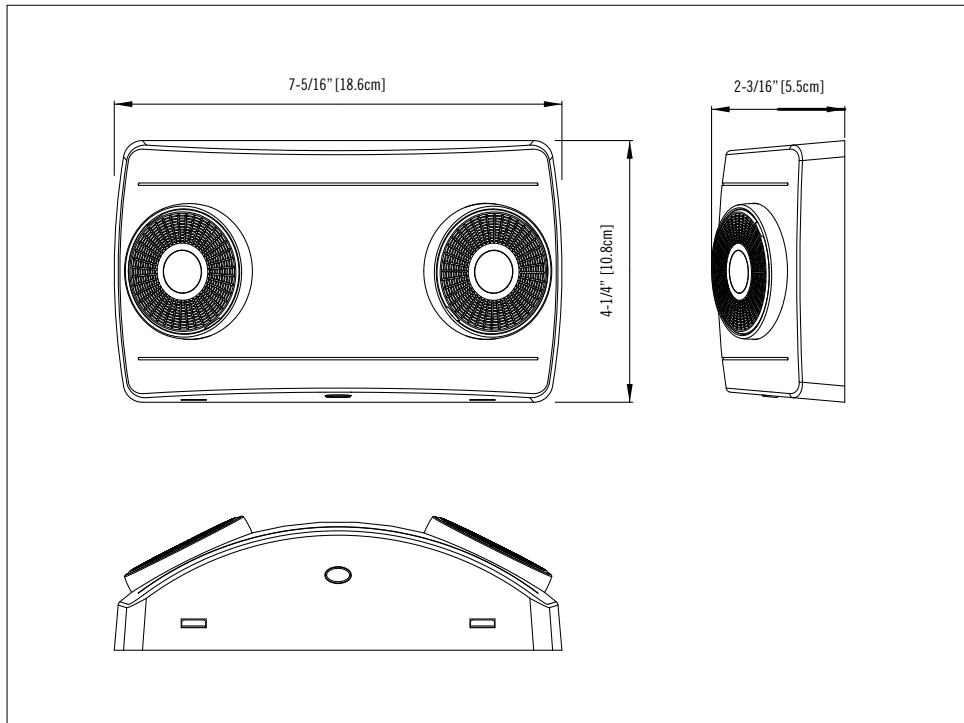
SERIES	VOLTAGE
RCB-HO= Commercial battery unit high output	Blank= 120/347VAC

EXAMPLE: RCB-HO



## DIMENSIONS

Dimensions are approximate and subject to change.



## RCSB SERIES

Miniature LED Battery Unit

### FEATURES

- Fully adjustable LED glare-free lens
- 3.6V 1W long life LED light source, 6000K
- Remote capacity for one dedicated remote head (RCSR-D only).
- Dual voltage input capability 120/277VAC
- Automatic, temperature compensated, pulse type charger
- Low voltage disconnect prevents over discharge of battery
- Automatic brownout protection
- Sealed maintenance-free 3.6V Nickel-Metal Hydride battery offering 90 minutes of emergency lighting
- Battery lock-out prevents discharge during installation
- Red LED charger monitor
- Momentary test switch allows for quick operational check
- Injection-molded thermoplastic ABS housing
- Rear keyhole slots and universal knock-outs to mount to any standard 4" junction box
- Fast and easy installation with snap-together design
- Ceiling or wall mount installation
- Meets CSA C22.2 no.141-15-10
- Comes standard with one (1) year warranty

## POWER CONSUMPTION AND UNIT RATING

MODEL	AC SPECS			DC SPECS	
	VOLTS	CURRENT	POWER	BATTERY	OPERATION TIME
RCSB-6	120/277VAC	0.06/0.07 A	0.4/0.6 W	NiMH battery	min. 90 minutes

\*NOTE: The RCS Family cannot be combined with other Ready-Lite® Products on the same emergency A.C. circuit.



## ORDERING INFORMATION

SERIES	CAPACITY	VOLTAGE	LAMP
RCSB	-6= 6W-3.6V	Blank= 120/277VAC	Blank= 2X 1W LED

EXAMPLE: RCSB-6



## TUF-NM SERIES

NEMA-4X Certified

### FEATURES

- Fully gasketed cast aluminum back plate with clear polycarbonate cover – NEMA-4X Certified
- Comes standard with non-audible advanced diagnostic, 15 minutes time delay and lamp disconnect
- Audible warning and time delay functions can be enabled or disabled during installation
- Micro-controller diagnostic system tests, detects and indicates battery, charger circuitry or LED lamp failures
- Non-intrusive magnetic test switch
- Long-life, maintenance-free sealed lead-acid battery
- 1/2" rigid conduit entry on top and back
- Can be installed on 4" junction boxes
- Comes standard with tamper-proof screws and bit
- Cold weather option -40°C (-40°F)
- NSF Certified for food processing plants
- CSA C22.2 No. 141-15 Certified
- NEXUS® compatible
- Standard 120/347VAC input voltage
- Advanced diagnostics capabilities (specific load requirements)

See warranty details at: [www.tnb.ca/en/brands/ready-lite](http://www.tnb.ca/en/brands/ready-lite)



### TYPICAL SPECIFICATIONS

Supply and install the **Ready-Lite® NEMA-4X Certified TUF-NM Series** battery unit. Specifically designed for high abuse areas, wet locations, and cold weather (CW option -40°C (-40°F)), the housing shall consist of a fully gasketed Die-Cast aluminum back plate and a clear heavy-duty UV resistant polycarbonate cover. The heads shall be fully adjustable without tools and the lamps shall be high efficiency LED. The standard unit shall be equipped with tamper-proof screws and bits. The **Ready-Lite® Advanced Diagnostic** Micro-controller charger board shall supply the rated load for a minimum of 30 minutes to 87.5% of the rated battery voltage. The charger incorporates lockout and brownout circuits, and low voltage disconnection. It protects the unit from over-current, short-circuit, and reverse polarity.

The unit shall be rated 120/347V, 60Hz. The unit shall have an output of \_\_\_\_\_ V. This unit shall self-test for 1 minute every 30 days, 10 minutes every 6 months and 30 minutes every 12 months. The unit shall be furnished with a non-intrusive magnetic test switch. A "Service Required" lamp shall be located near the test switch and flash when a fault is detected. A four-LED diagnostic display shall be located inside the equipment and shall identify the source of failure (battery, charger, circuitry, or lamps).

The unit shall be **Ready-Lite®** model: \_\_\_\_\_.

### REPLACEMENT LAMPS

ORDERING CODE	LAMP TYPE	VOLTAGE/ WATTAGE
580.0097-RL	MR16, LED	6V-4W
580.0122-RL	MR16, LED	6V-5W
580.0093-RL	MR16, LED	12V-4W
580.0104-RL	MR16, LED	12V-5W
580.0106-RL	MR16, LED	12V-6W

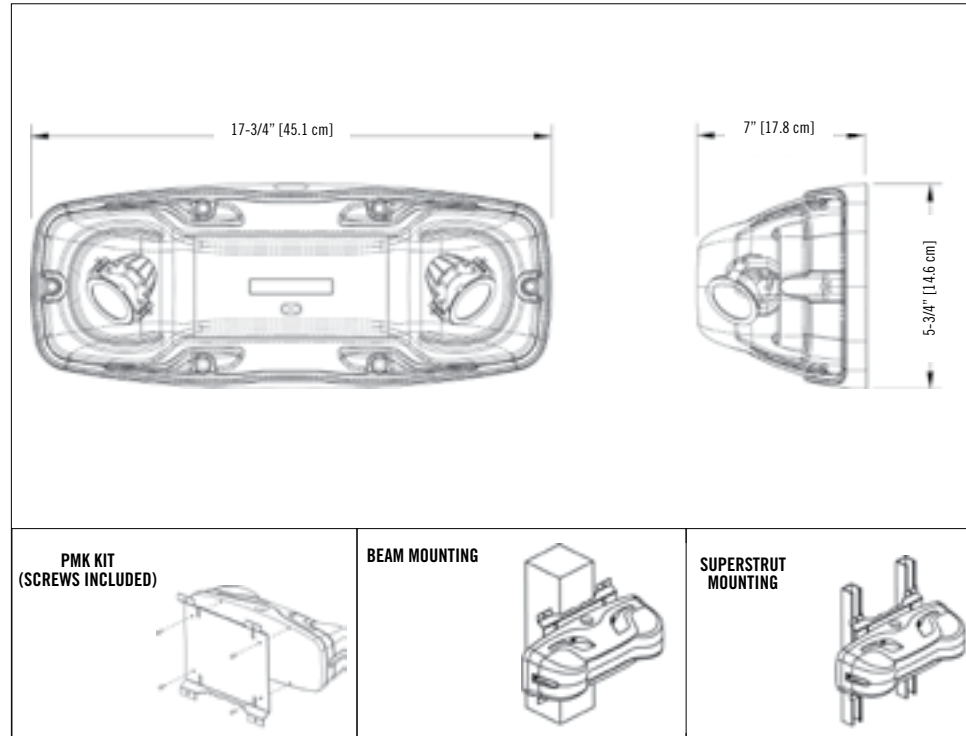






## DIMENSIONS

Dimensions are approximate and subject to change. Not suitable for ceiling installation.



## TUF-NM SERIES

NEMA-4X Certified

## POWER CONSUMPTION AND UNIT RATING

MODEL	AC SPECS		WATTAGE CAPACITY				
			30MIN	1H00	1H30	2H00	4H00
LDX6-36NM	120/347VAC	0.15/0.06 A	36	21	15	12	6
LDX12-72NM		0.25/0.10 A	72	42	30	24	12
LDX12-108NM		0.25/0.10 A	108	63	45	36	18
Cold Weather 36W	120VAC	0.45/0.20 A	36	-	-	-	-
Cold Weather 72/108W		0.85 A	72/108	-	-	-	-

\*Note: capacity depends on the ambient temperature

## ORDERING INFORMATION

SERIES	CAPACITY	CABINET	# OF HEADS	LAMP TYPE	COLOUR	AC VOLTAGE	OPTIONS
LDX6= 6V LDX12= 12V	-36= 6V-36W -72= 12V-72W -108= 12V-108W	NM= NEMA-4X	2= 2 heads	LD1= MR16 LED, 6V-4W <sup>1</sup> LD2= MR16 LED, 6V-5W <sup>1</sup> LD7= MR16 LED, 12V-4W <sup>1</sup> LD9= MR16 LED, 12V-5W LD10= MR16 LED, 12V-6W	BK= black Blank= white GY= grey	277= 277VAC Blank= 120/347VAC	Blank= auto-diagnostic, non-audible CW1= cold weather 120VAC CW3= cold weather 347VAC <sup>1</sup> NEX= NEXUS® system Interface <sup>2</sup> NEXRF= wireless NEXUS® system interface <sup>1</sup> PMK= universal bracket (sold separately) PMK-RL= universal bracket (sold separately)

<sup>1</sup> Available in 6V only

<sup>2</sup> Not all options available with NEXUS® System. Please consult your sales representative

EXAMPLE: LDX6-36NM2LD1



## RHP SERIES

NEMA-4X Rated



### TYPICAL SPECIFICATIONS

Supply and install the **Ready-Lite® RHP Series** battery unit equipment. The unit enclosure shall have a compression-molded fiberglass construction and shall be equipped with a hinged, overlapping cover. The cover shall include a 3/16" wide rubber gasket and shall fasten with two stainless-steel captive screws. The enclosure shall have lateral flanges with holes for easy installation on the wall and also include two water-tight plugs of size 1/2" NPT for vertical and horizontal conduit and wire access. The emergency lighting heads shall be installed at the bottom of the cabinet and have the electrical cable passing through the swivel via water-tight bushings. The heads shall be made of die-cast aluminum and have a flat square lens made of UV-stabilized clear polycarbonate. The lens shall be sealed with a rubber gasket and be fixed with an aluminum frame and 6 (six) tamper-proof screws. Each head shall include four (4) LEDs and two independent LED drivers with electrical connections allowing for lighting even in case of unexpected component failure. Each head shall have an input voltage range of 12 – 24VDC and a constant power regulation, providing stable illumination during variations of the battery discharge voltage.

The equipment shall have a dual AC input rated 120/347VAC 60Hz and a charger module equipped with micro-controller and solid-state transfer relay. The charger shall perform functions like: AC brownout detection, battery lockout, low voltage battery disconnect, and provide protection against overcurrent, short-circuit, and DC reverse polarity.

Auto-Diagnostic option shall execute automatic tests for one minute every 30 days, 10 minutes every sixth month and 30 minutes every 12 months. In case of functional failure detection the equipment pilot light shall change color from green to red and signal a service alarm with specific flashing codes: battery or lamp disconnect, battery failure, charger failure, lamp failure. A label installed on the cover shall contain the legend with diagnostic codes. The equipment shall come standard with an infrared remote test control.

The equipment shall be rated NEMA-4X for hose-down applications. The equipment shall be listed to cUL standards for Damp and Wet Locations.

Certified to CSA C22.2 No.141-15-15.

The unit shall be **Ready-Lite®** model: \_\_\_\_\_.

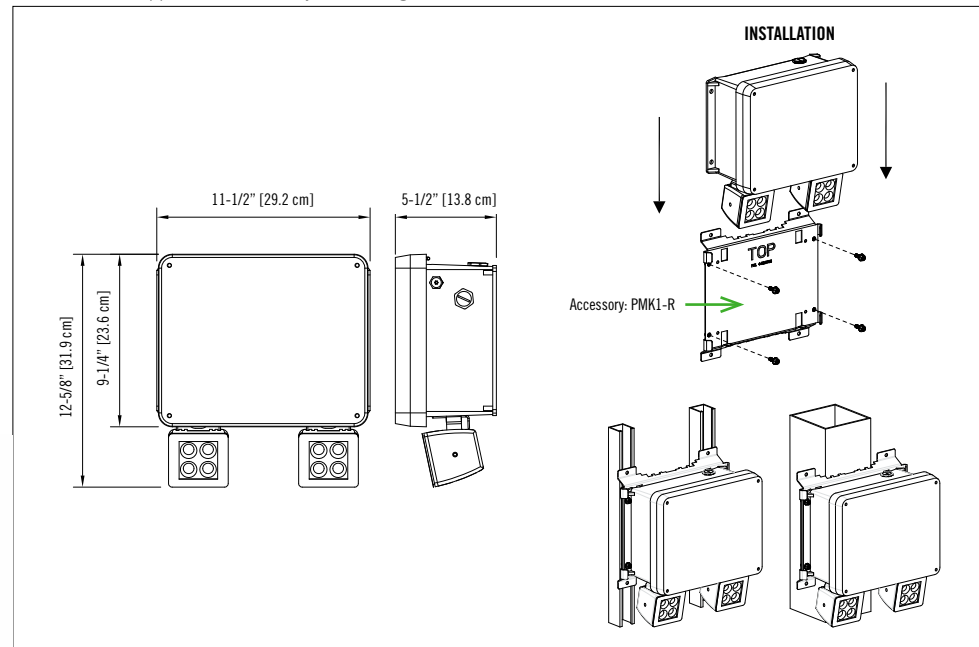
### POWER CONSUMPTION AND UNIT RATING

MODEL	AC SPECS			WATTAGE CAPACITY				
	120VAC	277VAC	347VAC	30MIN	1H00	1H30	2H00*	4H00*
1275	0.20A	0.10A	0.07A	75	40	30	24*	15*
24150	0.37A	0.18A	0.12A	150	80	90	48*	30*
1275-CW	0.40A	0.25A	0.15A	75	40	30	24*	15*
24150-CW	0.50A	0.25A	0.20A	150	80	90	48*	30*

\*Note: the cold-weather option is only rated for maximum 90 minutes

### DIMENSIONS

Dimensions are approximate and subject to change.



### FEATURES

- Fiberglass grey housing with captive screws. It is designed for heavy-duty industrial applications: indoors, outdoors, hose-down areas, cold-storage facilities etc
- NEMA-4X protection grade against liquids and windblown dust
- High ambient temperature up to 50°C [122°F] and optional cold-weather -40°C to 50°C [-40°F to 122°C]
- High temperature Lead-Calcium Battery
- High-efficacy LED emergency heads outperform traditional 50W halogen lamps
- Innovative head design: four-LED and dual-driver provide illumination even in case of unexpected component failure
- Product features stainless steel exterior hardware
- Simple and easy to install on walls, poles, columns or struts. For vertical installation on poles or columns use mounting bracket catalogue number: PMK1-R (sold separately)
- May be wired from top or side (see drawing for position)
- Standard infrared remote test control included in all models: allows to test the equipment without the need to climb a ladder. Functional up to a distance of 30 ft. Universal, one Remote Test Control may test all units on the job.
- Optional Audible and Non-Audible Auto-Diagnostic
- Optional NEXUS® central monitoring system
- Meets or exceeds CSA C22.2 No. 141-15-15
- Advanced diagnostics capabilities (specific load requirements)
- 1 Year limited warranty  
See warranty details at: [www.tnb.ca/en/brands/ready-lite](http://www.tnb.ca/en/brands/ready-lite)

### REMOTE TEST CONTROL



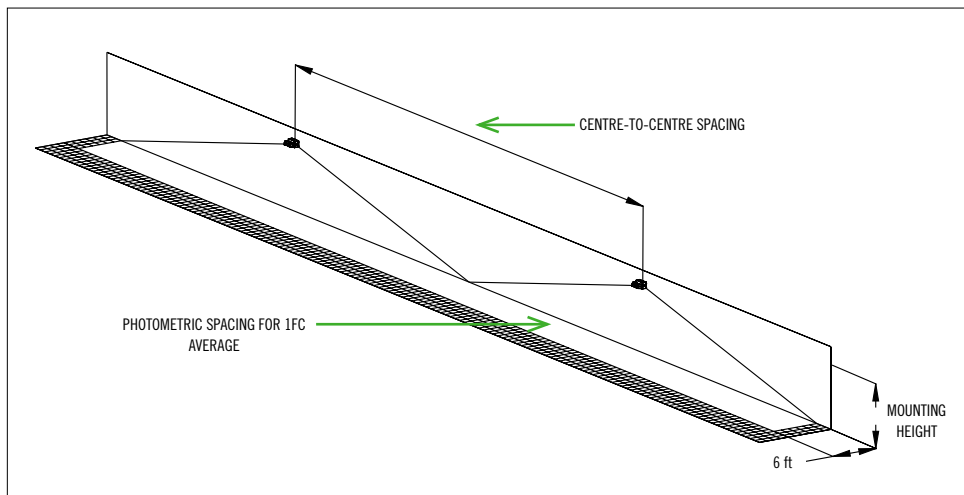
## PHOTOMETRY PERFORMANCE

Whether installed indoors or outdoors, the **RHP Series** of LED emergency lights deliver a stable and consistent illumination on the path of egress for a wide range of mounting heights. Depending on the application, one may select and specify among three types of performance for the right power consumption, lumen output and cross reference to traditional incandescent emergency lights.

LED LAMP	POWER (W)	TOTAL LUMENS	OUTPERFORMS THE INCANDESCENT
L6	6W	565	35W PAR36, MR16 Halogen
L10	10W	1030	50W PAR36, MR16 Halogen
L15	15W	1320	50W MR16-IR Halogen

Industrial environment: wall mounted equipment, reflectances: 10/10/10; 6ft wide illumination path. 200 ft X 200 ft X 30 ft space. The illumination level meets all requirements of the NBC; Average: 1fc; Min: 0.1fc.

MOUNTING HEIGHT	SPACING CENTRE-TO-CENTRE (FEET)		
	LAMP L6 / 6W, 565LM	LAMP L10 / 10W, 1000LM	LAMP L15 / 15W, 1300LM
10 ft	80	110	140
15 ft	70	105	135
20 ft	60	100	130
25 ft	50	95	120



## ORDERING INFORMATION

SERIES	UNIT CAPACITY	NUMBER OF HEADS	LED LAMP TYPE	FUNCTIONS	OPTIONS
<b>RHP</b> = high performance battery	<b>1275</b> = 12V-75W <b>24150</b> = 24V-150W	0= no heads 1= one head 2= two heads	<b>L6</b> = 12V, 24V-6W <b>L10</b> = 12V, 24V-10W <b>L15</b> = 12V, 24V-15W	<b>AD</b> = auto-diagnostic, audible <sup>1</sup> <b>ADN</b> = auto-diagnostic, non-audible <sup>1</sup> <b>Blank</b> = no auto-diagnostic function <b>NEX</b> = NEXUS <sup>®</sup> wired system interface <sup>1</sup> <b>NEXRF</b> = NEXUS <sup>®</sup> wireless system interface <sup>1</sup>	<b>CW</b> = cold-weather -40°C [-40°F] (120/347V) <b>CW2</b> = cold-weather -40°C [-40°F] (120/277V) <b>D3</b> = time delay (15 minutes) <b>RF1</b> = radio frequency interference filter (120/277VAC) <b>RF3</b> = radio frequency interference filter (347VAC) <sup>1</sup> <b>U2</b> = 277VAC, 60Hz input
				<sup>1</sup> Minimum lamp load required: 20% of unit capacity For more information on Nexus, please consult your sales representative.	<sup>1</sup> Not available with CW option. <b>PMK1-R</b> = Pole mounting bracket (sold separately)

EXAMPLE: RHP12752L6ADRF1



## RHP SERIES

NEMA-4X Rated



## RHZ SERIES

High-performance unit equipment for hazardous locations. Class I, Div. 2; Groups A, B, C & D, Class II Div 2; Groups F & G Class III

**new product**



### TYPICAL SPECIFICATIONS

Supply and install **Ready-Lite® RHZ Series** of battery unit equipment. The unit enclosure shall have a compression-molded fiberglass construction and shall be equipped with a hinged, overlapping cover. The cover shall include a 3/16" wide rubber gasket and shall fasten with two stainless-steel captive screws. The enclosure shall have lateral flanges with holes for easy installation on the wall and shall include two entries for vertical and horizontal conduit and wire access. The installation kit shall include two cable glands of size 1/2" NPT, rated for hazardous locations. The emergency lighting heads shall be installed at the bottom of the cabinet and have the electrical cable passing through the swivel via water-tight bushings. The heads shall be made of die-cast aluminum and have a flat square lens made of UV-stabilized clear polycarbonate. The lens shall be sealed with a rubber gasket and be fixed with an aluminum frame and 6 (six) tamper-proof screws. Each head shall include four (4) LED lamps and two independent LED drivers with electrical connections allowing for lighting even in case of unexpected component failure. Each emergency head shall have an input voltage range of 12 – 24Vdc and a constant power regulation, providing stable illumination during variations of the battery discharge voltage.

When specified, the unit equipment with Auto-Diagnostic option shall execute automatic tests for one minute every 30 days, 10 minutes every sixth month and 30 minutes every 12 months. In case of a functional failure detection: the unit equipment pilot light shall change color from green to red and signal a service alarm with specific flashing codes: battery or lamp disconnect, battery failure, charger failure, lamp failure, or heater failure (cold-weather option). A label installed near the pilot light shall contain the legend with diagnostic codes. The unit equipment shall come standard with an infrared remote test control.

The unit equipment shall be rated NEMA-4X for hose-down applications. The equipment shall be cUL listed to CSA22.2 Standard No.141-15 and No.137-M1981 for hazardous locations: Class I Division 2, Groups A, B, C and D; Class II Division 2, Groups F and G and Class III.

The unit shall be **Ready-Lite®** model: \_\_\_\_\_.

### FEATURES

- Evaluated to CSA C22.2 No.141 15 and No.137-M1981 for use in hazardous locations: Class I Division 2, Groups A, B, C and D; Class II Division 2, Groups F and G and Class III
- Nema-4X protection grade against liquids and dust
- Fiberglass light-grey housing with captive screws; stainless steel hardware
- High ambient temperature up to 50°C (122°F); optional cold-weather -40°C to 50°C (-40°F to 122°F)
- High-temperature Lead-Calcium battery
- High-efficiency LED emergency heads outperform traditional 50W halogen lamps.
- Innovative lamp design: four-LED and dual-driver provide illumination even in case of unexpected component failure
- Compact size: 0.46 cubic feet
- Simple and easy to install on walls, columns or struts on vertical position. For installation on columns use mounting bracket catalogue number: PMK1-R (order separately) \*See warning in installation drawing below
- Standard infra-red remote control included in all models: allows testing the equipment without the need to climb a ladder. Distance range up to 30 ft. Universal, one Remote Control may test all the units on the job.
- Optional Audible or Non-Audible Auto-Diagnostic
- Optional Nexus® central monitoring system
- Advanced diagnostics capabilities (specific load requirements)
- 1 Year limited warranty  
See warranty details at: [www.tnb.ca/en/brands/ready-lite](http://www.tnb.ca/en/brands/ready-lite)

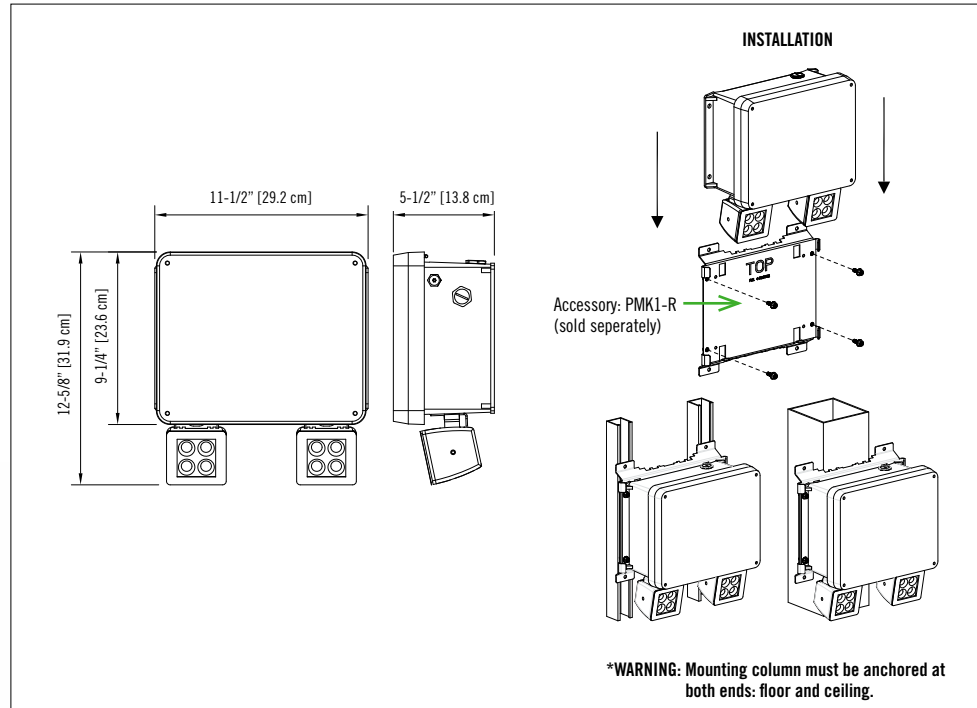
### POWER CONSUMPTION AND UNIT RATING

MODEL	AC SPECS			WATTAGE CAPACITY				
	120VAC	277VAC	347VAC	30MIN	1H00	1H30	2H00*	4H00*
1275	0.20A	0.10A	0.07A	75	40	30	24	15
24150	0.37A	0.18A	0.12A	150	80	90	48	30
1275-CW	0.40A	0.25A	0.15A	75	40	30	N/A*	N/A*
24150-CW	0.50A	0.25A	0.20A	150	80	90	N/A*	N/A*

\*Note: the cold-weather

### DIMENSIONS

Dimensions are approximate and subject to change.



### REMOTE TEST CONTROL





## RHZ SERIES

High-performance unit equipment for hazardous locations. Class I, Div. 2; Groups A, B, C & D, Class II Div 2; Groups F & G Class III

### CLASSIFICATION FOR HAZARDOUS LOCATIONS

TYPE OF EMERGENCY HEADS	CLASSIFICATION	TEMPERATURE CODE	
		TA = 40°C	TA = 50°C
L15	Class I Division 2 Groups A, B, C and D	T3C	T3A
	Class II Division 2 Groups F and G; Class III	T5	T5
No Heads	Class I Division 2 Groups A, B, C and D	T4A	
	Class II Division 2 Groups F and G; Class III	T6	

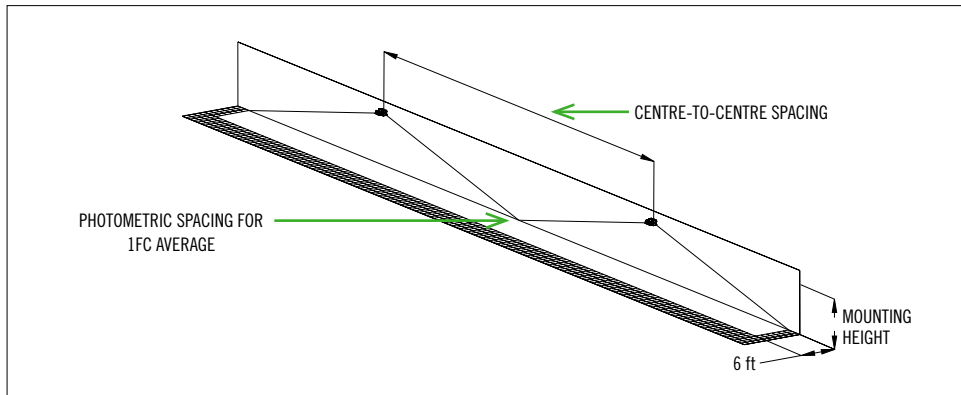
### PHOTOMETRY PERFORMANCE

Whether installed indoors or outdoors, the **RHZ Series** of LED emergency lights deliver a stable and consistent illumination on the path of egress for a wide range of mounting heights.

LED LAMP	POWER (W)	TOTAL LUMENS	OUTPERFORMS THE INCANDESCENT LAMPS
L15	15W	1320	50W MR16-IR Halogen

Industrial environment: wall mounted equipment, reflectances: 10/10/10; 6-ft wide illumination path. Illumination as per NFPA101; Average: 1fc; Min: 0.1fc; Max/min < 40:1

MOUNTING HEIGHT	SPACING CENTRE-TO-CENTRE (FEET)
	LAMP L15 / 15W, 1300LM
10 ft	140
15 ft	135
20 ft	130
25 ft	120
30 ft	110



### ORDERING INFORMATION

SERIES	UNIT CAPACITY	NUMBER OF HEADS	LED LAMP TYPE	FUNCTIONS	OPTIONS
<b>RHZ</b> = Hazardous locations. Cl.I D2, Cl.II D2, Cl.III	<b>1275</b> = 12V-75W; 10°C to 50°C Amb (10°F to 122°F) <b>24150</b> = 24V-150W; 10°C to 50°C Amb (10°F to 122°F)	<b>0</b> = no heads <b>1</b> = one head <b>2</b> = two heads	<b>L15</b> = 12V, 24V-15W	<b>AD</b> = auto-diagnostic, audible <sup>1</sup> <b>ADN</b> = auto-diagnostic, non-audible <sup>1</sup> <b>Blank</b> = no auto-diagnostic function <b>NEX</b> = Nexus® wired system interface <sup>1</sup> <b>NEXRF</b> = Nexus® wireless system interface <sup>1</sup>	<b>CW</b> = Cold-weather, 120/347V, -40°C to 50°C Amb (-40°F to 58°F) <b>CW2</b> = (120/277V) Cold-weather (-40°C to 50°C Amb) <b>D3</b> = time delay (15 minutes) <b>RF1</b> = radio frequency interference filter (120/277VAC) <b>RF3</b> = radio frequency interference filter (347VAC) <sup>1</sup> <b>U2</b> = 120/277VAC input <b>U122</b> = 120/208/220-240V 50/60Hz input <sup>1</sup>
				<sup>1</sup> Minimum lamp load required: 20% of unit capacity  For more information, please consult your sales representative.	<sup>1</sup> 12V units only, not available with Nexus® & CW Not available with CW option <b>PMK1-R</b> = universal mounting bracket (sold separately)

EXAMPLE: RHZ12752L15ADND3



## LDX-NX SERIES

6, 12 and 24V  
 NEMA-4X Rated

### FEATURES

- Fully gasketed fiberglass reinforced polyester housing - NEMA 4X
- Solid-state pulse-type charger – current – limited, temperature-compensated, short-circuit proof and reverse-polarity protected
- Unit comes standard with electronic lockout and brownout circuits
- Sealed dust-proof transfer relay, test switch and LED indicator lights
- Long-life, maintenance-free sealed lead acid battery
- Standard 120/347VAC input voltage
- NEXUS® compatible (for more information on NEXUS®, please consult your sales representative)
- Certified CSA C22.2 No. 141-15
- Advanced diagnostics capabilities (specific load requirements)

See warranty details at: [www.tnb.ca/en/brands/ready-lite](http://www.tnb.ca/en/brands/ready-lite)

### TYPICAL SPECIFICATIONS

Supply and install the **Ready-Lite® NEMA-4X Rated LDX-NX Series** battery unit. The unit shall be specifically designed for high abuse areas and wet locations. The unit enclosure shall be of fiberglass-reinforced polyester and shall include a hinged door, fully gasketed and locked with two corrosion-resistant screws. The emergency head(s) shall be installed at the bottom of the unit and/or at both sides and shall be covered by a UV-resistant polycarbonate cover. The bottom head shall include one or two lamps as specified. The unit shall come with two heads at the sides, each with one LED lamp. The lamps shall be high-efficiency, long-life LED type of: \_\_V \_\_W as specified. The lamp swivels shall be easily adjustable without tools. The unit enclosure shall include a test switch and a pilot light. The unit shall include sealed, maintenance-free Lead-Calcium batteries and an electronic module for the battery charger and other emergency lighting functions. The charger shall be computer-tested and its maximum charge voltage set in the factory with ± 1% tolerance.

A pulse-type charger shall be employed to promote long battery life and reduce the potential for grid corrosion. The charger shall provide a continuous high charge to recharge the battery and when the battery is at full capacity, the charger will shut off. Periodically the charger shall provide a pulse of energy to keep the battery topped off. The charger shall be current limited, temperature compensated and short-circuit proof. The unit shall be furnished with an electronic lockout circuit, which will connect the battery when the AC circuit is activated, and an electronic brownout circuit, which will activate the emergency lights when utility power dips below 75% of nominal voltage. A low voltage battery protection circuit shall be provided and will disconnect the battery from the fused output circuit at the end of discharge. When specified, the unit equipped with the **Ready-Lite® Auto-Diagnostic** feature shall include a micro-controller based charger board that will generate an automatic test for 1 minute every 30 days, 10 minutes every six months and 30 minutes every 12 months.

The micro-controller circuitry shall ensure equipment readiness and reliability by continuously monitoring every critical function of the unit. If a component failure occurs, the pilot light located on the front of the unit will change color from green to red and will flash indicating a fault. A detailed diagnostic legend shall be available next to the pilot light and shall provide fault identification (battery, charger circuitry, lamps) for maintenance personnel. The unit shall be capable of full recharge in compliance with CSA specifications and supply the rated load for a minimum of a 1/2 hour to 87.5% of the rated battery voltage. The unit shall be rated 120V or 347V, 60 Hz and shall have an output of: \_\_ V \_\_ W. The unit shall be **Ready-Lite®** model: \_\_\_\_\_.

### WIRE GUARDS

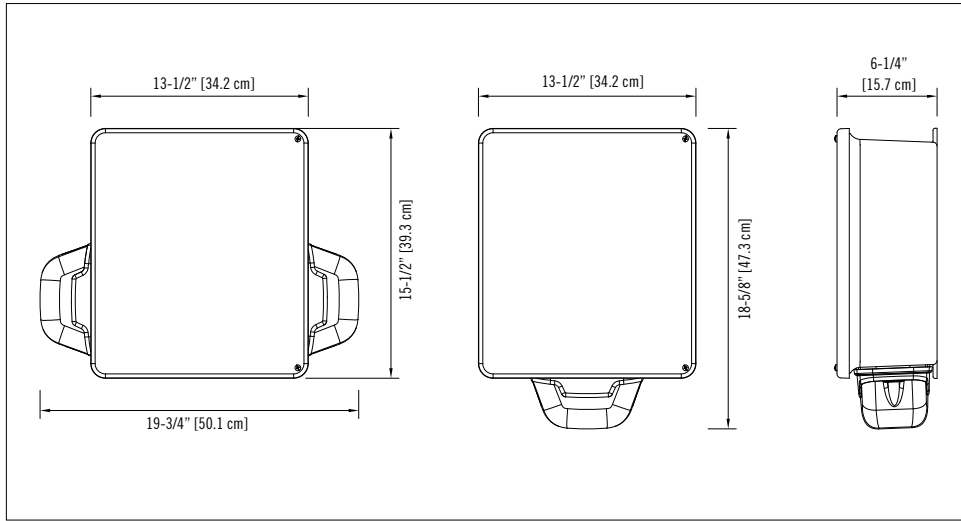
460.0034-RL	wall mount
-------------	------------

### POWER CONSUMPTION AND UNIT RATING

MODEL	AC SPECS	WATTAGE CAPACITY				
		30MIN	1H00	1H30	2H00	4H00
LDX6-72NX	0.22/0.08 A	72	42	30	24	12
LDX6-108NX		108	63	45	36	18
LDX6-180NX		180	105	75	60	30
LDX12-144NX	0.40/0.14 A	144	84	60	48	24
LDX12-200NX	0.41/0.14 A	200	117	83	67	33
LDX12-250NX	120/347VAC 0.41/0.14 A	250	120	90	83	42
LDX12-360NX		360	200	160	120	60
LDX24-144NX		0.55 / 0.20 A	144	84	60	48
LDX24-288NX	0.67 / 0.23 A	288	168	120	96	48
LDX24-350NX	0.67 / 0.23 A	350	200	144	120	60
LDX24-432NX	0.67 / 0.23 A	432	250	180	140	72

## DIMENSIONS

Dimensions are approximate and subject to change.



## LDX-NX SERIES

6, 12 and 24V  
 NEMA-4X Rated

## ORDERING INFORMATION

SERIES	CAPACITY	HOUSING	SPECIAL OPTIONS	# OF HEADS	HEAD STYLE/LAMP WATTAGE	OPTIONS	AC VOLTAGE
LDX6= 6V	-72= 72W -108= 108W -180= 180W	NX= NEMA-4X	AD= auto-diagnostic <sup>1</sup> ADN= auto-diagnostic non audible <sup>1</sup>	1= single head bottom, one lamp	LD1= MR16 LED, 6V-4W LD2= MR16 LED, 6V-5W LD7= MR16 LED, 12V-4W LD9= MR16 LED, 12V-5W LD10= MR16 LED, 12V-6W LD13= MR16 LED, 24V-4W LD14= MR16 LED, 24V-6W	D3= time delay (15 mins.)	Blank= 120/347 VAC input U27= 277VAC input
LDX12= 12V	-144= 144W -200= 200W -250= 250W -360= 360W	NX= NEMA-4X	Blank= standard NEX= NEXUS® system interface <sup>2</sup> NEXRF= wireless NEXUS® system interface <sup>2</sup>	1S= single head bottom with single head on each side, three lamps 2= single head bottom, two lamps 2S= double head bottom with single head on each side, four lamps			
LDX24= 24V	-144= 144W -288= 288W -350= 350W -432= 432W	NX= NEMA-4X		Blank= no heads S= no head bottom with single head on each side			

<sup>1</sup> Minimum lamp load required: 20% of unit capacity

<sup>2</sup> Not all options available with NEXUS® System. Please consult your sales representative

EXAMPLE: LDX24-144NX2LD14



## LDX-HZ SERIES

Battery Unit Hazardous Locations: Class I Div 2, Class II Div 1&2 and Class III



### TYPICAL SPECIFICATIONS

Supply and install **Ready-Lite® LDX-HZ Series** battery units. Designed specifically for Hazardous Location environments, the equipment frame shall be of industrial grade polymeric material with gaskets around both sides of the contour. The frame shall be fixed between two plates made of 1/8" thick aluminum sheet. The back plate shall include four keyholes for wall-mount installation. The front plate shall include two water-tight lenses for pilot lights: AC-on and "Service required". When specified, the equipment shall have attached a lower compartment containing two emergency lights with adjustable swivels and LED lamps. The lamps shall be shielded by a cast aluminum housing and protected by a shock-absorbent, transparent polycarbonate cover. The equipment shall be certified for Hazardous Locations: Class I Division 2 Groups A, B, C and D, Class II Division 1&2 Groups E, F and G as well as Class III. The standard equipment shall have a dual voltage input: 120/347VAC and shall be equipped with a magnetic test switch located on the left side of the frame.

The unit shall include self-testing/auto-diagnostic functions monitored by a micro-controller and shall automatically self test for one minute every 30 days, 10 minutes every 6 months and 30 minutes annually. The "Service required" LED shall light when a fault is detected. A four-LED diagnostic display located inside the equipment shall identify the source of the failure (battery, charger circuitry, lamp load).

The unit shall be listed CSA C22.2 No.141-15 and No. 137 – M1984

The battery unit shall be **Ready-Lite®** model: \_\_\_\_\_ .

### FEATURES

- Includes the addition of Class II Div 1&2 Groups E, F and G as well as Class III ratings
- Certified Class I Zone 2, Groups IIA, IIB and IIC
- Certified Class I Division 2, Groups A, B, C and D as per CSA C22.2 No.137-M1981
- Certified temperature codes for several types of emergency lamps
- Suited for areas with the risk of flammable gases, vapors or liquids that can create an explosive atmosphere
- Certified CSA C22.2 No141-15
- Heavy-duty 1/8" thick aluminum back plate with keyholes for secure wall-mount installation
- Two LED lamps, shielded by a cast aluminum housing and a polycarbonate cover
- 5W LED emergency lights provide 60 ft of egress illumination on a 6-foot wide path
- 6W LED emergency lights provide 100 ft of egress illumination on a 6-foot wide path
- Sealed, maintenance-free, Lead-Calcium batteries with up to 150W emergency power
- Built-in microcontroller-based battery charger and auto-diagnostics circuitry
- 1/2" electrical conduit entry on both sides and at the top
- NEXUS® compatible (for more information on NEXUS®, please contact your sales representative)
- Advanced diagnostics capabilities (specific load requirements)

See warranty details at: [www.tnb.ca/en/brands/ready-lite](http://www.tnb.ca/en/brands/ready-lite)

### HAZARDOUS LOCATION FAMILY CLASS I, II AND III



### TEMPERATURE CODES (CLASS I DIVISION 2)

LAMP RATING	TEMPERATURE CODE	MAX. TEMPERATURE	REPLACEMENT LAMP
6V-4W LED	T4A	120°C	580.0097-RL
6V-5W LED	T4A	120°C	580.0122-RL
12V-4W LED	T4A	120°C	580.0093-RL
12V-5W LED	T4A	120°C	580.0104-RL
12V-6W LED	T4	135°C	580.0106-RL

Note: Use qualified replacement lamps to avoid risk of over-heating.

### POWER CONSUMPTION AND UNIT RATING

MODEL	AC SPECS		WATTAGE CAPACITY				
			30MIN	1H00	1H30	2H00	4H00
LDX-36HZ	120/347VAC	0.15/0.06 A	36	21	15	12	-
LDX-72HZ		0.30/0.10 A	72	42	30	24	12
LDX-120HZ		0.30/0.10 A	120	70	50	40	20
LDX-150HZ		0.30/0.10 A	150	-	72	-	-



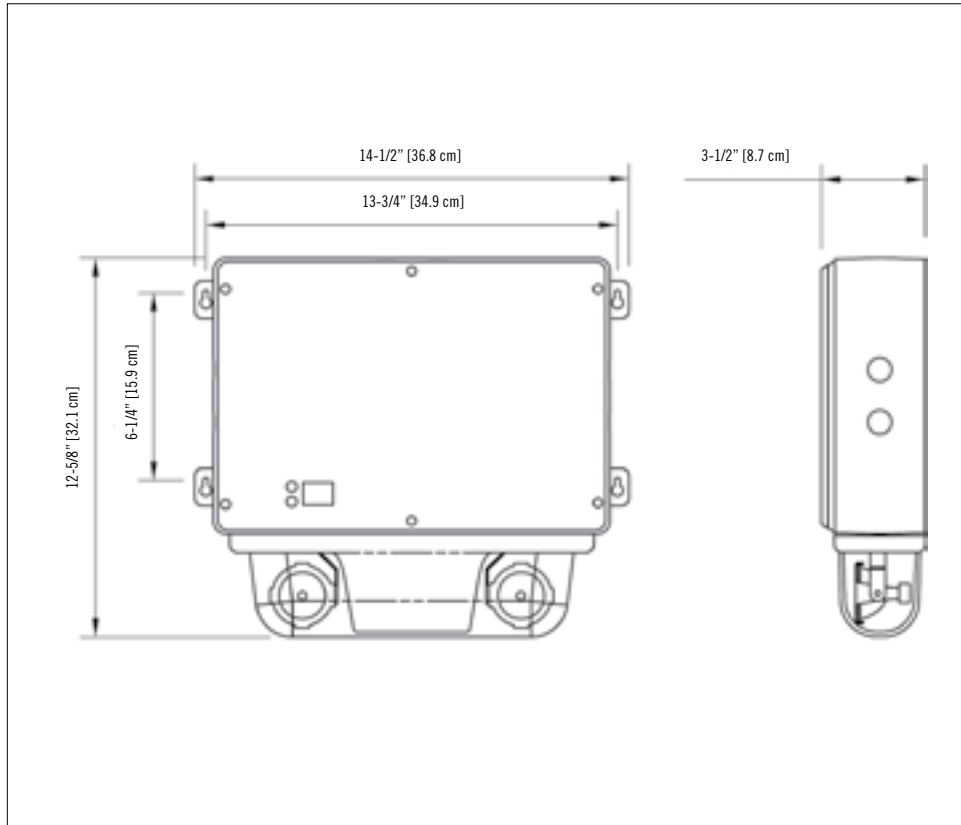


## LDX-HZ SERIES

Battery Unit Hazardous Locations: Class I Div 2, Class II Div 1&2 and Class III

### DIMENSIONS

Dimensions are approximate and subject to change.



### ORDERING INFORMATION

SERIES	CAPACITY	CLASSIFICATION	# OF HEADS	LAMP/WATTAGE	COLOUR	AC VOLTAGE	CHARGER TYPE
LDX6 LDX12	-36= 6V-36W -72= 12V-72W -120= 12V-120W -150= 12V-150W	HZ= classification	2= 2 heads Blank= no heads	LD1= MR16 LED, 6V-4W LD2= MR16 LED, 6V-5W LD7= MR16 LED, 12V-4W LD9= MR16 LED, 12V-5W LD10= MR16 LED, 12V-6W	Blank= grey	Blank= 120/347VAC U2= 277VAC	AD= auto-diagnostics <sup>1</sup> ADN= auto-diagnostics, non-audible <sup>1</sup> NEX= NEXUS® system interface <sup>1</sup> NEXRF= wireless NEXUS® system interface <sup>1</sup>

<sup>1</sup> Minimum lamp load required: 20% of unit capacity  
Not all options available with NEXUS® System. Please consult your sales representative

EXAMPLE: LDX6-36HZ2LD7AD

**new product**



# IPR-LEDN SERIES

IP65 Linear LED Fixture

## FEATURES

- IP65 Rated
  - Polycarbonate lens and thermoplastic enclosure, vandal resistant and UV stabilized
  - Stainless steel hardware
  - Ceiling, surface or pendant mounting
  - Low profile, less than 4 inch deep
  - 0-10V dimming standard on all models
  - 120VAC to 277VAC universal, 347VAC optional
  - Certified for wet and damp locations
  - Expected life of 50 000 hours (L70), CCT 5000K
  - 5 year Limited Warranty
  - Power factor > 0.90
  - ROHS compliant
  - Meets IEEE C.62.41-1991 input transient protection
  - Available integral motion sensor
  - Optional emergency driver
- See warranty details at: [www.tnb.ca/en/brands/ready-lite](http://www.tnb.ca/en/brands/ready-lite)

## TYPICAL SPECIFICATIONS

Supply and install **Ready-Lite® IPR-LEDN Series** linear LED fixtures as specified.

The luminaire shall operate in 120-277VAC or 347VAC and use a high efficiency electronic driver. The lens shall be constructed of UV- stabilized industrial grade vandal-resistant polycarbonate and the enclosure of thermoplastic. A durable formed gasket shall be provided between the enclosure and the lens and shall be designed specifically for hostile environments. A metal plate used to retain the reflector also serves to dissipate heat, therefore lengthening driver life.

The fixture shall have five year warranty.

The fixture shall be **Ready-Lite®** model: \_\_\_\_\_.

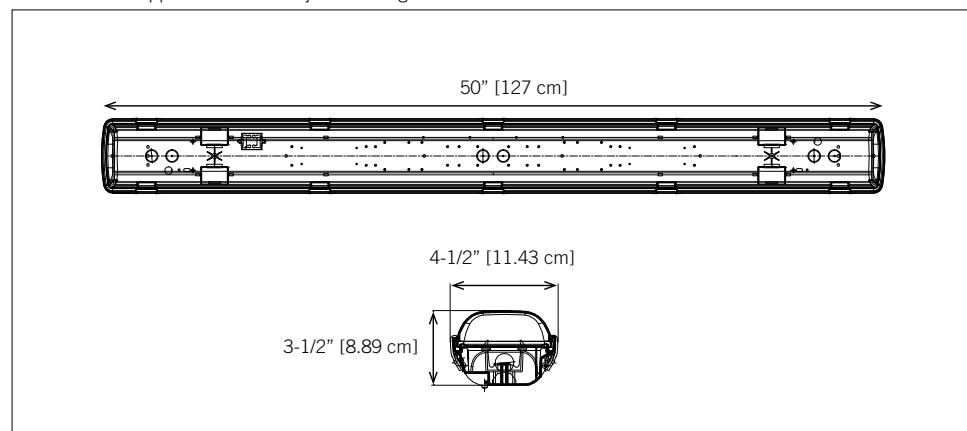
## POWER CONSUMPTION

MODEL	COLOR TEMPERATURE	CRI	LUMENS	WATTS	AC SPECS	POWER FACTOR
IPR-LEDN35	3500K	80	4,244	35W	0.28/0.12A	PF>0.9
IPR-LEDN35	4000K	80	4,550	35W	0.29/0.13A	PF>0.9
IPR-LEDN35	5000K	80	4,585	35W	0.29/0.13A	PF>0.9
IPR-LEDN52	3500K	80	6,469	52W	0.43/ 0.18A	PF>0.9
IPR-LEDN52	4000K	80	6,760	52W	0.43/ 0.19A	PF>0.9
IPR-LEDN52	5000K	80	6,812	52W	0.43/ 0.19A	PF>0.9



## DIMENSIONS

Dimensions are approximate and subject to change.



## ORDERING INFORMATION

SERIES	WATTAGE	COLOR TEMPERATURE	VOLTAGE	OPTIONS
IPR-LEDN	35= 35W 52= 52W	-35= 3500K -4= 4000K -5= 5000K	3= 347VAC Blank= AC only 120-277VAC	EM= emergency LED driver <sup>1</sup> M= motion sensor
				<sup>1</sup> 120 VAC only

EXAMPLE: IPR-LEDN35-4M

# THE BATTERY GLOSSARY

<b>A</b>	Ammeter	Used to measure the current being supplied to the battery while in charge mode.
<b>AD</b>	Auto-Diagnostics, audible	Automatically tests and continuously monitors your emergency lighting unit. If a problem occurs, the unit will send a visual (flashing or blinking LED indicator) and audible warning. Complies with Fire Code requirements.
<b>ADN</b>	Auto-Diagnostics, non-audible	Automatically tests and continuously monitors your emergency lighting unit. If a problem occurs, the unit will send a visual (flashing or blinking LED indicator) warning. Complies with Fire Code requirements.
<b>CPS3</b>	Constant power supply	Supplies continuous 24VDC-3AMP output for exit signs, fire doors, automatic locks, etc.
<b>CT</b>	Cab-tire	Unit supplied with a cab-tire cable used for special hardwire applications.
<b>CW1</b>	Cold weather, 120VAC	120VAC input cold weather protection feature for applications where temperatures can reach -40° C.
<b>CW3</b>	Cold weather, 347VAC	347VAC input cold weather protection feature for applications where temperatures can reach -40° C.
<b>D3</b>	15 minutes time delay	Normally, when the A.C. is restored, all emergency lighting lamps are turned off. However, in some cases such as when metal halide lamps are used, it is possible that the general lighting will not be available for several minutes after the blackout (or brownout) period. Battery units with the D3 option will keep some energy in store to ensure that the emergency lighting stays on or comes back on for at least 15 minutes once the regular A.C. power has been restored.
<b>H</b>	Heater & thermostat	Like a heat blanket, used to keep internal temperature optimal for battery units that are installed in cold environments.
<b>IT</b>	AC terminal block	Used to facilitate the connection of large gauge A.C. input cables.
<b>ITOT</b>	AC/DC Terminal block	Used to facilitate connection of large gauge AC and DC cables.
<b>LB</b>	Light activated test switch	Used to remotely test battery units by pointing a flashlight at a photocell mounted on the bottom of a battery unit.
<b>LC</b>	Line cord (120V)	When ordering a battery unit with the LC option, we supply and pre-install a line cord with a standard 3 prong 120V plug. Just hang the fixture and plug it in to a standard receptacle! Only available on 120V units.
<b>LD</b>	Lamp disconnect	To disconnect the emergency lighting load in an area that is not in use during a prolonged power failure or while the area is no longer being occupied.
<b>NEX</b>	NEXUS® wired system interface	The NEXUS® system interface is a computerized maintenance system for emergency lighting that, once programmed, will perform the tests, keep written records and send notification if anything needs to be fixed. One full system can address hundreds of units in as many buildings as you need from a single location.
<b>NEXRF</b>	NEXUS® wireless system interface	The NEXUS® wireless system interface is a computerized maintenance system for emergency lighting that, once programmed, will perform the tests, keep written records and send notification if anything needs to be fixed. One full system can address hundreds of units in as many buildings as you need from a single location.
<b>OT</b>	DC terminal block	Used to facilitate the connection of large gauge D.C. output cables.
<b>RFI</b>	Radio frequency interference	Protects equipment from external radio frequency interference.
<b>TL</b>	Twistlock plug	Used to facilitate the connection and removal of battery units for maintenance purposes.
<b>TP</b>	Tamper-proof screws	Screws that require a special bit. Can be used on certain units to deny access to unauthorized personnel.
<b>V</b>	Voltmeter	Indicates voltage being supplied to the battery when in charge mode.
<b>ZCP</b>	Voltage sensing relays	Used to detect the loss of lighting in a specific area and activate the emergency lighting.

A modern conference room with a long wooden table and white chairs, viewed through a large window. The room is bright and spacious, with a view of a city skyline. The text "REMOTE FIXTURES" is overlaid on a green banner in the upper left corner.

# REMOTE FIXTURES

 OVERVIEW P. 117	 CADILITE® P. 118-119	 GUARDIAN™ P. 120	 INVISILITE™ P. 121	 INVISILITE™ P. 122	 VQ P. 123
 LEGEND™ P. 124	 LEGEND™ RLR P. 125	 RM P. 126	 RP-BLD P. 127 <span>n</span>	 RCSR P. 128	 RL40M P. 129
 TUF-NM P. 130	 RHPRL P. 131	 NMHZ P. 132	 RHZRL P. 133 <span>n</span>	 RFX LED P. 134 <span>n</span>	

n = new product

# TABLE OF CONTENTS



# REMOTE FIXTURES OVERVIEW

## EMERGENCY LIGHTING HEADS: PERFORMANCE & TECHNOLOGY

Emergency Lighting heads represent a key element of an emergency lighting system performance. During a power failure, these lamp heads must provide adequate lighting levels for safe evacuation. The emergency power supply is provided to the heads from batteries. Equipment manufacturers and customers should use high intensity light sources, with efficient light levels and distributions.

### MR16 LED

Leading the technology trend, we offer a complete series of MR16 LED lamps available for all standard battery voltages: 6V, 12V, 24V and 120V. With up to 30,000 hours of operational life and a luminous flux of typically from 200 up to 590 lumens, they are available with most emergency heads designed to hold an MR16 lamp and meet most illumination specifications. For example, one pair of LED emergency heads installed at a height of 7.5ft, could illuminate a 6th path of egress during an emergency by using 75% less power. This has a direct impact on the battery size, reducing the back-up capacity needs by 75%. Consequently, it also reduces the total cost of application, with the use of smaller battery capacity units, the possibility of using fewer fixtures due to superior illumination, thus also reducing electrical wiring, and it reduces the environmental footprint.

LAMP TYPE	APPLICATION	VOLTAGE (V)	WATTAGE (W)	AVERAGE LIFE (HRS)	LUMEN	EFFICACY (LM/W)
LED	Emergency Lighting	6	4	30,000	199	49.8
	Emergency Lighting	12	4	30,000	220	55.0
	Emergency Lighting	24	4	30,000	220	55.0
	Emergency Lighting	120	5	30,000	204	51.0
	Emergency Lighting	12	6	30,000	340	68.0
	Emergency Lighting	12	6	30,000	540	90.0
	Emergency Lighting	24	6	30,000	590	98.3



## CADILITE® SERIES

Rugged, Versatile, Sophisticated

### FEATURES

- Four-LED light engine with redundant connections
- Powder-coated Die-Cast aluminum construction
- Clear Polycarbonate lens allows for maximum lumen output
- Surface Wall Mount
- Certified to the CSA 22.2 No.141
- NEMA-3R Damp and Wet locations
- Operating temperature -40°C to + 50°C

### OPTIONS

- Forward-throw light distribution
  - Dual-mode: normal and emergency LED lighting
  - High-lumen output
  - Photo-switch: dusk-to-dawn control of normal lighting
  - Infrared remote control (normal lighting)
- See warranty details at: [www.tnb.ca/en/brands/ready-lite](http://www.tnb.ca/en/brands/ready-lite)

**TABLE A: SPACING FOR AVERAGE 1FC**

MODEL TYPE	MOUNTING HEIGHT	WATTAGE CAPACITY	
		SINGLE	CENTRE-TO-CENTRE
standard	9'	6' X 50'	6' X 50'
with option -H	11'	6' X 60'	6' X 60' 3' X 70'
with option -FT	12'	6' X 40'	-
with option -FTH	15'	6' X 50'	-

Indoor reflectance: 80/50/20 and 10-ft wide corridor.  
Outdoor reflectance: 0/30/10

Note: The illumination level meets ALL the requirements of the National Building Code-Canada and the Life Safety Code (NFPA 101):

- 1) Average of 1 foot-candle (10.7 lux) or more
- 2) Minimum at any point of 0.1 foot-candle (1.07 lux) or more
- 3) Maximum-to-minimum illumination uniformity ratio of 40:1 or less

### POWER CONSUMPTION

MODEL TYPE	AC SPECS: 120/347VAC				6-12VDC REMOTE
	NORMAL LIGHTING		EMERGENCY LIGHTING		
	CURRENT (MAX)	POWER (MAX)	CURRENT (MAX)	POWER (MAX)	POWER (MAX)
AC, ACDC, DC	0.12/0.05 A	12W	0.12/0.05 A	12W	8W
AC, ACDC, DC -H	0.18/0.07 A	18W	0.18/0.07 A	18W	14W
2AC (120VAC only)	0.12 A	12W	0.12 A	12W	-
2AC-H (120VAC only)	0.18 A	18W	0.18 A	18W	-

\*Note: Only unswitched AC input, normal lighting with photo-switch or remote control.

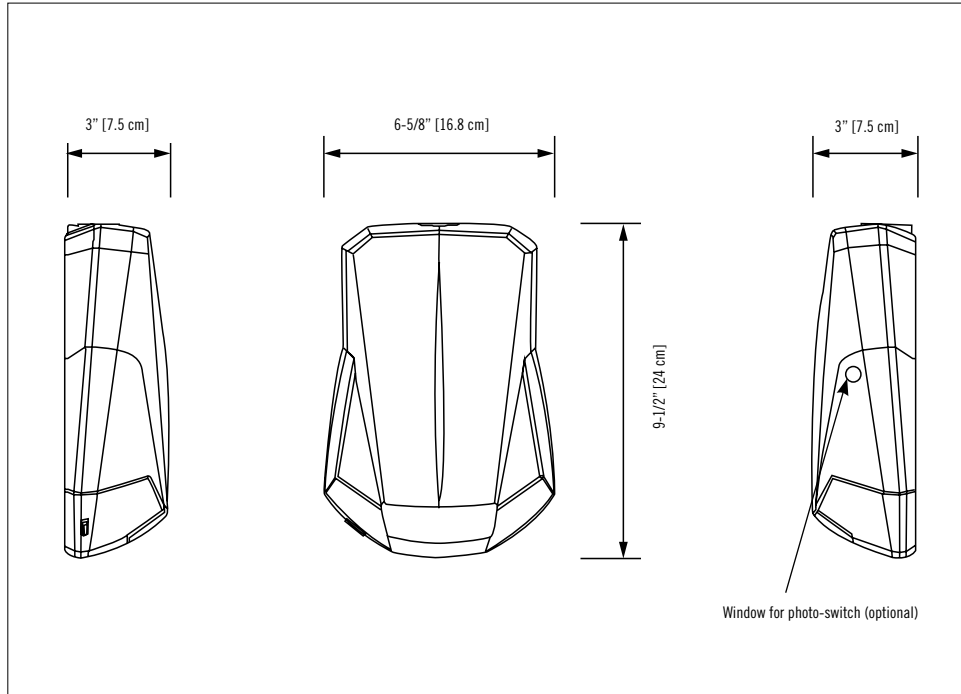
### CADILITE® FAMILY



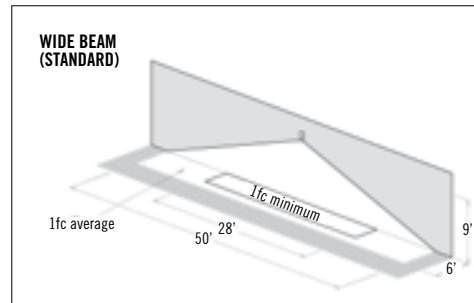
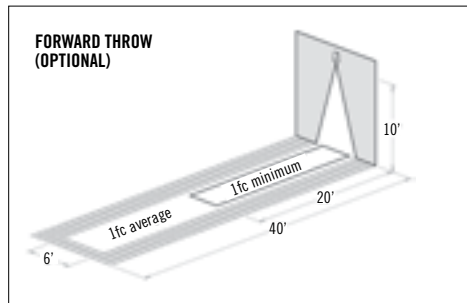


## DIMENSIONS

Dimensions are approximate and subject to change.



**CADILITE® SERIES**  
Rugged, Versatile, Sophisticated



## ORDERING INFORMATION

SERIES	FUNCTION: REMOTE FIXTURES (-40... +50 °C)	COLOUR	OPTIONS
<b>CAD</b> = cadilite® LED	<b>2AC</b> = AC-only two circuits: 120/120 or 277/277V <b>AC</b> = AC-only 120/347VAC <b>ACDC</b> = AC/6-12VDC remote <b>DC</b> = 6-12VDC remote fixture	<b>BK</b> = black <b>DB</b> = dark bronze <b>OW</b> = off-white <b>PG</b> = platinum grey	<b>-FT</b> = forward throw lighting <b>-H</b> = high lumen output (-40...30°C) <b>-P</b> = photo-switch, normal lighting (models AC, ACDC only) <b>-RC</b> = remote control - infrared (models AC, ACDC only) <sup>1</sup> <b>-U2</b> = 277VAC 60Hz input

<sup>1</sup> **TB-RC1-R**= remote control keypad (sold separately)

EXAMPLE: CADACDCBK-FT



# GUARDIAN™ SERIES

NEMA-3R  
Wall Mounted, Remote Head



## TYPICAL SPECIFICATIONS

Wall mount unit shall be gasketed Die-Cast aluminum housing, impact resistant polycarbonate diffuser. The lamps shall be adjustable for aisle or area distribution. Fixture shall be supplied with gasket and shall be suitable for installation on any four inch octagonal box.

The remote unit shall be **Ready-Lite®** model: \_\_\_\_\_.

## WIRE GUARDS

460.0082-RL	wall mount
-------------	------------

## REPLACEMENT LAMPS

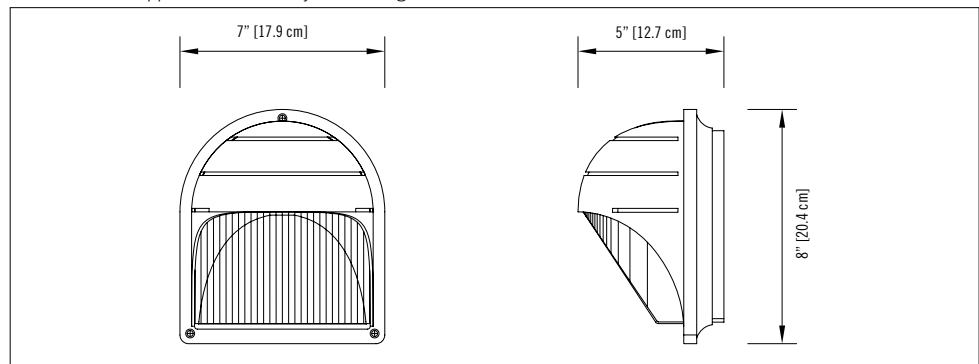
MODEL	LAMP TYPE	VOLTAGE/WATTAGE
580.0097-RL	MR16, LED	6V-4W
580.0122-RL	MR16, LED	6V-5W
580.0093-RL	MR16, LED	12V-4W
580.0104-RL	MR16, LED	12V-5W
580.0106-RL	MR16, LED	12V-6W
580.0098-RL	MR16, LED	24V-4W
580.0100-RL	MR16, LED	24V-6W

## FEATURES

- Outdoor/Indoor installation
- Compact wall sconce unit for indoor and outdoor use
- High impact resistant polycarbonate diffuser
- Adjustable lamps
- Die-Cast aluminum housing
- Vandal resistant option
- CSA Certified to C22.2 No.141-15

## DIMENSIONS

Dimensions are approximate and subject to change.



## ORDERING INFORMATION

SERIES	LAMP TYPE	VOLTAGE/ WATTAGE	COLOUR	OPTIONS
GUA= exterior remote	M= MR16	<b>Blank</b> = no lamps <b>-LD1</b> = 2X MR16 LED, 6V-4W <b>-LD2</b> = 2X MR16 LED, 6V-5W <b>-LD7</b> = 2X MR16 LED, 12V-4W <b>-LD9</b> = 2X MR16 LED, 12V-5W <b>-LD10</b> = 2X MR16 LED, 12V-6W <b>-LD13</b> = 2X MR16 LED, 24V-4W <b>-LD14</b> = 2X MR16 LED, 24V-6W <b>-LD26</b> = 2x MR16 LED, 120V-4W	<b>BK</b> = black <b>Blank</b> = factory white <b>DG</b> = dark grey	<b>C</b> = clear lens <b>VR</b> = vandal resistant screws <sup>1</sup>  <sup>1</sup> 990.0119-RL= tamper-proof bit (sold separately)

EXAMPLE: GUA-LD10BK



## TYPICAL SPECIFICATIONS

Supply and install **Ready-Lite® Invisilite™ Series** of remote fixture: The unit shall be designed to be concealed in walls or ceilings with a cavity. The unit equipment shall be completely concealed in the wall or ceiling in the absence of remote power. Upon DC power supply the unit will rotate its door by 180° to expose the emergency lamps, and power them. After the DC power disconnect the lamps will turn off and the unit will conceal the heads by rotating the door by 180°. The DC-remote unit shall not require the presence of AC power in order to open or close the door. Under normal conditions, the only visible parts of the unit shall be the off-white flat door and trim plate that can be customized on site with paint or other suitable wall covering. The light source shall be LED lamps of specified wattage and light output.

The remote unit shall be the **Ready-Lite®** model: \_\_\_\_\_.

## WIRE GUARDS

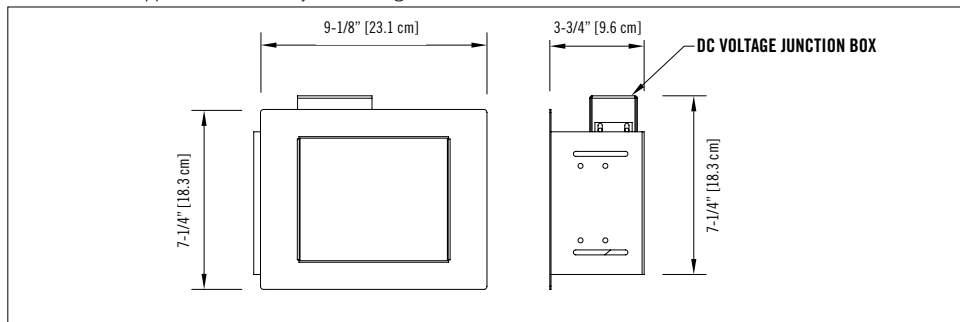
460.0082-RL	wall mount
-------------	------------

## REPLACEMENT LAMPS: MR16

MODEL	LAMP TYPE	VOLTAGE/WATTAGE
580.0093-RL	MR16, LED	12V-4W
580.0100-RL	MR16, LED	12V-6W
580.0104-RL	MR16, LED	12V-5W
580.0106-RL	MR16, LED	12V-6W
580.0098-RL	MR16, LED	24V-4W

## DIMENSIONS

Dimensions are approximate and subject to change.



## INVISILITE™ SERIES

Remote Fixture

## FEATURES

- Remote only visible upon power failure
- Front can be painted or wallpapered on-site to match existing decor
- Fully automatic operation: The unit door opens upon supply with DC voltage from battery and closes after voltage disconnect
- Time delay option required on battery unit to properly close the door
- AC line voltage not required
- Emergency lights: Two high efficacy LED lamps
- Certification: CSA C22.2 No.141

See warranty details at: [www.tnb.ca/en/brands/ready-lite](http://www.tnb.ca/en/brands/ready-lite)

## ORDERING INFORMATION

SERIES	REMOTE VOLTAGE	LAMP WATTAGE	OPTIONS
<b>HIDR</b> = DC remote fixture (no AC voltage required)	<b>12</b> = 12VDC remote <sup>1</sup> <b>24</b> = 24VDC remote <sup>2</sup>	<b>/LD7</b> = 2X MR16 LED, 12V-4W <b>/LD9</b> = 2X MR16 LED, 12V-5W <b>/LD10</b> = 2X MR16 LED, 12V-6W <b>/LD13</b> = 2X MR16 LED, 24V-4W <b>/LD14</b> = 2X MR16 LED, 24V-6W	<b>TB</b> = T-Bar mounting kit

<sup>1</sup> The remote fixture is compatible with all Invisilite™ battery units  
<sup>2</sup> 12V-24V battery unit must include the time delay function and exclude diagnostic to close door: consult factory for details.

EXAMPLE: HIDR12/LD7



## TYPICAL SPECIFICATIONS

Supply and install **Ready-Lite® Mini Invislite™ Series**. The unit shall be designed to be completely concealed in walls with a cavity. The equipment shall consist of a metal housing containing two modules joined by a flexible bracket and electric conduit. One module contains the power transformer and electrical connection box; the other module contains the emergency lights installed on the back of a door able to rotate several turns of 360°. The unit equipment shall be completely concealed in the wall, after the installation through a rectangular opening not larger than 8.25" by 5.75".

In stand-by mode, the only visible parts of the unit shall be the off-white flat door and trim plate that can be customized on site with paint or other suitable wall covering. Upon AC power supply the unit will expose the emergency heads by rotating its door 180° and then will power the lamps. At the end of the AC power, the lamps will turn off and the unit will retract the heads by rotating the door 180° in the same direction.

The unit shall not require the presence of AC power in order to close the door and conceal the lights. The door of the unit shall be easy to force-turn (open or close) by hand. The light source shall be 12V MR16 LED lamps of specified wattage and light output.

The remote unit shall be the **Ready-Lite®** model: \_\_\_\_\_

## REPLACEMENT LAMPS

MODEL	TYPE	VOLTAGE/WATTAGE
580.0093-RL	MR16, LED	12V-4W
580.0104-RL	MR16, LED	12V-5W
580.0106-RL	MR16, LED	12V-6W

## FEATURES

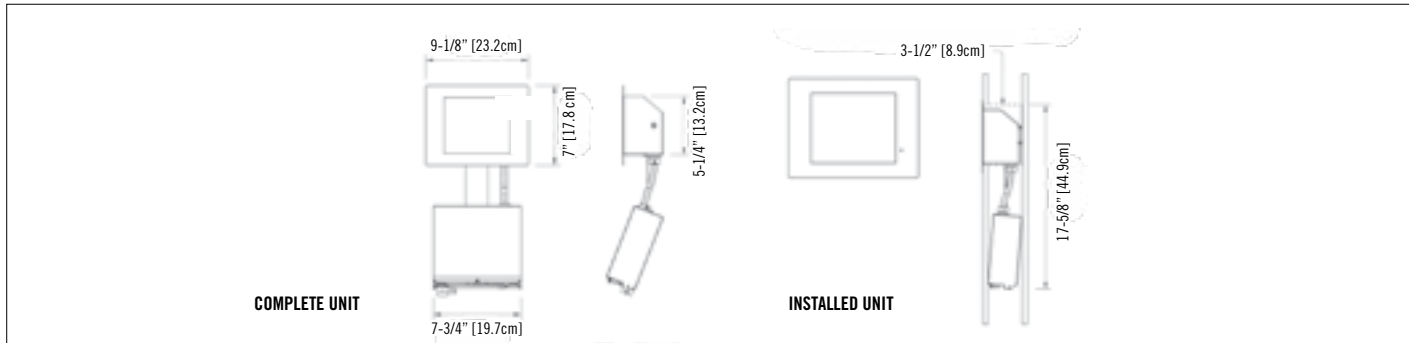
- Easy to retrofit in finished walls: the unit slides in through an 8.25" by 5.75" hole
- No back-box needed to pre-install
- Output: 12VDC with up to 100W of power
- Direct connection to 120, 277 or 347VAC power generators
- Emergency lights: MR16 LED lamps
- Certification: CSA C22.2 No.141-15

## POWER CONSUMPTION AND UNIT RATING

MODEL	AC SPECS		WATTAGE CAPACITY			
			30MIN	1H00	2H00	3H00
MHG1	120VAC	max. 0.95 A	maximum 100W load			
MHG2	277VAC	max. 0.45 A	maximum 100W load			
MHG3	347VAC	max. 0.35 A	maximum 100W load			

## DIMENSIONS

Dimensions are approximate and subject to change.



## ORDERING INFORMATION

SERIES	UNIT CAPACITY	LAMP WATTAGE	AC VOLTAGE
MH	6= remote AC generator, maximum 100W	/LD7= 2X MR16 LED, 12V-4W /LD9= 2X MR16 LED, 12V-5W /LD10= 2X MR16 LED, 12V-6W	Blank= 120VAC 2= 277VAC 3= 347VAC

EXAMPLE: MHG/LD7



## TYPICAL SPECIFICATIONS

Remote heads **VQ Series** shall be comprised of one (single) or two (double or twin) 12W adjustable heads with LED lamps. Each lamp shall be housed in an impact-resistant polycarbonate cube. The cube lens shall be frosted to diffuse the light. Heads shall provide mounting holes for installation on a standard octagonal box. The remote unit shall be the **Ready-Lite®** model: \_\_\_\_\_.

## WIRE GUARDS

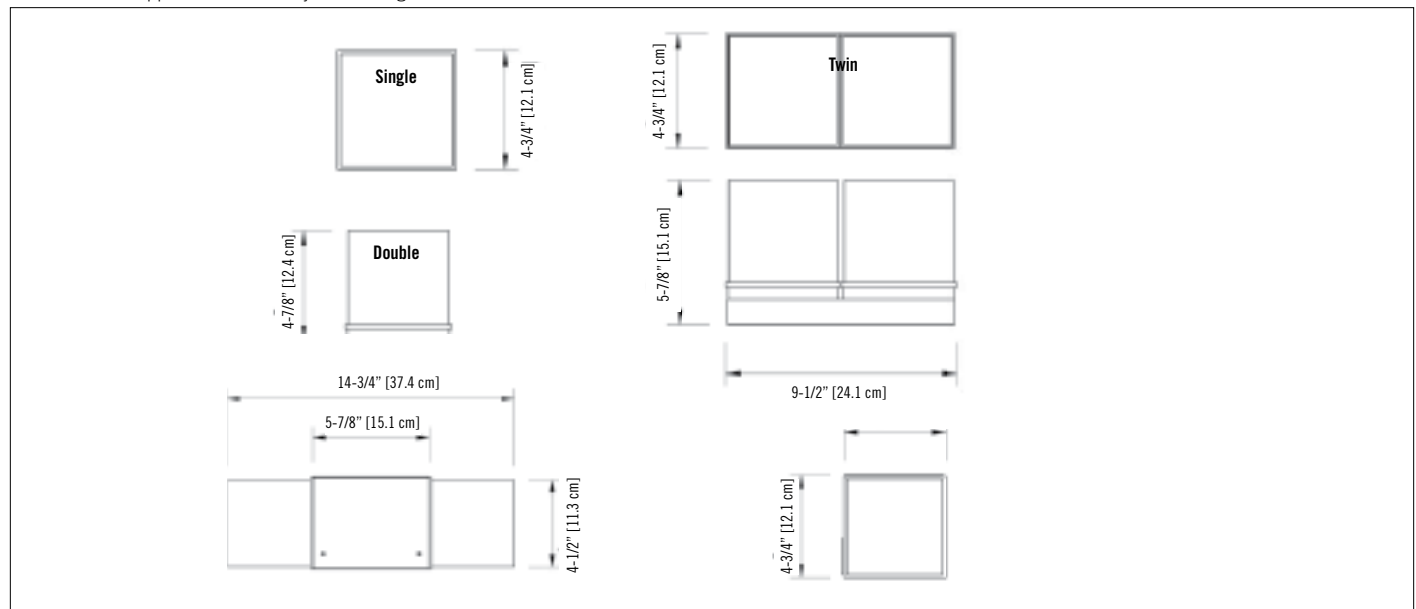
460.0082-RL	wall mount
-------------	------------

## REPLACEMENT LAMPS

MODEL	LAMP TYPE	VOLTAGE/WATTAGE
580.0097-RL	MR16, LED	6V-4W
580.0122-RL	MR16, LED	6V-5W
580.0093-RL	MR16, LED	12V-4W
580.0104-RL	MR16, LED	12V-5W
580.0106-RL	MR16, LED	12V-6W
580.0098-RL	MR16, LED	24V-4W
580.0100-RL	MR16, LED	24V-6W

## DIMENSIONS

Dimensions are approximate and subject to change.



## ORDERING INFORMATION

SERIES	LAMP STYLE	# OF HEADS	LAMP STYLE/WATTAGE	OPTIONS	COLOUR
V= series	M= MR16	1= single cube 2= twin cube W= double cube	-LD1= MR16 LED, 6V-4W -LD2= MR16 LED, 6V-5W -LD7= MR16 LED, 12V-4W -LD9= MR16 LED, 12V-5W -LD10= MR16 LED, 12V-6W -LD13= MR16 LED, 24V-4W -LD14= MR16 LED, 24V-6W -LD26= MR16 LED, 120V-4W	Blank= no options TP= tamper-proof screws <sup>1</sup>	BK= black Blank= factory white
				<sup>1</sup> 690.0454-RL= tamper-proof bit (sold separately)	

EXAMPLE: VM1-LD13



## VQ SERIES

Surface Mount, Remote Fixture

## FEATURES

- Cubic, vandal-resistant surface-mounted fixture
  - Single, twin or double cube with center body
  - Frosted polycarbonate cube
  - CSA certified to C22.2 No.141-15
- See warranty details at: [www.tnb.ca/en/brands/ready-lite](http://www.tnb.ca/en/brands/ready-lite)



# LEGEND™ SERIES

Surface Designer Series



## TYPICAL SPECIFICATIONS

The contractor will supply and install **Ready-Lite® Legend™ Series** remote heads. These remote heads will consist of either single, double or triple head configurations according to the design. Remote heads will be constructed of durable powder coated, Die-Cast aluminum and use LED light sources.

The remote fixtures shall be certified to CSA C22.2 No.250.

The unit shall be **Ready-Lite®** model: \_\_\_\_\_.

## WIRE GUARDS

460.0029-RL	wall mount single remote
460.0032-RI	wall mount double remote
460.0078-RL	wall mount triple remote

## FEATURES

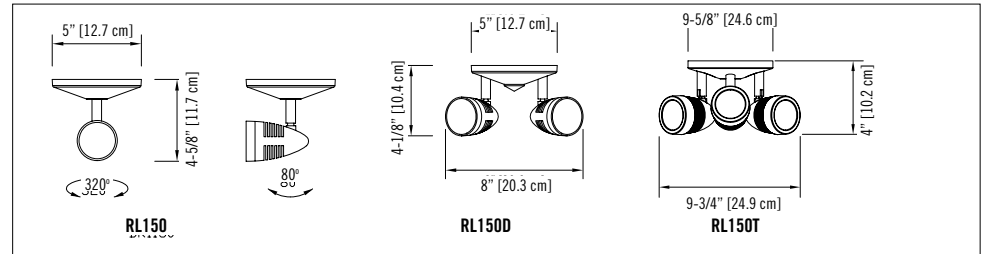
- Contemporary, enduring design
  - Available in 1, 2 or 3 head configurations
  - Highly resistant powder-coated, Die-Cast aluminum construction
  - LED lamps: 4W, 5W and 6W
  - CSA certified to C22.2 No.141-15
- See warranty details at: [www.tnb.ca/en/brands/ready-lite](http://www.tnb.ca/en/brands/ready-lite)

## REPLACEMENT LAMPS

MODEL	LAMP TYPE	VOLTAGE-WATTAGE
580.0097-RL	MR16, LED	6V-4W
580.0122-RL	MR16, LED	6V-5W
580.0093-RL	MR16, LED	12V-4W
580.0104-RL	MR16, LED	12V-5W
580.0106-RL	MR16, LED	12V-6W
580.0098-RL	MR16, LED	24V-4W
580.0100-RL	MR16, LED	24V-6W
580.0113-RL	MR16, LED	120V-4W

## DIMENSIONS

Dimensions are approximate and subject to change.



## ORDERING INFORMATION

SERIES	# OF HEADS	COLOUR	LAMP TYPE/VOLTAGE/WATTAGE
RL150= closed	Blank= one head D= two heads T= three heads	-B= black Blank= white	-LD1= MR16 LED, 6V-4W -LD2= MR16 LED, 6V-5W -LD7= MR16 LED, 12V-4W -LD9= MR16 LED, 12V-5W -LD10= MR16 LED, 12V-6W -LD13= MR16 LED, 24V-4W -LD14= MR16 LED, 24V-6W -LD26= MR16 LED, 120V-4W

EXAMPLE: RL150-LD9



## TYPICAL SPECIFICATIONS

The contractor will supply and install **Ready-Lite® RLR Legend™ Collection** recessed heads and housing. Recessed heads will be constructed of durable powder coated metal and use LED lamps. The light source will be \_\_\_\_\_ V, \_\_\_\_\_ W LED lamps.

The remote unit shall be **Ready-Lite®** model: \_\_\_\_\_, housing shall be **Ready-Lite®** model: \_\_\_\_\_.

## REPLACEMENT LAMPS

MODEL	LAMP TYPE	VOLTAGE/WATTAGE
580.0097-RL	MR16, LED	6V-4W
580.0122-RL	MR16, LED	6V-5W
580.0093-RL	MR16, LED	12V-4W
580.0104-RL	MR16, LED	12V-5W
580.0106-RL	MR16, LED	12V-6W
580.0098-RL	MR16, LED	24V-4W
580.0100-RL	MR16, LED	24V-6W

See Guardian list of lamps

## HOUSING

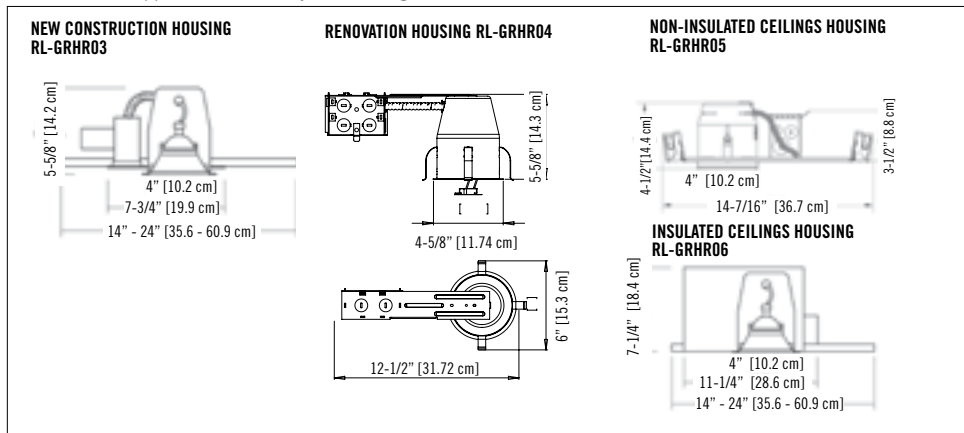
RL-GRHR03	non-insulated ceiling 6-24V	new construction
RL-GRHR04	non-insulated ceiling 6-24V	renovation
RL-GRHR05	non-insulated ceiling 120V GU10	new construction
RL-GRHR06	insulating ceiling 6-24V	new construction

## MR16 LED COMPATIBILITY CHART

HEAD STYLE	6V-4W	12V-4W	24V-4W	12V-5W	12V-6W
RLR8R	x	x	x	x	x
RLR9	x	x	x	x	x

## DIMENSIONS

Dimensions are approximate and subject to change.



## ORDERING INFORMATION

SERIES	HEAD STYLE	COLOUR	VOLTAGE / WATTAGE	OPTIONS
<b>RLR</b> = decorative recessed remote	<b>8R</b> = concave (tilting round rear load) <b>9</b> = concave (egress/ regress)	<b>BK</b> = black (8R & 9 series only) <b>BN</b> = brushed nickel (8R & 2 series only) <b>WH</b> = white	<b>LD1</b> = MR16 LED, 6V-4W <b>LD2</b> = MR16 LED, 6V-5W <b>LD7</b> = MR16 LED, 12V-4W <b>LD9</b> = MR16 LED, 12V-5W <b>LD10</b> = MR16 LED, 12V-6W <b>LD13</b> = MR16 LED, 24V-4W <b>LD14</b> = MR16 LED, 24V-6W <b>LD25</b> = MR16 LED, 120V-4W	<b>PM</b> = complete with pendant mount backbox <sup>1</sup>  <sup>1</sup> pendant kit sold separately

EXAMPLE: RLR8RBKLD1



# RLR LEGEND™ SERIES

Recessed Designer Series

## FEATURES

- Contemporary, enduring designs
- 4W, 5W, 6W lamps
- LED light source
- Will blend in with regular decorative recessed fixtures
- Choice of housing for new construction or insulated ceiling
- RLR8R is made of powder coated or electro-plate steel
- RLR9 and RLR2 are made of Die-Cast aluminum

See warranty details at: [www.tnb.ca/en/brands/ready-lite](http://www.tnb.ca/en/brands/ready-lite)



RLR8R



RLR9



## TYPICAL SPECIFICATIONS

Lamp head and stem shall be injection molded, impact resistant, flame retardant thermoplastic and shall require no tool for aiming or adjustment. The lens shall be inverse concave design and fully adjustable for aisle or area distribution during installation without the need to energize the lamp. Visual identification of distribution shall be provided through position of adjustment pins.

Fixture shall be supplied with a canopy for installation on any four inch octagon box. Housing shall be designed to allow for lamp replacement if required.

The remote unit shall be the **Ready-Lite®** model: \_\_\_\_\_.

## WIRE GUARDS

460.0029-RL	wall mount or ceiling mount
-------------	-----------------------------

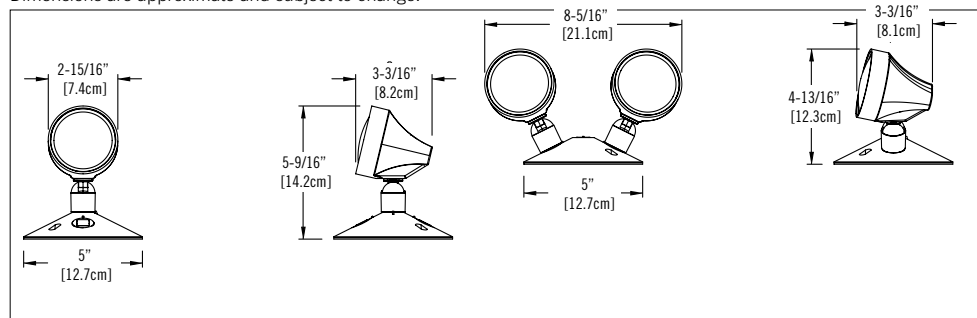
## REPLACEMENT LAMPS

MODEL	LAMP TYPE	VOLTAGE/WATTAGE
580.0097-RL	MR16, LED	6V-4W
580.0122-RL	MR16, LED	6V-5W
580.0093-RL	MR16, LED	12V-4W
580.0104-RL	MR16, LED	12V-5W
580.0106-RL	MR16, LED	12V-6W
580.0098-RL	MR16, LED	24V-4W
580.0100-RL	MR16, LED	24V-6W

See Guardian list of lamps

## DIMENSIONS

Dimensions are approximate and subject to change.



## FEATURES

- Fire-retardant thermoplastic
  - 300° rotation
  - CSA certified to C22.2 No.141-15
  - 6, 12 and 24V with various wattages
- See warranty details at: [www.tnb.ca/en/brands/ready-lite](http://www.tnb.ca/en/brands/ready-lite)

## ORDERING INFORMATION

SERIES	NUMBER OF LAMPS	VOLTAGE/WATTAGE	COLOUR
RM= MR16 LED	1= single head 2= double head 3= triple head	-LD1= MR16 LED, 6V-4W -LD2= MR16 LED, 6V-5W -LD7= MR16 LED, 12V-4W -LD9= MR16 LED, 12V-5W -LD10= MR16 LED, 12V-6W -LD13= MR16 LED, 24V-4W -LD14= MR16 LED, 24V-6W	BK= black Blank= factory white

EXAMPLE: RM1-LD1





# RP-BLD SERIES

“Built-in” micro LED  
lamps remote fixture

## TYPICAL SPECIFICATIONS

Lamp head and stem shall be injection molded, impact resistant, flame retardant thermoplastic.

Fixture shall be supplied with a canopy for installation on any four inch octagon box.

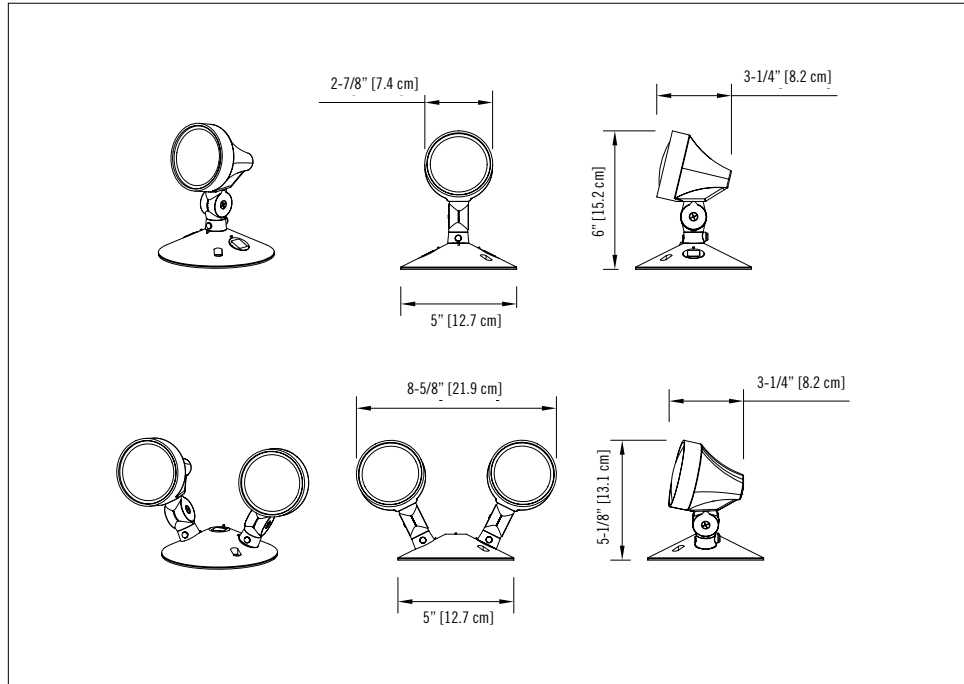
The remote unit shall be the **Ready-Lite®** model: \_\_\_\_\_

## WIRE GUARDS

460.0029-RL	wall mount or ceiling mount
-------------	-----------------------------

## DIMENSIONS

Dimensions are approximate and subject to change.



## FEATURES

- 6 to 12V, 3W LED each head
  - Fire-retardant thermoplastic
  - 300° rotation
  - CSA certified to C22.2 No.141-15
- See warranty details at: [www.tnb.ca/en/brands/ready-lite](http://www.tnb.ca/en/brands/ready-lite)

## ORDERING INFORMATION

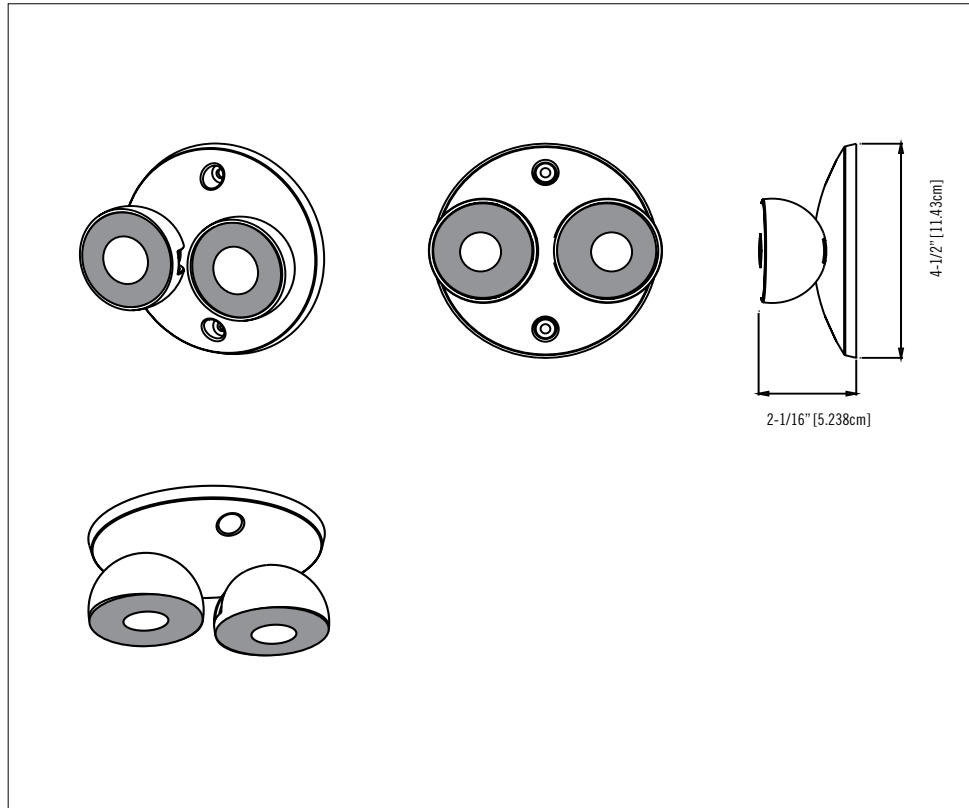
SERIES	NUMBER OF HEADS	LAMP VOLTAGE
RP= Plastic built-in LED	1= Single head 2= Double heads	BLD= Plastic built-in LED, 6V / 12V, 3W each

EXAMPLE: RP1BLD



## DIMENSIONS

Dimensions are approximate and subject to change.



\*NOTE: The RCS Family cannot be combined with other Ready-Lite® Products on the same emergency A.C. circuit.

## RSC FAMILY



## FEATURES

- Fully adjustable LED glare-free lens
- 3.6V 1W long life LED light source, 6000K
- Injection-molded off-white thermoplastic ABS housing
- Ceiling or wall mount installation
- To mount to any standard 4" junction box
- To be used only with RCSB battery unit
- Comes standard with one (1) year warranty

## ORDERING INFORMATION

SERIES	NUMBER OF HEADS	LAMP TYPE/WATTAGE	COLOR
RCSR	D= 2	Blank= 1W LED	Blank= white

EXAMPLE: RCSR D



## TYPICAL SPECIFICATIONS

Supply and install **Ready-Lite® RL40M Series** remote emergency lighting. These remote fixtures will consist of either single or double lamp configurations as specified and include a UV resistant fire retardant polycarbonate back plate and a clear heavy-duty UV resistant polycarbonate light cover. The remote fixture shall be certified to CSA C22.2 No.141-15. The head(s) shall be fully adjustable and be equipped with high efficiency LED lamp(s) of \_\_\_\_ V, \_\_\_\_ W.

The remote unit shall be **Ready-Lite®** model: \_\_\_\_\_.

## WIRE GUARDS

460.0029-RL	wall mount
-------------	------------

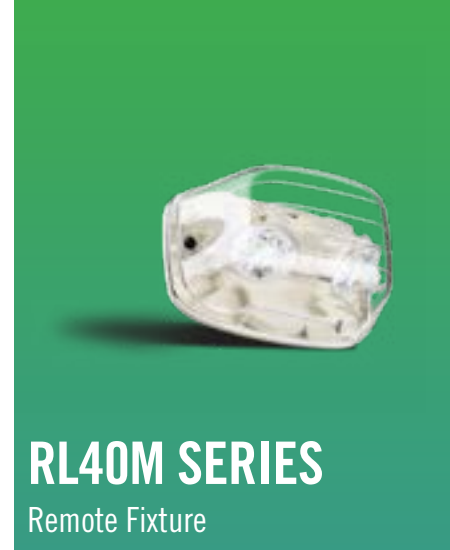
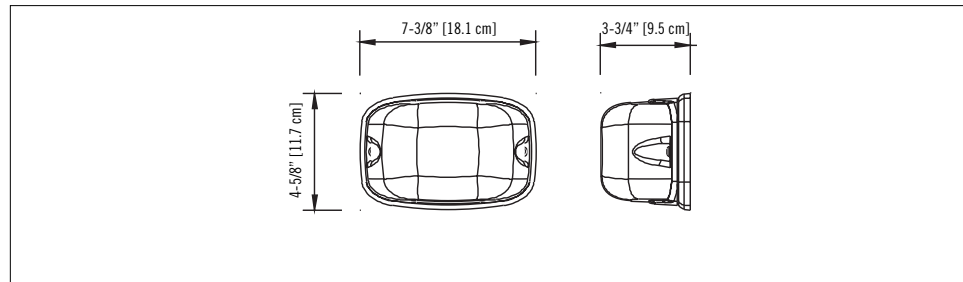
## REPLACEMENT LAMPS

MODEL	LAMP TYPE	VOLTAGE/WATTAGE
580.0097-RL	MR16, LED	6V-4W
580.0122-RL	MR16, LED	6V-5W
580.0093-RL	MR16, LED	12V-4W
580.0104-RL	MR16, LED	12V-5W
580.0106-RL	MR16, LED	12V-6W
580.0098-RL	MR16, LED	24V-4W
580.0100-RL	MR16, LED	24V-6W

See Guardian list of lamps

## DIMENSIONS

Dimensions are approximate and subject to change.



# RL40M SERIES

Remote Fixture

## FEATURES

- Quality illumination requires fewer fixtures
- Clear polycarbonate UV and impact resistant lens with optional tamper-proof screws to prevent tampering
- Easy lamp replacement
- CSA certified to C22.2 No.141-15
- Modern design will blend into surroundings
- Selection of Die-Cast or polycarbonate back plate
- For indoor use only

See warranty details at: [www.tnb.ca/en/brands/ready-lite](http://www.tnb.ca/en/brands/ready-lite)

## ORDERING INFORMATION: RL40MP

SERIES	NUMBER OF LAMPS	LAMP TYPE/VOLTAGE/WATTAGE	COLOUR	OPTIONS
RL40MP= polycarbonate back plate	1= one lamp 2= two lamps	-LD1= MR16 LED, 6V-4W -LD2= MR16 LED, 6V-5W -LD7= MR16 LED, 12V-4W -LD9= MR16 LED, 12V-5W -LD10= MR16 LED, 12V-6W -LD13= MR16 LED, 24V-4W	BK= black Blank= factory white GY= grey  Other colours available.	Blank= no options T= tamper-proof screws <sup>1</sup>  <sup>1</sup> 690.0454-RL= tamper-proof bit (sold separately)

EXAMPLE: RL40MP1-LD7

## ORDERING INFORMATION: RL40M

SERIES	NUMBER OF LAMPS	LAMP TYPE/VOLTAGE/WATTAGE	COLOUR	OPTIONS
RL40M= die-cast	1= one lamp 2= two lamps	-LD1= MR16 LED, 6V-4W -LD2= MR16 LED, 6V-5W -LD7= MR16 LED, 12V-4W -LD9= MR16 LED, 12V-5W -LD10= MR16 LED, 12V-6W -LD13= MR16 LED, 24V-4W -LD14= MR16 LED, 24V-6W -LD26= MR16 LED, 120V-4W	BK= black Blank= factory white GY= grey  Other colours available.	Blank= no options T= tamper-proof screws <sup>1</sup>  <sup>1</sup> 690.0454-RL= tamper-proof bit (sold separately)

EXAMPLE: RL40M1-LD10



# TUF-NM SERIES

NEMA-4X certified remote fixture

**new product**



## TYPICAL SPECIFICATIONS

Supply and install **Ready-Lite® TUF-NM Series** remote emergency lighting fixtures. These remote fixtures will consist of either single or double lamp configurations according to the design. These fixtures shall be fully gasketed with a UV resistant and fire retardant polycarbonate back plate with a clear heavy-duty UV resistant polycarbonate lens. The unit shall be equipped with two emergency heads with tool-less adjustable swivels. Units shall be NEMA-4X and NSF certified and specifically designed for high abuse areas, wet and cold weather locations, food processing plants, as well in applications requiring a resistance to corrosive agents. The standard unit will come with stainless steel tamper-proof screws and bit. The remote fixture shall be certified to CSA C22.2 No.141-15. The head(s) shall be fully adjustable without tools and should be equipped with LED lamp(s) of \_\_\_\_\_ V \_\_\_\_\_W.

The remote unit shall be the **Ready-Lite®** model: \_\_\_\_\_

### NEMA-4X AND NSF CERTIFIED FAMILY



## WIRE GUARDS

460.0029-RL	wall mount or ceiling mount
-------------	-----------------------------

## REPLACEMENT LAMPS: MR16 TUF-NMMP

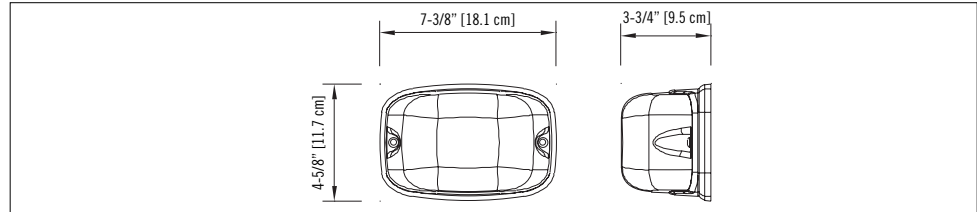
ORDERING CODE	LAMP TYPE	VOLTAGE
580.0097-RL	MR16, LED	6V-4W
580.0093-RL	MR16, LED	12V-4W
580.0104-RL	MR16, LED	12V-5W
580.0106-RL	MR16, LED	12V-6W
580.0098-RL	MR16, LED	24V-4W

## REPLACEMENT LAMPS: MR16 TUF-NMM

ORDERING CODE	LAMP TYPE	VOLTAGE
580.0100-RL	MR16 LED	24V-6W
580.0113-RL	MR16, LED	120V-4W

## DIMENSIONS

Dimensions are approximate and subject to change.



## FEATURES

- Fully gasketed with a selection of cast aluminum or polycarbonate back plate
- Clear polycarbonate UV and impact resistant lens
- Choice of single or double lamp models
- Available in 6, 12 and 24V models LED
- Easy lamp replacement
- Comes standard with tamper-proof screws and bit
- NSF Certified for food processing plants
- NEMA-4X Certified\*
- CSA Certified to C22.2 No.141-15
- Suitable for indoor/outdoor installation

\*For NMMP, units are NEMA-4X Certified when installed using a circular NEMA-4X rated junction box (sold separately by ABB under P/N CE365D-CAR or CE365DW-CAR and with plugs P/N P7701W-CAR).

## ORDERING INFORMATION: TUF-NMMP

SERIES	NUMBER OF LAMPS	LAMP TYPE/VOLTAGE/WATTAGE	COLOUR	OPTIONS
<b>NMMP</b> = polycarbonate NEMA-4X back plate	1= one lamp 2= two lamps	-LD1= MR16 LED, 6V-4W -LD2= MR16 LED, 6V-5W -LD7= MR16 LED, 12V-4W -LD9= MR16 LED, 12V-5W -LD10= MR16 LED, 12V-6W -LD13= MR16 LED, 24V-4W	<b>BK</b> = black <b>Blank</b> = factory white <b>GY</b> = grey	- <b>SM</b> = surface mount <sup>1</sup>  <sup>1</sup> Surface plastic junction box included.

EXAMPLE: NMMP1-LD10

## ORDERING INFORMATION: TUF-NMM

SERIES	NUMBER OF LAMPS	LAMP TYPE/VOLTAGE/WATTAGE	COLOUR
<b>NMM</b> = die-cast NEMA-4X back plate	1= one lamp 2= two lamps	-LD1= MR16 LED, 6V-4W -LD2= MR16 LED, 6V-5W -LD7= MR16 LED, 12V-4W -LD9= MR16 LED, 12V-5W -LD10= MR16 LED, 12V-6W -LD13= MR16 LED, 24V-4W -LD14= MR16 LED, 24V-6W -LD26= MR16 LED, 120V-4W	<b>BK</b> = black <b>Blank</b> = factory white <b>GY</b> = grey

EXAMPLE: NMM1-LD14



# RHPRL SERIES

NEMA-4X Rated Remote Fixture

## TYPICAL SPECIFICATIONS

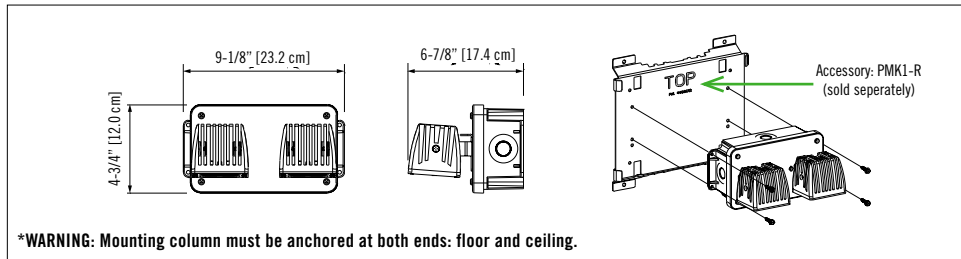
Supply and install the **Ready-Lite® RHPRL Series** remote emergency lighting fixtures. These remote fixtures will consist of either single or double lamp configurations. The housing shall be made of grey PVC, be designed for heavy duty industrial applications with temperatures ranging from -40°C to 55°C [40°F to 131°F]. The remote fixture can easily be installed on walls, poles, columns or struts. The heads shall be Die-Cast and have a flat square lens made of UV stabilized clear polycarbonate. Each head shall include four (4) high efficacy LEDs and two independent drivers.

The remote fixture shall fully adjustable without tools, be NEMA-4X rated and be cUL listed to CSA C22.2 No.141-15.

The remote unit shall be **Ready-Lite®** model: \_\_\_\_\_ .

## DIMENSIONS

Dimensions are approximate and subject to change.



**\*WARNING:** Mounting column must be anchored at both ends: floor and ceiling.

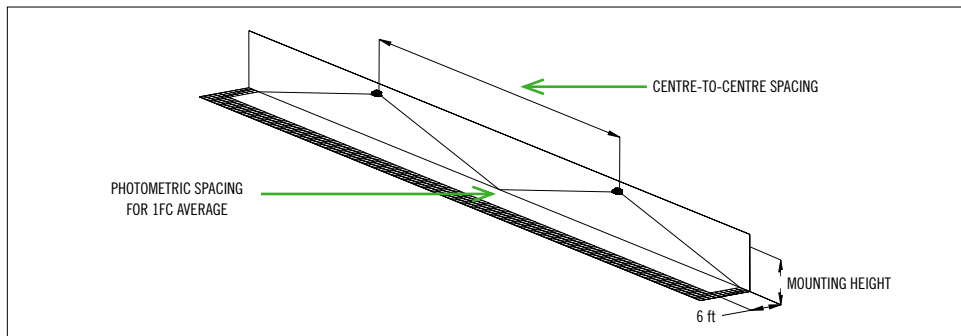
## PHOTOMETRY PERFORMANCE

Whether installed indoors or outdoors, the **RHPRL Series** of LED emergency lights deliver a stable and consistent illumination on the path of egress for a wide range of mounting heights. Depending on the application, one may select and specify among three levels of lumen output. See cross reference to traditional incandescent emergency lights below.

LED LAMP	POWER (W)	TOTAL LUMENS	OUTPERFORMS THE INCANDESCENT
L6	6W	565	35W PAR36, MR16 Halogen
L10	10W	1030	50W PAR36, MR16 Halogen
L15	15W	1320	50W MR16-IR Halogen

Industrial environment: wall mounted equipment, reflectances: 10/10/10; 6-ft wide illumination path. Illumination as per NBC; Average: 1fc; Min: 0.1fc.

MOUNTING HEIGHT	SPACING CENTRE-TO-CENTRE (FEET)		
	LAMP L6 / 6W, 565LM	LAMP L10 / 10W, 1000LM	LAMP L15 / 15W, 1300LM
10 ft	80	110	140
15 ft	70	105	135
20 ft	60	100	130
25 ft	50	95	120



## ORDERING INFORMATION

SERIES	NUMBER OF HEADS	LED HEAD
RHPRL= high performance remote	1= single 2= double	L6W= 12V, 24V-6W L10W= 12V, 24V-10W L15W= 12V, 24V-15W PMK1-R= pole mounting bracket (sold separately)

EXAMPLE: RHPRL2L10W

## FEATURES

- PVC grey housing and heads designed for heavy-duty industrial applications: indoors, outdoors, hose-down areas, cold-storage facilities etc
- Can be installed in wide temperature conditions: -40°C to 55°C [40°F to 131°F]
- NEMA-4X protection grade against liquids and windblown dust
- High-efficacy LED emergency heads outperform traditional 50W incandescent lamps
- Innovative head design: four-LED and dual-driver provide illumination even in case of unexpected component failure
- Simple and easy to install on walls, poles, columns or struts. For vertical installation on poles or columns, use mounting bracket catalogue number: PMK1-R (sold separately)
- Meet or exceed CSA C22.2 No.141-15-15
- 1 Year limited warranty  
See warranty details at: [www.tnb.ca/en/brands/ready-lite](http://www.tnb.ca/en/brands/ready-lite)



# NMHZ SERIES

## Hazardous Location

### FEATURES

- Quality illumination requires fewer fixtures
- Certified Class I Zone 2, Groups IIA, IIB and IIC
- Certified Class I Division 2, Groups A, B, C and D as per CSA C22.2 No.137-M1981
- Extreme operational temperature range: -40°C to +40°C.
- Choice of single- or double-lamp models
- High-efficacy LED lamps of 4W, 5W and 6W
- Input voltage: 6V, 12V, 24V or 120V
- Fully gasketed Die-Cast aluminum back plate
- Clear polycarbonate cover, UV and impact resistant
- Easy installation on a 4" octagonal box (included)
- Comes standard with tamper-proof screws and bit
- Meets or exceeds CSA 22.2 No.141-15  
See warranty details at: [www.tnb.ca/en/brands/ready-lite](http://www.tnb.ca/en/brands/ready-lite)

### TYPICAL SPECIFICATIONS

Supply and install **Ready-Lite® NMHZ Series** remote emergency lighting fixture. The fixture shall have a single- or double-lamp configuration (as specified) and shall include a fully gasketed Die-Cast aluminum back plate and a clear heavy-duty UV resistant polycarbonate cover. The fixture shall come standard with a 4" octagonal box, stainless steel tamper-proof screws and dedicated screwdriver bit. The fixture shall be certified for use in hazardous locations Class I, Division 2, Groups A, B, C and D and shall be listed to CSA C22.2 No.141-15 and CSA C22.2 No.137-M1981. The fixture shall be rated with a temperature code for the selected lamps as in the table below.

Each lamp in the fixture shall be able to be oriented without tools and should be equipped with LED lamp(s) of \_\_\_\_\_ V \_\_\_\_\_ W.

The remote unit shall be **Ready-Lite®** model: \_\_\_\_\_ .

#### HAZARDOUS LOCATION FAMILY CLASS I, II AND III

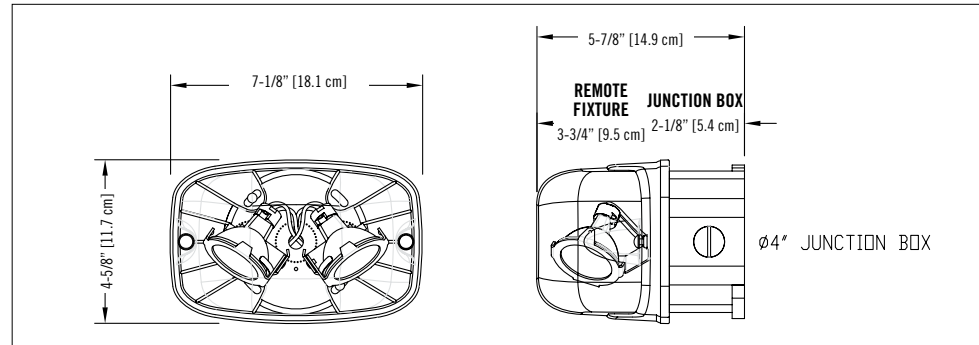


### REPLACEMENT LAMPS

MODEL	LAMP TYPE	VOLTAGE/WATTAGE	TEMPERATURE CODE
580.0097-RL	MR16, LED	6V-4W	T4A (max. 120°C)
580.0122-RL	MR16, LED	6V-5W	T4A (max. 120°C)
580.0093-RL	MR16, LED	12V-4W	T5 (max. 100°C)
580.0104-RL	MR16, LED	12V-5W	T4A (max. 120°C)
580.0106-RL	MR16, LED	12V-6W	T4 (max. 135°C)
580.0098-RL	MR16, LED	24V-4W	T5 (max. 100°C)
580.0113-RL	MR16, LED	120V-4W	T4A (max. 135°C)

### DIMENSIONS

Dimensions are approximate and subject to change.



### ORDERING INFORMATION

SERIES	NUMBER OF LAMPS	VOLTAGE/WATTAGE	COLOUR
NMHZ	1= one lamp 2= two lamps	-LD1= MR16 LED, 6V-4W -LD2= MR16 LED, 6V-5W -LD7= MR16 LED, 12V-4W -LD9= MR16 LED, 12V-5W -LD10= MR16 LED, 12V-6W -LD13= MR16 LED, 24V-4W -LD26= MR16 LED, 120V-4W	GY= grey

EXAMPLE: NMHZ1-LD26

## TYPICAL SPECIFICATIONS

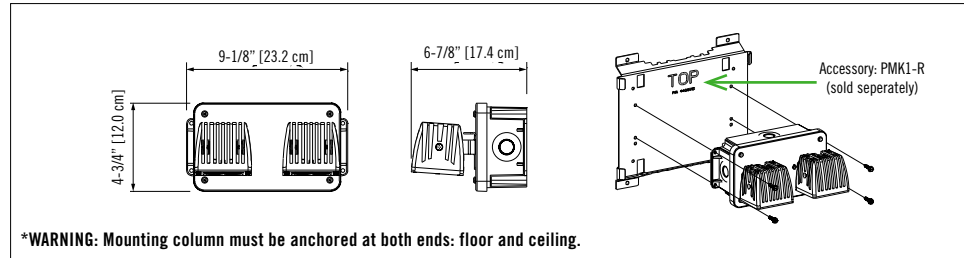
Supply and install the **Ready-Lite® RHZRL Series** remote emergency lighting fixtures. These remote fixtures will consist of either single or double lamp configurations. The housing shall be made of grey PVC designed for hazardous location Class I, Div. 2, Groups A,B,C & D; Class II Div. 2, Groups F and G and Class III applications. The remote fixture can easily be installed on walls, columns or struts. The heads shall be made of die-cast aluminum and have a flat square lens made of UV stabilized clear polycarbonate. Each head shall include four (4) high efficacy LEDs and two independent drivers.

The remote fixture shall fully adjustable without tools, be NEMA-4X rated and cUL listed to CSA C22.2 No.141-15 and No.137-M1981 standards.

The remote unit shall be **Ready-Lite®** model: \_\_\_\_\_ .

## DIMENSIONS

Dimensions are approximate and subject to change.



**\*WARNING:** Mounting column must be anchored at both ends: floor and ceiling.

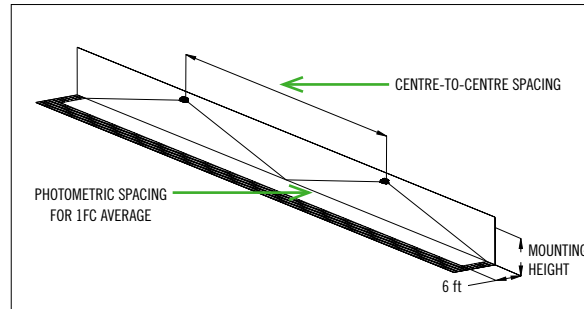
## PHOTOMETRY PERFORMANCE

Whether installed indoors or outdoors, the **RHZRL Series** of LED emergency lights deliver a stable and consistent illumination on the path of egress for a wide range of mounting heights.

LED LAMP	POWER (W)	TOTAL LUMENS	OUTPERFORMS THE INCANDESCENT LAMPS
L15	15W	1320	50W MR16-IR Halogen

Industrial environment: wall mounted equipment, reflectances: 10/10/10; 6-ft wide illumination path. Illumination as per NBC; Average: 1fc; Min: 0.1fc.

MOUNTING HEIGHT	SPACING CENTRE-TO-CENTRE (FEET)
	LAMP L15 / 15W, 1300LM
10 ft	140
15 ft	135
20 ft	130
25 ft	120
30 ft	110



## CLASSIFICATION FOR HAZARDOUS LOCATIONS

TYPE OF EMERGENCY HEADS	CLASSIFICATION	TEMPERATURE CODE
		TA = 55°C
L15	Class I Division 2 Groups A, B, C and D	T3C
	Class II Division 2 Groups F and G; Class III	T5

## ORDERING INFORMATION

SERIES	NUMBER OF HEADS	LED HEAD
RHZRL= High-performance remote heads	1= single 2= double	L15W= 12-24VDC, 15W
		PMK1-R= universal mounting bracket (sold separately)

EXAMPLE: RHZRL2L15W



## RHZRL SERIES

Hazardous Location Remote Fixture

## FEATURES

- Evaluated to CSA C22.2 No.141-15 and No.137-M1981 for use in hazardous locations: Class I Division 2, Groups A, B, C and D; Class II Division 2, Groups F and G and Class III
- Can be installed in wide temperature conditions: -40°C to 55°C [-40°F to 131°F]
- NEMA-4X protection grade against liquids and windblown dust
- High-efficacy LED emergency heads outperform traditional 50W halogen lamps
- Innovative head design: four-LED and dual-driver provide illumination even in case of unexpected component failure
- Simple and easy to install on walls, columns or struts. For vertical installation on columns, use mounting bracket catalogue number: PMK1-R (sold separately). \*See warning in installation below
- 1 Year limited warranty  
See warranty details at: [www.tnb.ca/en/brands/ready-lite](http://www.tnb.ca/en/brands/ready-lite)



# RFX LED SERIES

## Hazardous Location

### FEATURES

- CSA Certified for use in hazardous locations:
  - Class I, Divisions 1 and 2, Groups A, B, C, D
  - Class II, Divisions 1 and 2, Groups E, F, G
  - Class III, Divisions 1 and 2
- High efficacy LED lamps
- Die-Cast aluminum body with grey epoxy powder coat finish
- Clear, impact and heat resistant prismatic glass globe
- Available in 6, 12, 24 and 120V
- Available with single-lamp or twin-lamp combination
- New, easy-to-build catalogue number based on the **Ready-Lite®** Severity Codes
- Meets or exceeds CSA 22.2 No.141  
See warranty details at: [www.tnb.ca/en/brands/ready-lite](http://www.tnb.ca/en/brands/ready-lite)

**new product**



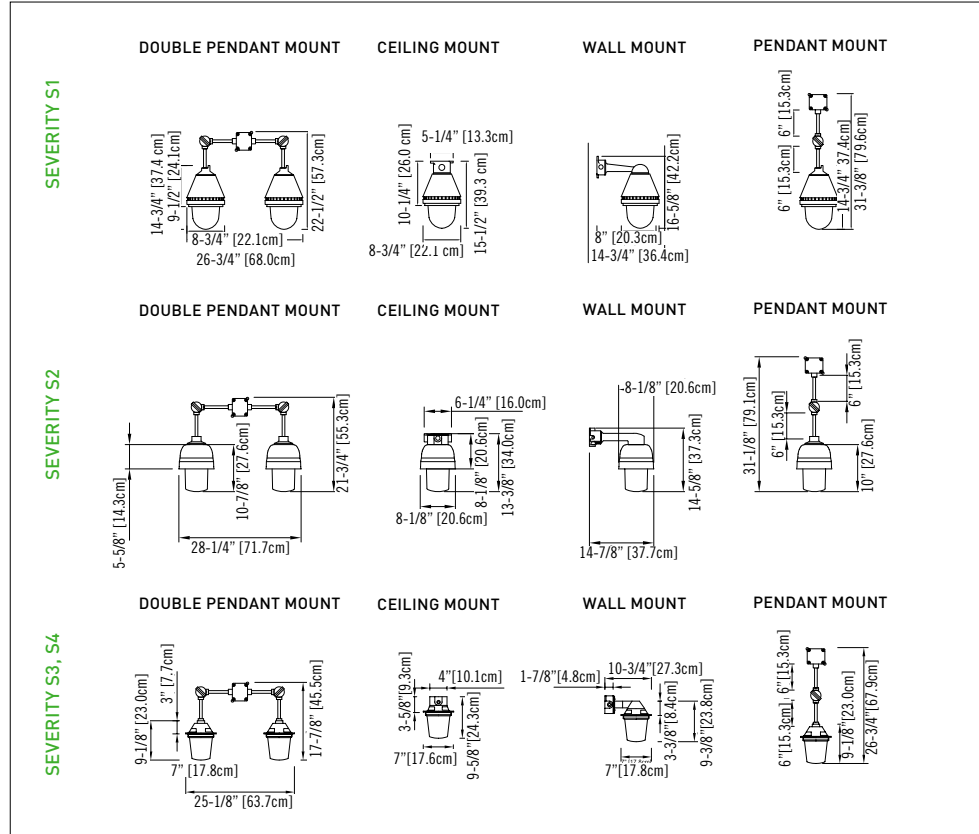
### TYPICAL SPECIFICATIONS

Supply and install the **Ready-Lite® RFX LED Series** of hazardous location remote heads. The head housing will be Die-Cast aluminum with grey epoxy powder coat finish. The lens shall be a clear, impact and heat resistant prismatic glass globe. The head shall be factory sealed. External seals shall not be required. The remote shall come complete with a \_\_\_\_\_ mounting connection and include \_\_\_\_\_ lamp(s) rated \_\_\_\_\_ V \_\_\_\_\_ W. The remote head shall be suitable for Class \_\_\_\_\_, Division \_\_\_\_\_, Group \_\_\_\_\_.

The remote unit shall be **Ready-Lite®** model: \_\_\_\_\_.

### DIMENSIONS

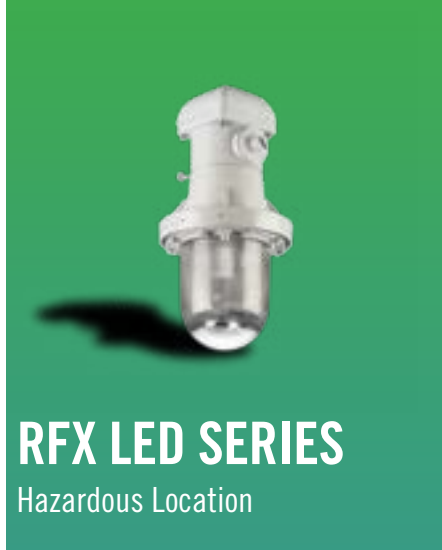
Dimensions are approximate and subject to change.



### REPLACEMENT LAMPS

MODEL	TYPE	VOLT/WATT
580.0097-RL	LED	6V-4W
580.0122-RL		6V-5W
580.0104-RL		12V-5W
580.0106-RL		12V-6W
580.0098-RL		24V-4W
580.0095-RL		120V-4W





# RFX LED SERIES

Hazardous Location

1.

ENVIRONMENT	SEVERITY CODE
Cl. I, Div. 1, Gr. A, B	S1
Cl. I, Div. 1, Gr. C, D	S2
Cl. I, Div. 2, Gr. A, B, C, D	S3
CL.II, Div.1 & 2, Gr. E, F, G CL. III, Div. 1 & 2	S4

2.

**CERTIFICATION GUIDE FOR REMOTE LIGHTING FIXTURES (40°C AMBIENT)**

severity code	S1	S2	S3	S4
temperature code	T4A	T6	T1	T3C (E.G.F.)
CSA/UL rating	max. 120°C	max. 85°C	max. 450°C	max. 165°C

## ORDERING INFORMATION

SERIES	LAMP TYPE	SEVERITY CODES	LAMP WATTAGE/TYPE	MOUNTING
<b>RFXQ</b> = single remote, one lamp <b>RFXQ-P2</b> = double remote, one lamp each <sup>1</sup> <b>RFXQ2</b> = single remote, two lamps	Blank= MR16 LED	<b>S1</b> = Cl. I, Div. 1, Gr. A & B <b>S2</b> = Cl. I, Div 1, Gr. C & D <b>S3</b> = Cl. I, Div. 2, Gr. A, B, C, D <b>S4</b> = Cl. II, Div. 1 & 2, Gr. E, F, G Cl. III, Div. 1 & 2	<b>LD1</b> = MR16 LED, 6V-4W <b>LD2</b> = MR16 LED, 6V-5W <b>LD7</b> = MR16 LED, 12V-4W <b>LD9</b> = MR16 LED, 12V-5W <b>LD10</b> = MR16 LED, 12V-6W <b>LD13</b> = MR16 LED, 24V-4W <b>LD25</b> = GU10 LED, 120V-4W	<b>C</b> = ceiling mount <b>P</b> = pendant mount <b>W</b> = wall mount

<sup>1</sup> pendant mount only

EXAMPLE: RFXQS1-LD1

A photograph of a modern building lobby with large glass walls, columns, and a polished floor. The text 'CENTRAL SYSTEMS' is overlaid on a green banner in the upper left. There are also decorative diamond shapes in the corners.

# CENTRAL SYSTEMS



MINI INVERTER  
P. 138-139 **n**



RL-5  
P. 140-141



IPS SINGLE PHASE  
P. 142-143



IPS THREE PHASE  
P. 144-145



SYSTEM OPTIONS  
P. 146



INTERFACE  
& DISPLAY  
P. 147



CENTRAL SYSTEM  
DATA REQUEST  
P. 148

**n** = new product

# TABLE OF CONTENTS



# MINI-INVERTER SERIES

Interruptible Unit Equipment

## FEATURES

- Lamps operated: Incandescent LED, fluorescent lamps and ballast combinations, including TRIAC dimmable ballasts
- Components: High-efficiency pure sine wave inverter
- Temperature-compensated charger 12V oversized Valve Regulated lead acid (VRLA) battery
- Construction: 18-gauge steel for 300W & 600W/ 14-gauge steel for 1000W & 1440W
- Emergency lighting supplied from one convenient, reliable source
- Input/Output voltage 120/120V 60Hz or 347/347V 60 Hz
- Replaceable output fuse protection
- Valve Regulated Lead Acid (VRLA) battery provides long-life and is maintenance free
- Line voltage allows remote mounting of emergency fixtures; distances up to 1000 ft.
- Low Battery Voltage Disconnect
- Unit comes standard with electronic lockout and brownout circuits
- Meets or exceeds all National Electrical Code and Life Safety Code Emergency Lighting Requirements
- Cabinet in factory white powder-coat paint finish
- **May accept load to 80% capacity when load feature power factor of 0.9 or more**
- Non audible self-diagnostic is standard. Nexus® system interface available with an improved minimum lost detection of 10%
- Standard lighting control override for 0-10V dimming systems
- Meets or exceeds the requirements of CSA 141-15

The **Mini-Inverter** is a cUL Listed stand-alone pure sine wave output inverter designed to provide power to designated emergency lighting fixtures. In a power loss situation, it will supply power from the onboard battery supply.

The **Mini-Inverter** works in conjunction with incandescent, LED, and fluorescent fixture types and will automatically run switched, normally-on, or normally-off designated emergency fixtures.

The **Mini-Inverter** is ideal for applications requiring an emergency source for lighting arrangements that utilize multiple lamp and fixture types and is available in surface mount and comes with a one year warranty and nine-year pro-rata battery warranty.

## TYPICAL SPECIFICATIONS

Emergency lighting shall be provided by inverter unit equipment designed to operate designated incandescent, fluorescent and LED fixtures on emergency power at their full nominal lumen rating during the full 30 minute emergency discharge cycle. System output will be rated at \_\_\_\_\_ watts for 30 minutes and provide fused output connections to the load. The system's voltage rating shall be \_\_\_\_\_ VAC input/output nominal. The inverter unit shall allow for fused connected emergency fixture(s) to be normally on, normally off, switched or dimmed without affecting lamp operation during a power failure.

Upon utility power loss, the inverter unit shall deliver 100% of its rated output to the emergency fixtures regardless of the local switch or dimmer (TRIAC) position, and will provide power to emergency fixtures at distances of up to 1000 feet. The housing shall be manufactured using 18-gauge steel for 300W & 600W/ 14-gauge steel for 1000W & 1440W with a white baked-on powder coat paint finish.

The unit's electronics shall include a self-contained inverter section with a fully automatic, thermal-compensating variable-rate battery charger, AC lockout feature, low battery voltage disconnect, overload, short circuit and brownout protection as standard. The unit shall utilize a sealed lead acid battery with a 10-year design life. The inverter system shall be cUL Listed and labeled. The unit shall be covered under a 1-year warranty on the electronics and battery and a 9-year pro-rata warranty on the battery. It shall meet or exceed the requirements of CSA 141-15.

## SPECIFICATIONS

TRANSFER TIME: less than 1 second
VOLTAGE REGULATION ON EMERGENCY: +/- 3%
FREQUENCY REGULATION ON EMERGENCY: 60 Hz +/- 1%
LOAD POWER FACTOR RANGE: 0.9 leading to 0.9 lagging
OPERATING TEMPERATURE: 20° TO 30°C (68° TO 86°F)

## WARRANTY

All **Ready-Lite®** inverter products receive 100% quality inspection before shipment to insure proper and satisfactory operation. When operated under normal conditions, **Ready-Lite®** inverter products will provide years of dependable service. This unit is backed by a complete 1-year warranty against defects in material or workmanship, and a 9-year prorata battery warranty.

The inverter unit shall be **Ready-Lite®** model: \_\_\_\_\_.

## ELECTRICAL CHARACTERISTICS & DIMENSIONS

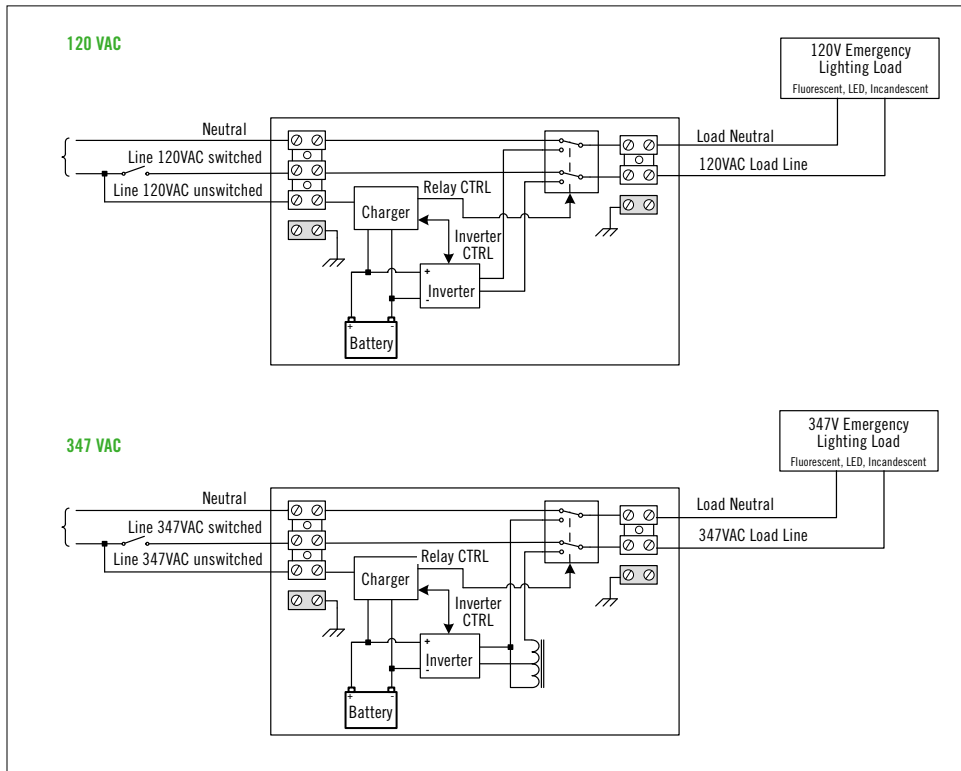
POWER RATING	MAX. INPUT RATING		SINE WAVE	INSTALLATION	CABINET DIMENSIONS			NO. OF BATTERY	WEIGHT		WEIGHT W/O BATTERY	
	120VAC	347VAC			W"	H"	D"		120V	347V	120V	347V
300W	3.10	n/a	Pure	Wall	27"	12.25"	7.25"	1	55 lbs	n/a	30 lbs	n/a
600W	6.00	2.30	Pure	Wall	24"	20.25"	10.5"	2	105 lbs	117lbs	55 lbs	67lbs
1000W	11.60	3.60	Pure	Wall	24"	20.25"	14.5"	2	150 lbs	169 lbs	70 lbs	89 lbs
1000W-4C	14.00	N/A	Pure	Wall	24"	40.75"	14.5"	4	320 lbs	n/a	198 lbs	n/a
1440W	15.00	5.00	Pure	Wall	24"	20.25"	14.5"	2	190 lbs	214 lbs	75 lbs	99 lbs



# MINI-INVERTER SERIES

Interruptible Unit Equipment

## WIRING DIAGRAM



## POWER CONSUMPTION AND UNIT RATING

MODEL NUMBER	AC SPECS	EMERGENCY POWER AVAILABLE FOR LOAD					
		30MIN	1H00	1H30	2H00	4H00	
RMI-300	120Vac	3.10 Amps	300W	175W	125W	100W	50W
RMI-600	120 / 347Vac	6.00 / 2.30 Amps	600W	350W	250W	200W	100W
RMI-1000		11.60 / 3.60 Amps	1000W	585W	415W	330W	165W
RMI-1000-4C	120Vac	14.00 Amps	n/a	n/a	1000w	800W	n/a
RMI-1440	120 / 347Vac	15.00 / 5.00 Amps	1440W	842W	600W	480W	240W

## ORDERING INFORMATION

SERIES	CAPACITY	VOLTAGES IN/OUT	DIAGNOSTIC FEATURES	OPTIONS
RMI= Series	-300= 300W -600= 600W -1000= 1000W -1440= 1440W	-1= 120/120VAC, 60 Hz -3= 347/347VAC, 60 Hz <sup>1</sup>	<b>Blank</b> = auto-diagnostics, non-audible <sup>1</sup> <b>-AD</b> = auto-diagnostics, audible <sup>1</sup> <b>-NAD</b> = No diagnostics <b>-NEX</b> = NEXUS® wired system interface <sup>2</sup> <b>-NEXRF</b> = NEXUS® wireless system interface <sup>2</sup>	<b>-4C</b> = Four output circuits <sup>1</sup> <b>-D3</b> = time delay (15 minutes) <b>-LC</b> = line cord (120V only) <b>-SAC</b> = service alarm contact <b>-TL</b> = cord & twist lock plug (120V only)

<sup>1</sup> Available only with 600W, 1000W & 1440W

<sup>1</sup> Minimum load required: 10% of unit capacity

<sup>2</sup> Please consult your sales representative

<sup>1</sup> 1000W model at 120V only, 90 minutes

EXAMPLE: RMI-1440-1



## RL-5

A General Presentation about RL-5  
Central Systems

### SERIES HIGHLIGHTS

#### PERFORMANCE

The **RL-5**-Power Systems work with lighting loads to provide full light output for minimum 30 min. It is designed to support incandescent, fluorescent and LED loads. It will power these loads at cold starts for all normally off circuits or normally on circuits.

#### TRUE SINE WAVEFORM

Using a solid-state, pulse width modulation (PWM) inverter, the systems produce pure sinusoidal output waveform with less than 5% Total Harmonic Distortion (THD) for linear loads.

#### RELIABILITY

The product is third generation inverter technology. LVD (Low Voltage Disconnect) circuitry eliminates excessive battery drain after long power outages.

#### BATTERIES

Automatic restart and recharge upon restoration of utility.

#### APPROVALS

- CSA C22.2 No. 141-10 – Emergency Lighting Equipment
- CSA C22.2 No. 107.3 – Uninterruptible Power Systems
- UL 1778 – Uninterruptible Power Systems

#### APPLICATIONS

**RL-5** -Power Systems can be used in almost every type of building, especially in architecturally sensitive applications or when maintenance costs and testing of individual unit equipment becomes significant. Our systems are designed to work with power factor corrected as well as the most recent T5 and T5-HO electronic ballasts.

### CHOOSING THE RIGHT SYSTEM

There are a variety of ways in which back-up power can be provided. However, even though certain methods are suitable for critical applications, they may not necessarily be suitable for Emergency Lighting.

This is because an Emergency Lighting system has unique load characteristics. And since Emergency Lighting is a critical life-safety installation, it is vital that a Central Battery System is designed with these load characteristics in mind. **RL-5** Power central inverter systems are specifically designed to provide emergency power for emergency lighting systems in a power failure.

### IN CHOOSING THE RIGHT AC SYSTEM TO SUPPORT EMERGENCY LIGHTING IT IS IMPORTANT TO CONSIDER THE FOLLOWING QUESTIONS:

#### OVERLOAD PERFORMANCE

Is the system able to start the full load without the mains supply present. How does the system perform in a total power failure (ie is the system able to start the load without the bypass supply being available)?

#### REPEAT DUTY

CSA141-10 requires a central battery system to fully recharge within 24 hours. Is the charger able to recharge the batteries quickly (80% in 14 hours or 100% after 24 hours)?

#### ENERGY CONSUMPTION AND HEAT DISSIPATION

Are the inverter and charger permanently running, shortening the battery life, generating heat, wasting energy and shortening component life? Are cooling fans running continuously, generating noise?

#### MAINTENANCE

Is the system easy to service and maintain? Is the system designed in a modular format, or would the failure of even a minor component require the whole system to be shut down and stripped for repair?.

### GENERAL INFORMATION ON UPS SYSTEMS:

#### RECHARGE PERIOD

UPS systems which are designed primarily for computer back-up generally offer short run times, 5 or 10 minutes. The long run times required for emergency lighting call for more powerful chargers to recharge the larger bank of batteries needed in the time prescribed by CSA.

#### OVERLOAD PERFORMANCE

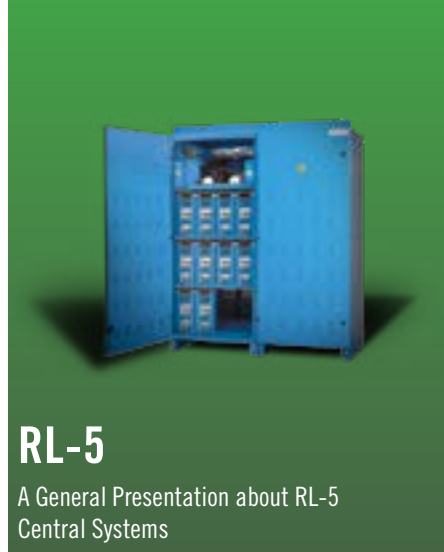
An emergency lighting load will impose large "in-rush" currents when starting lamps from cold. However, UPS systems are often designed to shut down at only 125% overload and revert to the incoming supply. During a total power failure situation, this could result in total failure of the emergency lighting system. Furthermore, a UPS may fail to clear a breaker on a lighting circuit, meaning that a single short circuit fault could result in loss of the entire emergency lighting supply.

#### ENERGY CONSUMPTION AND BATTERY LIFE

Most UPS systems operate in the "on-line" mode, whereby the inverter runs constantly to supply the load, and power is taken from the battery with the charger running constantly. This places an excessive ripple on the battery (contrary to the advice given by most battery manufacturers). Also, the system is constantly generating heat which has a further detrimental effect on battery life. There are energy costs and heat generation issues must be addressed when running an on-line system.

## SYSTEM DESIGN

The **RL-5** Power inverter and charger modules utilize solid state electronics of the highest reliability to provide a rugged, easy to maintain system with exceptional performance for emergency lighting use. The system has been designed solely for emergency lighting, and not modified from other less essential power supply requirements. As such, the system has exceptional overload performance without the need to over-specify the rating of the inverter to ensure faults can be cleared. Each module has input and output protection and each module measures and limits its own current. Alarms and status indications are provided on the front panel display, which provide clear and concise information, rather than a long list of parameters, which may be confusing.



## RL-5

A General Presentation about RL-5 Central Systems

## FEATURES

### SELF-DIAGNOSTIC/SELF-TESTING

Programmable monthly and annual self-testing. Proven self-diagnostic with information stored in separate memory logs for Test, Event and Alarm. Microprocessor monitoring and control.

### LOW HEAT DISSIPATION

Very low heat loss in standby operating mode (see specifications for exact values). Convection cooling in normal mode with forced air during emergency and recharge mode. Battery cabinets: convection cooling only.

### VERSATILE INSTALLATION

Modular design, easy front access freestanding cabinets, fasten together when more than one cabinet is required. Optional seismic kit available. All wiring provided is pre-cut and terminated, along with the necessary hardware for proper installation.

### COMPLETE PROTECTION

Battery circuit breakers are standard. Modular standard systems offer overload capacity, short-circuit protection, current-limiting, low-battery disconnect and brownout protection as standard.

### THERMAL PERFORMANCE

Bonded oversized heat sinks for maximum thermal performance. Cooling fans are energized only in inverter and recharge modes.

### MONITORING AND CONTROL

User friendly programmable interface with LCD display provides full metering values, easy program and control functions and a wide range of visual and audible alarms.

## BENEFITS

### COMPLIANCE WITH NFPA101

The self-testing meets the requirements of NFPA and UL. User programmable time of testing. Test results, events or alarms can be downloaded from history logs. Load monitoring. Reduced testing/service time.

### LESS AIR-CONDITIONING

Reduced costs for air-conditioning required to ensure the optimum operating temperature when compared with equivalent systems that dissipate much more heat. Higher reliability of fans and electronic components.

### EASY TO INSTALL

Quick installation and connection through flexible cable entries and fast access terminal blocks. Low MTTR (<30 min.) due to modular design, quick disconnect means and frontal access.

### REDUCED DAMAGE RISKS

The full protection of the system will eliminate damage created by external events and will increase lifetime of the electronics and the batteries.

### INCREASED MTBF

Increased reliability and reduced preventative maintenance. No air filters needed.

### EASY MAINTENANCE

Diagnostics, troubleshooting, preventative maintenance and service are made easier by using the front panel display or the history logs.





# IPS SINGLE PHASE SERIES

Interruptible emergency lighting inverter system 3KVA-15KVA

## FEATURES

- PWM/Power Mosfet technology
- Self-testing/Self-diagnostic
- User programmable with password protection
- User programmable variable time delay
- Optional 100% normally Off output
- RS485 MODBUS RTU communication port
- Micro-processor controlled
- 30, 60, 90, 120 minutes run times
- Summary alarm form C dry contact
- Generator compatibility
- Electronic and magnetic ballast compatible
- Automatic event, test and alarm log
- LCD display
- Maintenance free standard batteries
- Forced air cooling during emergency and recharge mode only
- Off when on standby

## SYSTEM SPECIFICATIONS

### GENERAL

<b>DESIGN</b>	Stand-by. PWM inverter type utilizing Power Mosfet technology with 500ms transfer time.
<b>CONTROL</b>	Microprocessor controlled, 4 x 20-character display with touch pad controls & functions
<b>METERING</b>	Input & Output Voltage, Battery Voltage, Battery & Output Current, Output VA, Temperature
<b>COMMUNICATIONS</b>	RS-485 MODBUS RTU Port (DB-9) Baud rate 19200 b.p.s

### ELECTRICAL INPUT

<b>VOLTAGE</b>	120, 277, 347VAC 2-wire or 120/240VAC 3-wire, 1-phase, +10%/-15%
<b>INPUT FREQUENCY</b>	60Hz

### ELECTRICAL OUTPUT

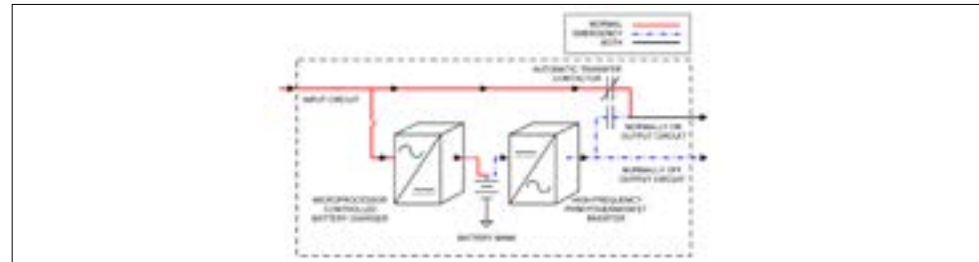
<b>VOLTAGE</b>	120, 277, 347VAC 2-wire or 120/240 3-wire, 1-phase
<b>DYNAMIC VOLTAGE</b>	+/-2% for +/-25% load step change, +/-3% for a 50% load step change, recovery within 3 cycles
<b>HARMONIC DISTORTION</b>	<5% THD for linear load
<b>OUTPUT FREQUENCY</b>	60Hz +/- 2Hz during emergency mode
<b>LOAD POWER FACTOR</b>	0.7 lag to 0.9 lead
<b>INVERTER OVERLOAD</b>	120% continuous, 150% for 1 minute and 200% for 10 seconds
<b>PROTECTION</b>	Optional External Distribution Circuit Breaker
<b>CREST FACTOR</b>	3

### ENVIRONMENTAL CONDITIONS

<b>STORAGE/TRANSPORT</b>	32°F to 104°F (0°C to 40°C) without batteries 68°F to 86°F (20°C to 30°C) with batteries <sup>(1)</sup>
<b>OPERATING TEMPERATURE</b>	System operates safely from 32°F to 104°F (0°C to 40°C) but optimum operation is between 68°F and 77°F (20°C to 25°C). Battery performance can be affected by temperature.
<b>ALTITUDE</b>	<10,000 feet (above sea level) without de-rating
<b>RELATIVE HUMIDITY</b>	0 to 95% non-condensing
<b>AUDIBLE NOISE</b>	45 dBA at 1m from surface in emergency mode

(1) - max. 3 months at 77°F-86°F (25°C-30°C)

## SINGLE LINE DIAGRAM



## ELECTRICAL/MECHANICAL CHARACTERISTICS FOR 30 MINUTES BACK-UP TIME

POWER RATING KVA/KW	EFFIC. AT FULL LOAD %	MAX. INPUT CURRENT (A)(1)				HEAT LOSS IN NORMAL MODE (BTU/HR)	BATT. VDC	BATT. ADC	NO. OF BATT. (1)	IPS CABINET DIMENSIONS			NO. OF BATT. CAB.(1) (2)	BATT. CABINET DIMENSIONS			IPS CABINET WEIGHT KG(1)	BATT. CABINET WEIGHT KG (EMPTY)(1)	BATTERY WEIGHT KG(1)	TOTAL SYSTEM WEIGHT KG(1)
		120V	240V	277V	347V					W"	H"	D"		W"	H"	D"				
3.0	98%	42	21	18	14	546	120	34	10	30	71	27	NA	NA	NA	NA	240	NA	105	345
6.0	98%	67	33	29	23	546	120	68	20	30	71	27	NA	NA	NA	NA	290	NA	210	500
9.0	98%	92	46	40	32	546	120	101	10	30	71	27	NA	NA	NA	NA	340	NA	372	712
12.0	98%	117	58	51	40	546	120	135	20	30	77	27	1	30	77	27	390	140	550	1080
15.0	98%	142	71	61	49	546	120	168	20	30	77	27	1	30	77	27	440	140	550	1130

1- For 30 min. discharge time. For other discharge times, consult factory.

2- Batteries are installed in the IPS cabinet for 3 to 9.0KVA systems, for 30 minutes only.



## CABINETS

Modular design, freestanding NEMA-1 steel cabinets powder coated for corrosion and scratch resistance. Front access design through hinged lockable doors requires only 42" front, 2" back and side clearance and 12" top clearance without drip shield. Top conduit entry Gland Plate.

## INVERTER

Using Power Mosfet/PWM technology the inverter converts DC voltage supplied by the batteries to AC voltage of a precise stabilized amplitude and frequency, suitable for most sophisticated electrical equipment. True sinusoidal output waveform with very low distortion (less than 5% for linear loads). Overload capability of 120% continuous, 150% for 1 minute and 200% for 10 seconds.

## CHARGER

Fully automatic, temperature compensated, charger recharges fully discharged batteries in maximum 24 hours at nominal AC input voltage. AC input current limiting and over-voltage protection included.

## BATTERY

System is provided standard with 10 year, maintenance free, sealed valve regulated, lead calcium batteries. 30, 60, 90 & 120 min. standard discharge time at full load under normal operating temperature (20°C to 25°C). Low Voltage Disconnect protection included. No special ventilation required.

## SUPERVISION

Automatic self tests consist of a 2-minute monthly, 1/3 discharge at 6 months and full annual discharge. The front-mounted control panel includes, a 4-line 20-character LCD display with a keypad to control and monitor the operation of the system. This allows the operator to easily "watch" system functions as they occur and check on virtually any aspect of the system's operation. Standard RS485 MODBUS RTU diagnostic interface

## ALARMS

Battery High/Low, Low Voltage Disconnect, Battery Disconnect, Maintained Lamp Off, Charger Fail, Supply From Battery, System Inhibit, Circuit Breaker Trip, Module Breaker Trip, Inverter Undervoltage, Inverter Overvoltage, Output Overcurrent, Hi Temp, Over Temp, Unit in Bypass, Inverter Frequency Control Failed, Processor Reset.

## OPTIONAL FEATURES

External Output Circuit Breakers, Output Trip Alarms, Extended Battery Warranty, 12 Hours Fast Recharge, External Maintenance Bypass Switch. Dripshield, Remote Summary Alarm Panel, Normally Off Output, Anchor Mounting Kit, Dry Contact Relay, Bacnet Gateway.

## FACTORY START-UP

Includes one additional year of warranty. See warranty conditions.

## WARRANTY

(full limited warranty conditions available upon request)

Limited manufacturer warranty is one-year, parts and labour, for system electronics. Battery warranty is one year full plus 9 years pro-rata for a total of 10 years, under normal operating conditions. System must be put in service within 6 months from ship date in order to validate warranty. Consult factory for other battery types.

## ORDERING INFORMATION<sup>(1)</sup>

SERIES	SYSTEM VOLTAGE	KVA/KW	RUN TIME	EXTERNAL CIRCUIT BREAKER	OPTIONS
R= Series	1= 120-120 input-output 2= 120/240-120/240 (3 wire in-out) 3= 277-277 4= 347-347	A= 3 B= 6 C= 9 D= 12 E= 15 <sup>1</sup>	3= 30 minutes 6= 60 minutes 9= 90 minutes 12= 120 minutes	B= no breakers F####= normally off N####= normally on  First two digits= Qty. 01 to 99 max (specify) Last two digits= Amp rating 10, 15, 20, 25... (specify)	A= fast recovery charge C= remote summary alarm panel E= output trip alarm G= "inverter on" dry contact H= normally off full capacity output I= extended battery warranty <sup>1</sup> J= external maintenance bypass K= anchor mounting kit L= drip shield M= second output terminal block N= normally on & normally off output <sup>2</sup> O= Bacnet Gateway
	* Other voltages available using external transformer (sold separately)	<sup>1</sup> For 120 minutes run time, minimum 120/240VAC in/out		Example :N1020	<sup>1</sup> Consult your sales representative. <sup>2</sup> Full capacity available on either output

EXAMPLE: R1A3N1020



## IPS SINGLE PHASE SERIES

Interruptible emergency lighting inverter system 3KVA-15KVA



# IPS THREE PHASE SERIES

Interruptible emergency lighting inverter system 4.5KVA-54KVA

## FEATURES

- PWM/Power Mosfet technology
- Self-testing/Self-diagnostic
- User programmable with password protection
- User programmable variable time delay
- Optional 100% normally Off output
- RS485 MODBUS RTU communication port
- Micro-processor controlled
- 30, 60, 90, 120 minutes run times
- Summary alarm form C dry contact
- Generator compatibility
- Electronic and magnetic ballast compatible
- Automatic event, test and alarm log
- LCD display
- Maintenance free standard batteries
- Forced air cooling during emergency and recharge modes only
- Off when on standby

## SYSTEM SPECIFICATIONS

### GENERAL

<b>DESIGN</b>	Stand-by, PWM inverter type utilizing Power Mosfet technology with 500ms transfer time.
<b>CONTROL</b>	Microprocessor controlled, 4 x 20-character display with touch pad controls & functions
<b>METERING</b>	Input & Output Voltage, Battery Voltage, Battery & Output Current, Output VA, Temperature
<b>COMMUNICATIONS</b>	RS-485 MODBUS RTU Port (DB-9) Baud rate 19200 b.p.s

### ELECTRICAL INPUT

<b>VOLTAGE</b>	120/208, 277/480, 347/600VAC 3-phase 4-wire +10% / -15%.
<b>INPUT FREQUENCY</b>	60Hz

### ELECTRICAL OUTPUT

<b>VOLTAGE</b>	120/208, 277/480, 347/600VAC 3-phase 4-wire.
<b>DYNAMIC VOLTAGE</b>	+/-2% for +/-25% load step change, +/-3% for a 50% load step change, recovery within 3 cycles
<b>HARMONIC DISTORTION</b>	<5% THD for linear load
<b>OUTPUT FREQUENCY</b>	60Hz +/- 2Hz during emergency mode
<b>LOAD POWER FACTOR</b>	0.7 lag to 0.9 lead
<b>INVERTER OVERLOAD</b>	120% continuous, 150% for 1 minute and 200% for 10 seconds
<b>PROTECTION</b>	Optional External Distribution Circuit Breaker
<b>CREST FACTOR</b>	3

### ENVIRONMENTAL CONDITIONS

<b>STORAGE/TRANSPORT</b>	32°F to 104°F (0°C to 40°C) without batteries 68°F to 86°F (20°C to 30°C) with batteries <sup>(1)</sup>
<b>OPERATING TEMPERATURE</b>	System operates safely from 32°F to 104°F (0°C to 40°C) but optimum operation is between 68° F and 77°F (20°C to 25°C). Battery performance can be affected by temperature.
<b>ALTITUDE</b>	<10,000 feet (above sea level) without de-rating
<b>RELATIVE HUMIDITY</b>	0 to 95% non-condensing
<b>AUDIBLE NOISE</b>	45 dBA at 1m from surface in emergency mode

(1) - max. 3 months at 77°F-86°F (25°C-30°C)

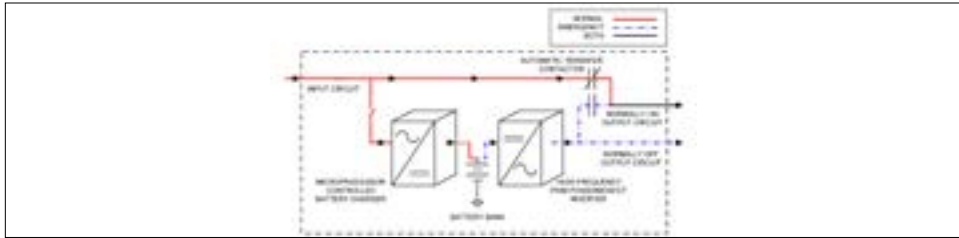
## ELECTRICAL/MECHANICAL CHARACTERISTICS FOR 30 MINUTES BACK-UP TIME

POWER RATING KVA/KW	EFFIC. AT FULL LOAD %	MAX. INPUT CURRENT (A)(1)			HEAT LOSS IN NORMAL MODE (BTU/HR)	BATT. VDC	BATT. ADC	NO. OF BATT. (1)	NO. OF IPS CAB. (1)(2)	IPS CABINET DIMENSIONS			NO. OF 20 BATT. CAB. (1) (2)	BATT. CABINET DIMENSIONS			NO. OF 30 BATT. CAB. (1) (2)	BATT. CABINET DIMENSIONS			TOTAL IPS CABINET WEIGHT KG(1)(2)	TOTAL BATT. CABINET WEIGHT KG (EMPTY)(1)	BATTERY WEIGHT KG(1)	TOTAL SYSTEM WEIGHT KG(1)
		208/120V	480/277V	600/347V						W"	H"	D"		W"	H"	D"		W"	H"	D"				
4.5	98%	29	13	10	546	120	50	20	1	30	71	27	NA	NA	NA	NA	NA	NA	NA	265	NA	210	475	
9.0	98%	42	18	14	546	120	101	10	1	30	71	27	NA	NA	NA	NA	NA	NA	NA	340	NA	372	712	
13.5	98%	54	23	19	546	120	151	20	1	30	77	27	1	30	77	27	NA	NA	NA	415	140	550	1105	
18.0	98%	67	29	23	546	120	202	20	1	30	77	27	1	30	77	27	NA	NA	NA	540	140	744	1424	
22.5	98%	79	34	27	546	120	252	30	1	30	77	27	NA	NA	NA	NA	1	30	71	30	615	165	825	1605
27.0	98%	92	40	32	546	120	303	30	1	30	77	27	NA	NA	NA	NA	1	30	77	30	690	165	1116	1971
31.5	98%	104	45	36	1092	120	353	30	2	30	77	27	1	30	77	27	NA	NA	NA	905	140	1116	2161	
36.0	98%	117	51	40	1092	120	403	40	2	30	77	27	NA	NA	NA	NA	1	30	77	30	1030	165	1488	2683
40.5	98%	129	56	45	1092	120	454	40	2	30	77	27	2	30	77	27	NA	NA	NA	1105	280	1488	2873	
45.0	98%	142	61	49	1092	120	504	50	2	30	77	27	1	30	77	27	1	30	77	30	1180	305	1860	3345
49.5	98%	NA	67	53	1092	120	555	50	2	30	77	27	1	30	77	27	1	30	77	30	1255	305	1860	3420
54.0	98%	NA	73	58	1092	120	605	60	2	30	77	27	NA	NA	NA	NA	2	30	77	30	1380	330	2232	3942

1- For 30 min. discharge time. For other discharge times, consult factory.

2- Batteries are installed in the IPS cabinet for 4.5 to 9.0KVA systems, for 30 minutes only.

## SINGLE LINE DIAGRAM



## IPS THREE PHASE SERIES

Interruptible emergency lighting inverter system 4.5KVA-54KVA

### CABINETS

Modular design, freestanding NEMA-1 steel cabinets powder coated for corrosion and scratch resistance. Front access design through hinged lockable doors requires only 42" front, 2" back and side clearance and 12" top clearance without drip shield. Top conduit entry Gland Plate.

### INVERTER

Using Power Mosfet/PWM technology the inverter converts DC voltage supplied by the batteries to AC voltage of a precise stabilized amplitude and frequency, suitable for most sophisticated electrical equipment. True sinusoidal output waveform with very low distortion (less than 5% for linear loads). Overload capability of 120% continuous, 150% for 1 minute and 200% for 10 seconds.

### CHARGER

Fully automatic, temperature compensated, charger recharges fully discharged batteries in maximum 24 hours at nominal AC input voltage. AC input current limiting and over-voltage protection included.

### BATTERY

System is provided standard with 10 year, maintenance free, sealed valve regulated, lead calcium batteries. 30, 60, 90 & 120 min. standard discharge time at full load under normal operating temperature (20°C to 25°C). Low Voltage Disconnect protection included. No special ventilation required.

### SUPERVISION

Automatic self tests consist of a 2-minute monthly, 1/3 discharge at 6 months and full annual discharge. The front-mounted control panel includes, a 4-line 20-character LCD display with a keypad to control and monitor the operation of the system. This allows the operator to easily "watch" system functions as they occur and check on virtually any aspect of the system's operation. Standard RS485 MODBUS RTU diagnostic interface

### ALARMS

Battery High/Low, Low Voltage Disconnect, Battery Disconnect, Maintained Lamp Off, Charger Fail, Supply From Battery, System Inhibit, Circuit Breaker Trip, Module Breaker Trip, Inverter Undervoltage, Inverter Overvoltage, Output Overcurrent, Hi Temp, Over Temp, Unit in Bypass, Inverter Frequency Control Failed, Processor Reset.

### OPTIONAL FEATURES

External Output Circuit Breakers, Output Trip Alarms, Extended Battery Warranty, 12 Hours Fast Recharge, External Maintenance Bypass Switch, Dripshield, Remote Summary Alarm Panel, Normally Off Output, Anchor Mounting Kit, Dry Contact Relay, Bacnet Gateway.

### FACTORY START-UP

Includes one additional year of warranty. See warranty conditions.

### WARRANTY

(Full limited warranty conditions available upon request)

Limited manufacturer warranty is one-year, parts and labour, for system electronics. Battery warranty is one year full plus 9 years pro-rata for a total of 10 years, under normal operating conditions. System must be put in service within 6 months from ship date in order to validate warranty. Consult factory for other battery types.

## ORDERING INFORMATION(1)

SERIES	SYSTEM VOLTAGE	KVA/KW		RUN TIME	EXTERNAL CIRCUIT BREAKER	OPTIONS
R111= Series	1= 120/208 4 wire 2= 277/480 3= 347/600  Other voltages available using an external transformer (sold separately)	A= 4.5 B= 9 C= 13.5 D= 18 E= 22.5 F= 27 G= 31.5	H= 36 I=40.5 J= 45 <sup>2</sup> K= 49.5 <sup>1</sup> L= 54 <sup>1</sup>	3= 30 minutes 6= 60 minutes 9= 90 minutes 12= 120 minutes	B= no breakers F####= normally off N####= normally on  First two digits= Qty. 01 to 99 max (specify) Last two digits= Amp rating 10, 15, 20, 25... (specify)  Example: N1020	A= fast recovery charge C= remote alarm panel E= output trip alarm G= "inverter on" dry contact H= normally off full capacity output I= extended battery warranty* J= external maintenance bypass  K= anchor mounting kit L= drip shield M= second output terminal block N= normally on & normally off output <sup>1</sup> O= Bacnet Gateway *Consult your sales representative. <sup>1</sup> Full capacity available on either output

EXAMPLE: R111A3N1020

## **(-A) 12 HOUR FAST RECHARGE**

Battery charger upgrade option which decreases the time required to recharge a fully discharged battery to a fully charged state. The normal 24 hour recharge time is reduced to a 12 hour period.

## **(-C) REMOTE SUMMARY ALARM PANEL**

Wall mountable box provides visual and audible alarms with silence switch. The panel consists of LED indicators and built in audible alarm and may be located up to 1,000 feet away from the inverter system.

## **(-E) OUTPUT TRIP ALARM**

System triggers an alarm when any output breaker trips.

## **(-G) INVERTER ON DRY CONTACTS**

Form C dry contacts that will change state when the system transfers to battery.

## **(-H) NORMALLY OFF OUTPUT**

This output circuit is dedicated for the emergency only equipment. Emergency only equipment operates during power outages and when the system is on battery back up. This option leaves the normally off load circuits off during normal utility power conditions.

## **(-I) EXTENDED BATTERY WARRANTY**

Extends battery warranty from 10 years pro-rated to 20 years pro-rated.

## **(-J) EXTERNAL MAINTENANCE BYPASS SWITCH**

The external maintenance bypass switch is mounted in a maximum of 20"H x 16"W x 9"D NEMA 1 separate enclosure, used to completely isolate the inverter system from the connected load and AC utility input. This option allows the system to be safely powered down for maintenance or service.

## **(-K) ANCHOR MOUNTING KIT**

The anchor mounting kit option is designed to prevent system movement during seismic events. Heavy duty brackets are provided to secure system cabinetry to your surfaces.

## **(-L) DRIP SHIELD**

Hood cover to protect the enclosure against falling water from sprinkler systems.

## **(-M) SECOND OUTPUT TERMINAL BLOCK**

The output of the Central System is divided into two. The load can be connected to either outputs.

## **(-N) NORMALLY ON & NORMALLY OFF OUTPUTS**

The Central System can have both normally on and normally off outputs. Either output can handle 100% of the load.

## **(-O) BACNET GATEWAY**

Allows communication with Bacnet network.

# USER INTERFACE & DISPLAY FUNCTIONS

## METER & READING FUNCTIONS MENU

- AC Voltage Output
- AC Current Output Normally On
- AC Current Output Normally Off
- Battery Voltage
- Battery Charging Current
- Battery Discharging Current
- KVA Total Output
- Cabinet Internal Temperature
- Inverter Frequency
- Real Time Clock
- Time Delay
- Monthly Test Result
- Half Year Test Result
- Annual Test Result
- Event Log Reading

## SERVICE MENU FUNCTIONS

- Passkey protected
- Set Battery Voltage & Current Ranges
- Set System Voltage & Current Ranges
- Set System Phase
- Set Normally OFF Load
- Set Language
- Set Real Time Clock & Calendar
- Set Time Delay Function
- Set Manual Test Duration
- Set Self Test Sequence
- Set Buzzer Function



## ADMINISTRATION MENU FUNCTIONS

- Passkey protected
- Read/Set Serial Number
- Read/Set Manufacturing Date
- Read/Set Installation Date
- Read Firmware Version
- Read/Clear Battery Elapse Time
- Read/Clear Total Power Failures
- Read/Clear Total Alarms
- Clear Event Log
- Enter Calibration Routine

## ALARM AND EVENTS

- Event Logging (1000) Type Date & Hour
- Transfer Mode
- Standby
- Load Off
- Stop Mode
- Lock-Out Mode
- Forced Transfer
- Battery Volt
- Battery Disconnect
- Mains Out Of Range
- Manual Test
- Monthly Test
- Half Year Test
- Yearly Test
- Modbus Transfer

## SYSTEM TESTING

**RL-5** Central Battery Systems provide manual and automatic test functions. Manual test can be activated any time using the test key provided on the control panel. Manual testing will do a programmable fixed test time and can be aborted any time by pushing again on the test key. Automatic test and diagnostic is done following an annual sequence. Every month a quick diagnostic test of 2 minutes is performed. At the 6 month mark, a 1/3 timed discharge test is done, and at the 12 month, a full discharge, down to LVD is performed. Pass/Fail and discharge time are registered in the event log. Test time and date is programmed using the Service Menu.

# CENTRAL SYSTEM DATA REQUEST

## 1) INPUT VOLTAGE

- |   |                                     |                                     |                                     |                                 |
|---|-------------------------------------|-------------------------------------|-------------------------------------|---------------------------------|
| <b>SINGLE PHASE</b> (2 wire + ground)   | 120VAC <input type="checkbox"/>     | 208VAC <input type="checkbox"/>     | 277VAC <input type="checkbox"/>     | 347VAC <input type="checkbox"/> |
| <b>SINGLE PHASE</b> (3 wire + ground)   | 120/240VAC <input type="checkbox"/> |                                     |                                     |                                 |
| <b>THREE PHASE</b> (4 wire + ground, Y) | 120/208VAC <input type="checkbox"/> | 277/480VAC <input type="checkbox"/> | 347/600VAC <input type="checkbox"/> |                                 |
| <b>THREE PHASE</b> (3 wire + ground, Δ) | 208VAC <input type="checkbox"/>     | 480VAC <input type="checkbox"/>     | 600VAC <input type="checkbox"/>     |                                 |

## 2) OUTPUT VOLTAGE

- |   |                                     |                                     |                                     |                                 |
|---|-------------------------------------|-------------------------------------|-------------------------------------|---------------------------------|
| <b>SINGLE PHASE</b> (2 wire + ground)   | 120VAC <input type="checkbox"/>     | 208VAC <input type="checkbox"/>     | 277VAC <input type="checkbox"/>     | 347VAC <input type="checkbox"/> |
| <b>SINGLE PHASE</b> (3 wire + ground)   | 120/240VAC <input type="checkbox"/> | 120/277VAC <input type="checkbox"/> |                                     |                                 |
| <b>THREE PHASE</b> (4 wire + ground, Y) | 120/208VAC <input type="checkbox"/> | 277/480VAC <input type="checkbox"/> | 347/600VAC <input type="checkbox"/> |                                 |

## 3) SYSTEM CAPACITY

KVA rating: \_\_\_\_\_

- a) Please consider total power consumption of the complete fixture, not just the lamp wattage
- b) Even if the systems can run with 100% load, it is recommended as standard practice to use a system with a capacity at least 20% over maximum connected load

## 4) RUNTIME

- 30 minutes       60 minutes       90 minutes       120 minutes
- Other \_\_\_\_\_

## 5) TYPE OF LOADS

- Incandescent       Fluorescent       L.E.D.
- Others \_\_\_\_\_

## 6) MODE OF OPERATION

- Normally ON (24/7)       Normally OFF (emergency only)

## 7) OUTPUT CIRCUIT BREAKERS

- |               |            |                  |  |   |                                     |
|---------------|------------|------------------|--|---|-------------------------------------|
| # of CB _____ | Amps _____ | # of poles _____ | Normally "On" <input type="checkbox"/> | Normally "Off" <input type="checkbox"/> | Trip alarm <input type="checkbox"/> |
| # of CB _____ | Amps _____ | # of poles _____ | Normally "On" <input type="checkbox"/> | Normally "Off" <input type="checkbox"/> | Trip alarm <input type="checkbox"/> |

## 8) OPTIONS (REFER TO AVAILABLE OPTIONS FOR EACH SYSTEM TYPE)

- |  |  |
|--|--|
| <input type="checkbox"/> (-A) 12 Hour Fast Recharge              | <input type="checkbox"/> (-K) Anchor Mounting Kit                |
| <input type="checkbox"/> (-C) Remote Summary Alarm Panel         | <input type="checkbox"/> (-L) Drip Shield                        |
| <input type="checkbox"/> (-E) Output Trip Alarm                  | <input type="checkbox"/> (-M) Second Output Terminal Block       |
| <input type="checkbox"/> (-G) Inverter On Dry Contacts           | <input type="checkbox"/> (-N) Normally On & Normally Off outputs |
| <input type="checkbox"/> (-H) Normally Off Output                | <input type="checkbox"/> (-O) Bacnet gateway                     |
| <input type="checkbox"/> (-I) Extended Battery Warranty          |  |
| <input type="checkbox"/> (-J) External Maintenance Bypass Switch |  |





# OPTIONS & ACCESSORIES





PENDANT KIT  
P. 152



EZ2  
P. 153



WIRE GUARDS  
P. 154-155

ZCP  
P. 156



nexus

NEXUS  
P. 157

 = new product

# TABLE OF CONTENTS



## PENDANT KIT

### TYPICAL SPECIFICATIONS

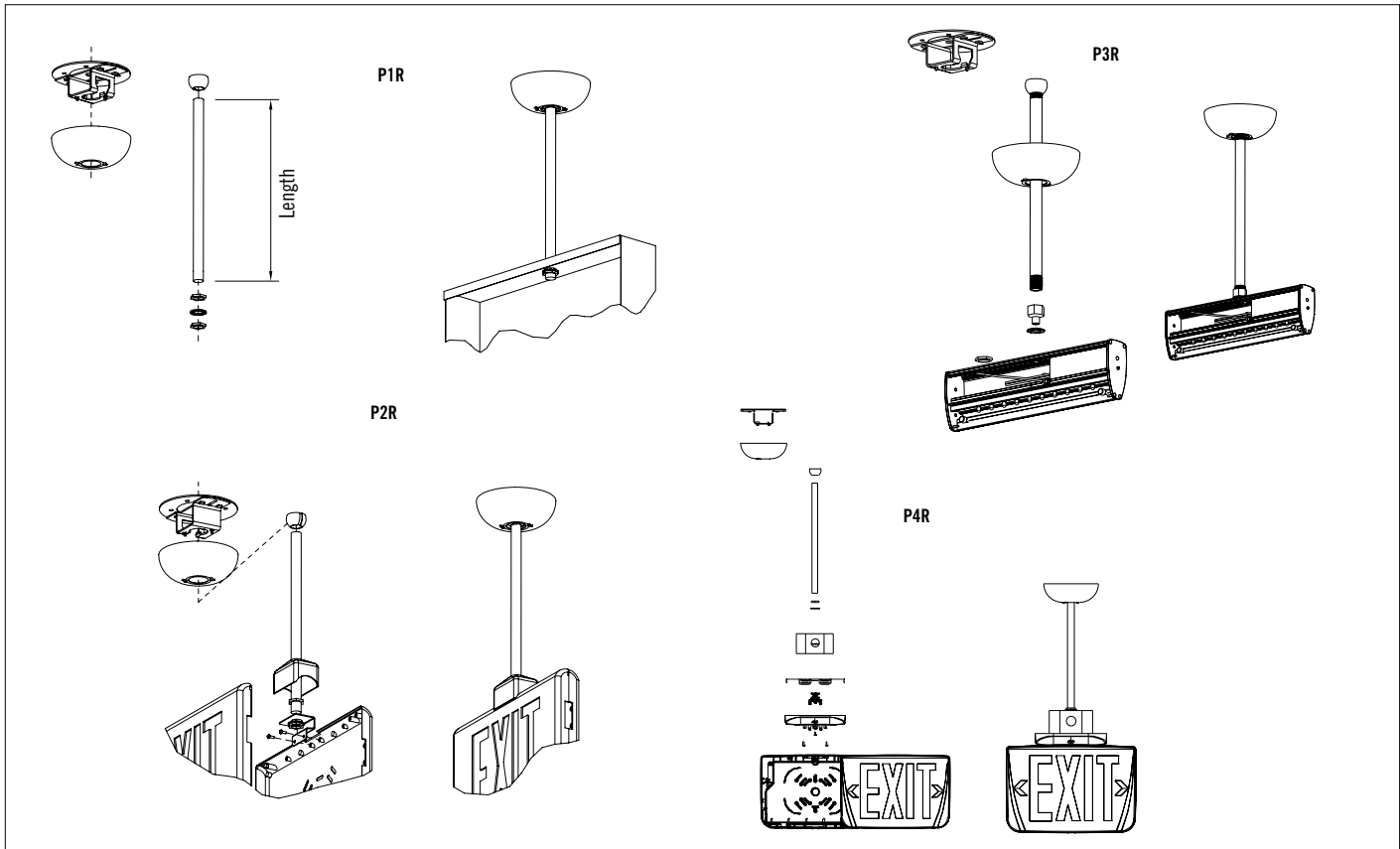
Offered in a variety of colours and lengths, **Ready-Lite®** Pendant Kits are designed to facilitate the installation of Exit Signs at regular mounting heights.

Compatible with both horizontal and sloped ceilings, these Pendant Kits are truly universal and will adapt to any application.

Please consult your sales representative.

### DIMENSIONS

Dimensions are approximate and subject to change.



### ORDERING INFORMATION

SERIES	LENGTH (IN)*	COLOUR
<b>P1R<sup>1</sup></b> standard model of pendant	6 12 18 24	<b>W</b> = white <b>B</b> = black <b>SG</b> = silver grey
<b>P2R<sup>1</sup></b> Legend™ series	6 12 18 24	<b>W</b> = white <b>B</b> = black <b>SG</b> = silver grey
<b>P3R<sup>1</sup></b> Aluminum slim edge-lit	6 12 18 24	<b>W</b> = white <b>B</b> = black <b>SG</b> = silver grey
<b>P4R<sup>1</sup></b> Ultima™ plastic exit	6 12 18 24	<b>W</b> = white <b>B</b> = black <b>SG</b> = silver grey

<sup>1</sup> Other lengths available by request. Consult your sales representative.

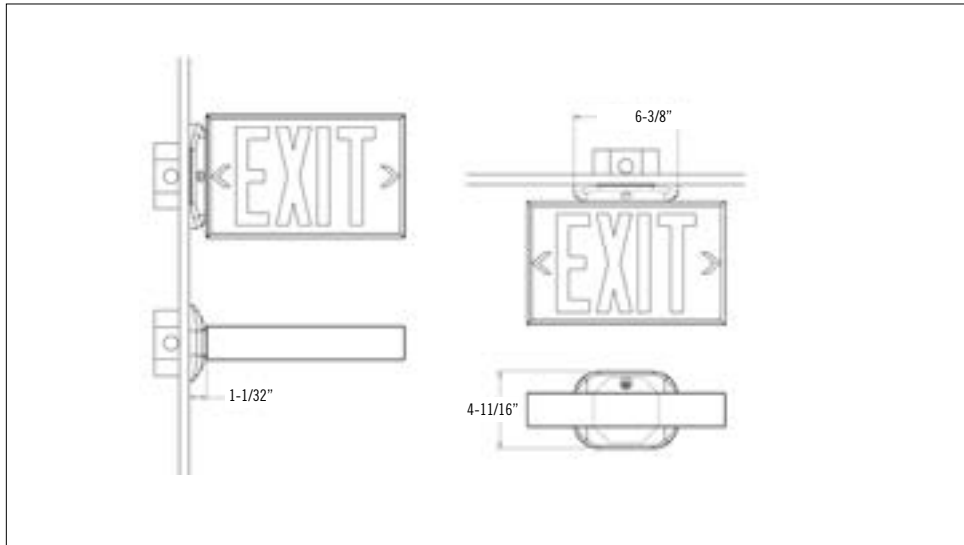
## TYPICAL SPECIFICATIONS

The **EZ2™ Canopy** allows the installer to make all of the electrical connections using both hands without having to juggle with the Exit Sign, making it our most contractor friendly product feature to date.

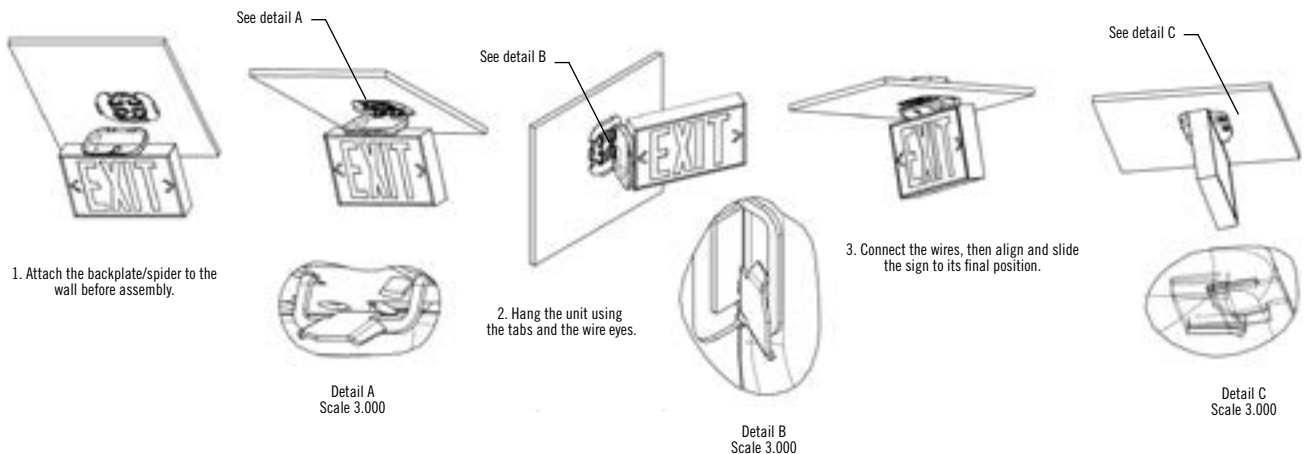
Simply attach the backplate to the junction box, clip the canopy on the Exit Sign, hang the canopy on the back plate, make your connections using both hands, slide the unit in place, one screw and the job is done!

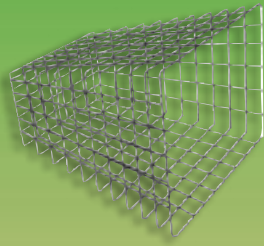
## DIMENSIONS

Dimensions are approximate and subject to change.



**EZ2™ CANOPY**  
Quick and Easy Installation

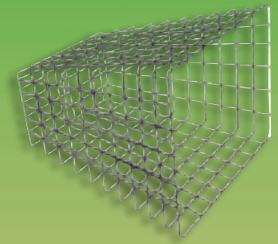




# WIRE GUARDS & MOUNTING SHELVES

## EXIT SIGNS

PART #	MOUNTING	SIGNS		DIMENSIONS		
				W	H	D
460.0027-RL	End Mount	TUF RA RT	NEXTN RN RS RP ULT RX	10-1/2" (26.7 cm)	6" (15.2 cm)	16" (40.6 cm)
460.0028-RL	Ceiling Mount	TUF RT RA RP	NEXTN RN RS ULT	14-1/2" (36.8 cm)	6-1/4" (15.9 cm)	10-1/2" (26.5 cm)
460.0048-RL	End Mount		CNESTU	10-1/2" (26.7 cm)	6" (15.2 cm)	21" (53.3 cm)
460.0057-RL	Wall Mount		CNESTU	20-3/4" (52.7 cm)	10" (25.4 cm)	4" (10.2cm)
460.0058-RL	Ceiling Mount		CNESTU	21-3/4" (55.2 cm)	5-1/2" (14 cm)	10-1/2" (26.7cm)
460.0059-RL	Wall Mount	CNEXTN	CNSXTN	31" (86.4 cm)	10" (25.4 cm)	4-1/2" (14 cm)
460.0060-RL	End Mount	N-TUF RNC RSC	RAC SM-NEXTN	20" (50.8 cm)	12" (30.5 cm)	15" (38.1 cm)
460.0060-RL	Ceiling Mount	RNC SM-NEXTN RAC RSC	R-SN ULT Combo N-TUF RH TUF-HZ	20" (50.8 cm)	12" (30.5 cm)	15" (38.1 cm)
460.0078-RL	Wall Mount	N-TUF RHC HZ	RNC Ultima™ Combo	18" (45.7 cm)	18" (45.7 cm)	7" (17.8 cm)
460.0079-RL	Wall Mount	TUF RT RP RA	NEXTN Ultima™ Exit RN RS ULTD	14-1/4" (36.2 cm)	9-7/8" (25.0 cm)	4-5/8" (11.7 cm)
460.0080-RL	Wall Mount	SM-NEXTN RH	TUFHZ RSC RAC	15-1/4" (38.7 cm)	14-1/8" (35.9 cm)	6-1/2" (16.5 cm)
460.0081-RL	Wall Mount		R-SN	20" (50.8 cm)	17-1/8" (43.6 cm)	8-1/2" (21.6 cm)



## WIRE GUARDS & MOUNTING SHELVES

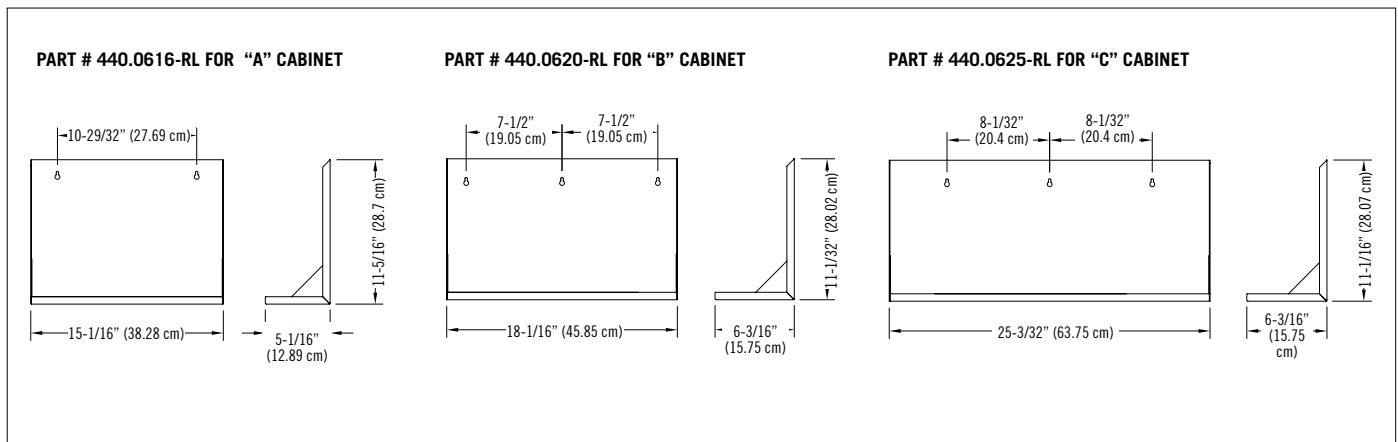
### BATTERY UNITS

PART	MOUNTING	COMMERCIAL, DECO UNIT	DIMENSIONS		
			W	H	D
460.0078-RL	Wall Mount	"A" Cabinet-6V, 12V, 24V-Max. 144W	17" (45.7 cm)	17" (45.7 cm)	7" (17.8 cm)
460.0081-RL	Wall Mount	"B" Cabinet-6V-180W 12V-216 to 360W 24V-200 to 288W	20" (50.8 cm)	17-1/8" (43.6 cm)	8-1/2" (21.6 cm)
460.0034-RL	Wall Mount	"C" Cabinet 24V-350 to 720W	28-1/8" (71.5 cm)	21-1/8" (53.7 cm)	10" (25.4 cm)
460.0097-RL	Wall or Ceiling Mount	LDX-VQ	31"(53.3 cm)	7"(17.8 cm)	6"(15.2 cm)
460.0080-RL	Wall Mount	LDXC, LDXA, Ultima	15-1/4" (38.7 cm)	14-1/8" (35.9 cm)	6-1/2" (16.5 cm)
460.0105-RL	Ceiling Mount	IPR 48"	54.6' (138.68 cm)	8' (20.32 cm)	5' (12.7 cm)

### REMOTE HEADS

PART #	REMOTE HEADS	DIMENSIONS		
		W	H	D
460.0029-RL	TUF-NM, RM, VQ, RL40M	8-1/4" (21.5 cm)	6-1/4" (15.9 cm)	6-3/4" (17.2 cm)
460.0031-RL	VQW	25-1/4" (64.1 cm)	8-1/2" (21.5 cm)	8-1/2" (21.5 cm)
460.0032-RL	VQ2, RL150D	9-1/2" (24.1 cm)	9-1/2" (24.1 cm)	6-1/8" (15.6 cm)
460.0082-RL	Guardian™, Cadilite™	12"(30.5 cm)	9"(22.9 cm)	9"(22.9 cm)
460.0078-RL	Triple Remote	17"(45.7 cm)	17"(45.7 cm)	7"(17.8 cm)

### MOUNTING SHELVES





# ZCP SERIES

Zone Control Panel

## DESCRIPTION

The **ZCP** has several inputs to detect the AC voltage of each zone. It will activate all the emergency lighting if at least one zone becomes de-energized through either a power failure or lighting circuit breaker tripping. This greatly enhances the life safety system, as any failure of a lighting circuit will ensure emergency egress lighting in the entire building. As an optional feature, the ZCP can include test buttons and/or pilot lights, enabling individual testing of each zone circuit monitored. The ZCP can be included as an option in the **Ready-Lite®** emergency lighting battery unit, with maximum 6 zone circuits. For a larger number of zones the ZCP is available in a separate enclosure (extension module).

## TYPICAL SPECIFICATION: ZCP ZONE CONTROL STAND-ALONE EXTENSION MODULE

Supply and install **Ready-Lite® ZCP Series** Model \_\_\_\_\_ of Zone Control Panel. The equipment shall have \_\_\_\_\_ (maximum 24) inputs for line voltage detection from different building zones. The wire connection from each zone circuit shall be made with terminal blocks. The value of each zone voltage shall be: \_\_\_\_\_VAC. The output circuit shall be a dry-contact relay, normally closed and shall be accessible for connection on a terminal block. The output circuit shall be connected at installation in series with the AC line supplying the battery unit equipment. The value of output line voltage shall be: \_\_\_\_\_VAC. In the case of power failure of one or several zones the output circuit will open and transfer the battery unit(s) in emergency lighting mode. When specified the equipment shall include a 'push to test' push button and/or a pilot light for each zone circuit for manual testing and service. The unit shall be certified CSA 22.2 No.141-10.

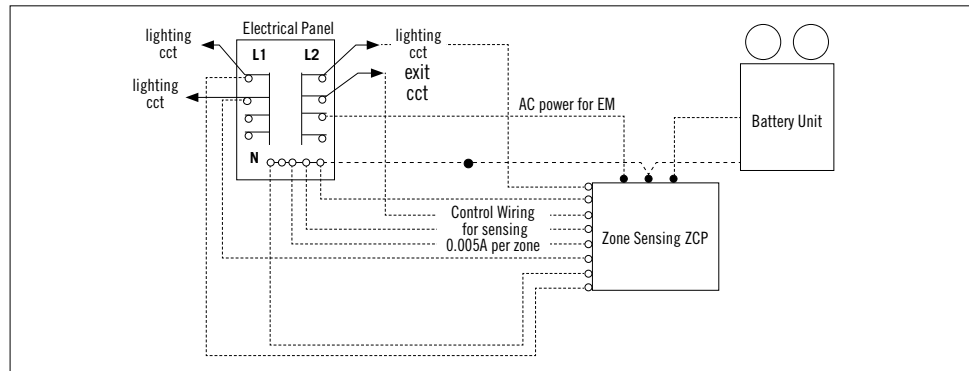
The unit shall be **Ready-Lite®** model: \_\_\_\_\_.

## TYPICAL SPECIFICATION: BATTERY UNIT EQUIPMENT WITH ZCP ZONE CONTROL OPTION

When specified, the equipment shall have \_\_\_\_\_ (maximum six) inputs for line voltage detection from different building zones. The wire connection from each zone circuit shall be made with terminal blocks. The value of each zone voltage shall be: \_\_\_\_\_VAC. In the case of a power failure of one or several zones the circuit will transfer the battery unit to emergency lighting mode for minimum 30 minutes. When specified the equipment shall include a 'push to test' push button and/or a pilot light for each zone circuit for manual testing and service. The unit shall be certified CSA 22.2 No.141-10.

The unit shall be **Ready-Lite®** model: \_\_\_\_\_.

## TYPICAL WIRING OF STAND-ALONE ZCP ZONE SENSING



## INTRODUCTION

The **Ready-Lite® ZCP** Zone Control Panel is required in buildings where the path of egress for emergency lighting crosses through several areas and each area has a separate electrical circuit and breaker for lighting. In such circumstances a local power failure in one area (zone) may not trigger the emergency lighting connected to a different electrical circuit.

The requirement for the zone control function is specified in the National Building Code of Canada and the Canadian Electrical Code:

- NBCC 9.9.12.3. 3) Lighting required in Sentence (1) shall be designed to be automatically actuated for a period of at least 30 min when the electric lighting in the affected area is interrupted.
- CEC C22.1-12 46-304 (4) Unit equipment shall be installed in such a manner that it will be automatically actuated upon failure of the power supply to the normal lighting in the area covered by that unit equipment.

## 1. ORDERING INFORMATION: STAND-ALONE ZONE SENSING EXTENSION MODULE

AC OUTPUT: BATTERY UNIT(S) (AC CURRENT DRAW: 8A MAX.)	SERIES	NUMBER OF ZONE CIRCUITS	AC INPUT OF ZONES	NUMBER OF UNITS SERVED	CABINET TYPE	OPTIONS
U120= 120VAC input U347= 347VAC input	ZCP	2Z= 2 zones 3Z= 3 zones  Additional zone circuits available, refer to cabinet type.	1= 120VAC 3= 347VAC	U1= 1 unit	A= A cabinet (max. 4 circuits) <sup>1</sup> B= B cabinet (max. 8 circuits) C= C cabinet (max. 24 circ. 120V; 16 circ. 347V) <sup>2</sup> IFG= fiberglass (max.12 circuits)	PB= zone(s) test button <sup>1</sup> PL= zone(s) pilot lamp <sup>1</sup>  <sup>1</sup> Only with cabinets: A, B and C

EXAMPLE: U120ZCP12Z1U1CPBPL

## 2. ORDERING INFORMATION: BATTERY UNIT WITH INTERNAL ZONE SENSING OPTION

BATTERY UNIT CAT CONSTRUCT	UNIT AC INPUT		OPTIONS		
	MANDATORY FOR ZCP	ZONE SENSING INTERNAL	# OF ZONES	ZONE AC	ZONE OPTIONS
LDX Series p. 126-127 Legend DECOAB Series p. 108-109 <b>LDX242882RT9</b>	U120= 120VAC U347= 347VAC	ZCP= zone sensing	2Z= 2 zones 3Z= 3 zones  Additional zone circuits (max. 6)	1= 120VAC 3= 347VAC	PB= zone(s) test button PL= zone(s) pilot lamp

## MANAGE TESTING WITH NEXUS® TO SAVE TIME AND COSTS

Nexus® is a real-time monitoring system that manages the status of your entire Emergency Lighting and Exit Sign system from a central control unit. Nexus® runs diagnostics, performs required monthly and annual functional tests, generates maintenance logs and runs compliance reports.

Available in wired or wireless (RF) versions, Nexus® installations often pay for themselves in less than two years. In addition to operational savings, Nexus® helps increase system reliability and performance and reduces the risk of failed inspections. One building or a group of properties under the same management can be monitored with Nexus®.

## MAXIMIZE SYSTEM AVAILABILITY

By allowing maintenance personnel to easily maintain and monitor the emergency lighting system without having to manually check each unit, Nexus® reduces the hours required to disrupt the power supply for inspections. With Nexus®, monthly tests and reports on the status of all emergency lights and exit signs can be done individually, in groups, or together. Advantages of the Nexus® system include saving labour; maximizing system availability by testing units in groups and stages rather than setting all units in recovery mode; and the convenience of self-monitoring. Nexus® indicates the location of a faulty unit and reports it instantly without requiring a manual search.

## UPDATE STATUS INSTANTLY

Nexus® passes messages both to and from the emergency units to instruct the units to perform all mandatory testing by communicating between the emergency units and a centrally located controller. Nexus® is a proven system supported by a 5-year warranty, and can contribute to LEED certification and support green building initiatives.

## SMALL SYSTEM EXAMPLE

In a system of fewer than 100 units it is most likely that the only hardware required, other than the emergency units themselves, is a controller. All communication would occur wirelessly and installation would not vary greatly from a non-monitored system. Once the units are in place, the system will establish the mesh network. The building itself could be quite large as each unit only needs to be able to communicate with its close neighbours and does not need to communicate directly with the controller.

## LARGE SYSTEM EXAMPLE

The Nexus® RF system has been designed to be extremely flexible and provides for a range of system options. Each large site will need to be assessed for the best system solution with the assistance of Thomas & Betts technical staff. The basic Nexus® RF system is designed to run on an Ethernet network which is present in most modern buildings; however, through a range of interface cards the backbone of the network could be WLAN.

As with the small system example, site performance will be optimized through the careful selection and placement of Area Controller Routers and the Area Controller to form efficient clusters. Building layout and materials will also play some role in determining the best solution to deliver a highly effective means of testing and maintenance requirements.

## NEXUS® SYSTEM

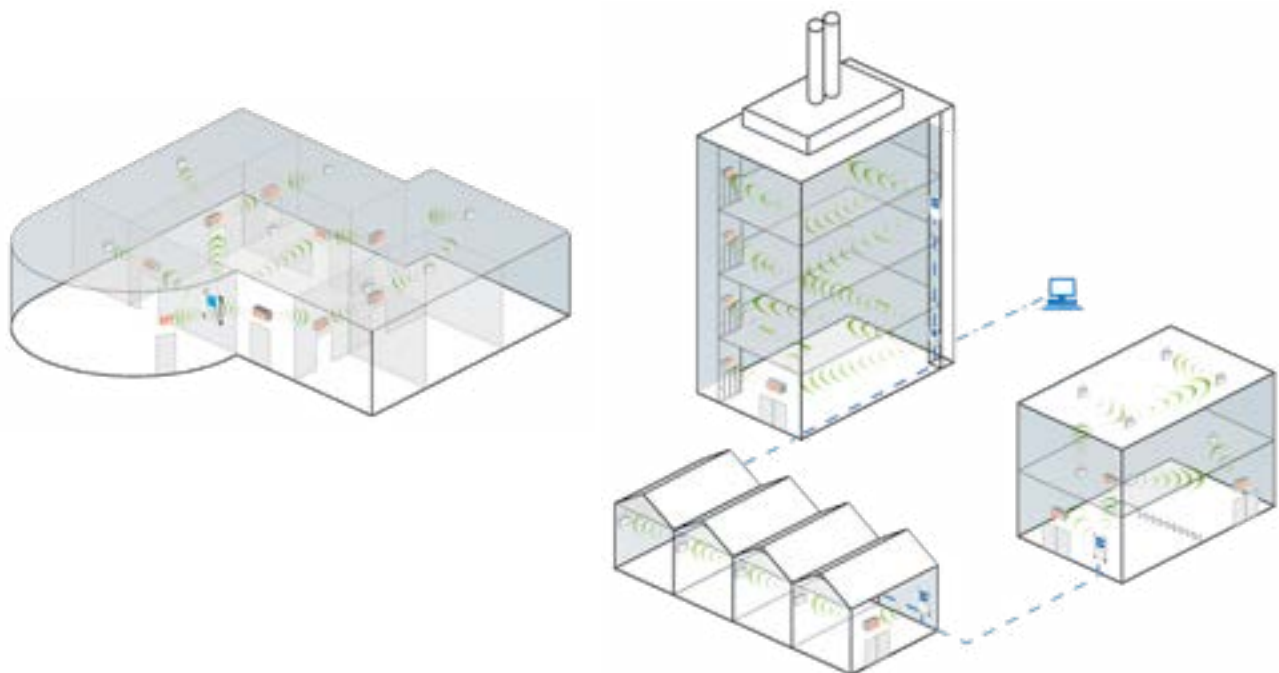
## ARE YOU PREPARED FOR A SAFETY INSPECTION?

Building & Life Safety Codes oblige building owners/managers to ensure the safe evacuation of a building in the event of an emergency. In the interest of public safety, building owners/managers must meet the outlined requirements for exit signs and emergency lighting equipment, including the following:

- Conduct a discharge test every month.
- Conduct functional tests annually.
- Keep a log book of maintenance information.

Complying with these requirements can be labour intensive and costly, especially in large buildings where testing every emergency light requires many man-hours.

Disrupting the power supply during lengthy inspections can also put public safety at risk.



# TECHNICAL INFORMATION







WIRE SIZE GUIDE  
P. 160



BATTERY  
CAPACITY CHART  
P. 161



ELECTRICAL  
CODE  
P. 162-163



BUILDING CODE  
P. 164-167



FIRE CODE  
P. 168



GENERATOR  
ROOM  
P. 169



PRODUCT INDEX  
P. 170

# TABLE OF CONTENTS

# WIRE SIZE GUIDE

When remote fixtures and exit signs are connected to emergency lighting units of less than 50 volts, circuit runs must be sufficient size to maintain a proper operating voltage to all lamps. The maximum allowable voltage drop should not exceed 5%. Proper wire size can be selected from the following table or by use of the following formula:

$$CM = \frac{22 \times W \times L}{.05 \times E^2}$$

**CM**= Wire size in circular mills  
**W**= Emergency load in watts  
**L**= Length of circuit in feet

**E**= Line Voltage  
**22**= Constant  
**.05**= Factor for max. allowable voltage drop

## LENGTH OF WIRE RUN (IN FEET)

VOLATGE	WIRE SIZE	WATTS														
		13	18	25	30	35	50	60	75	100	150	200	250	300	400	
6V	12	41	30	21	18	15	11	9	8	6	4	-	-	-	-	
	10	65	47	32	28	24	17	14	11	9	6	-	-	-	-	
	8	110	75	54	45	39	27	22	18	14	9	7	-	-	-	
	6	165	120	86	71	62	43	36	29	22	15	11	9	-	-	
12V	12	165	110	85	71	61	42	35	29	21	14	10	8	-	-	
	10	260	190	136	112	97	68	52	45	34	23	17	21	18	-	
	8	415	300	215	180	154	108	90	72	54	36	27	21	18	-	
	6	660	475	340	285	245	170	140	114	86	57	43	34	28	-	
24V	12	660	440	340	284	244	168	140	116	84	56	40	32	26	21	
	10	1040	760	544	448	388	272	208	180	136	92	68	52	44	34	
	8	1668	1200	860	720	616	432	360	288	216	144	108	84	72	54	
	6	24640	1900	1360	1140	1560	1100	900	728	548	364	272	220	180	100	
32V	12	1160	840	600	500	435	300	250	200	150	100	75	60	50	42	
	10	-	1340	960	800	690	480	400	32	24	160	120	96	80	63	
	8	-	-	1540	1280	1110	770	640	510	385	255	192	154	128	100	
	6	-	-	-	-	1740	1220	1020	815	610	405	305	240	200	163	
48V	12	-	-	-	-	-	-	1620	1300	970	650	485	390	325	260	
	10	-	1899	1367	1139	949	680	-	455	341	227	170	136	113	68	
	8	-	-	-	-	-	-	-	724	543	362	271	217	181	108	
	6	-	-	-	-	-	-	-	1729	-	1152	864	576	432	345	288
120V	12	-	-	-	-	-	-	-	-	1832	1374	926	687	549	458	274
	10	14964	-	7792	-	-	3896	-	-	1945	1300	977	720	6550	608	
	8	23787	-	12367	-	-	6193	-	-	3093	2067	1553	1238	1033	966	
	6	37810	-	19705	-	-	9852	-	-	4820	3289	2471	1970	1644	1538	
120V	6	60159	-	331327	-	-	15663	-	-	7822	5229	3929	3132	2614	2445	

# BATTERY UNIT CAPACITY CHART

## BATTERY UNIT

VOLATGE/WATTAGE	WATTAGE CAPACITY				
	30MIN	1H00	1H30	2H00	4H00
6V - 36W	36	21	15	12	6
6V - 72W	72	42	30	24	12
6V - 108W	108	63	45	36	18
6V - 180W	180	105	75	60	30
12V - 36W	36	21	15	12	6
12V - 72W	72	42	30	24	12
12V - 100W	100	58	42	33	17
12V - 144W	144	84	60	48	24
12V - 200W	200	117	83	67	33
12V - 250W	250	144	100	83	42
12V - 288W	288	168	120	96	48
12V - 360W	360	210	150	120	60
24V - 144W	144	84	60	48	24
24V - 200W	200	117	83	67	33
24V - 288W	288	168	120	96	48
24V - 350W	350	200	144	120	60
24V - 432W	432	250	180	144	72
24V - 550W	550	320	230	180	90



**LDX SERIES**



**LDX-T SERIES**



**INVISLITE™ SERIES**



**LDX-VQ SERIES**

# ELECTRICAL CODE

Extracts from the Canadian  
Electrical Code 2015

## SECTION 46 — EMERGENCY POWER SUPPLY, UNIT EQUIPMENT, EXIT SIGNS, AND LIFE SAFETY SYSTEMS

### 46-000 Scope (see Appendix B)

- 1 This Section applies to the installation, operation, and maintenance of
  - (a) emergency power supply and unit equipment intended to provide power to life safety systems; and
  - (b) emergency power supply and unit equipment intended to provide illumination of exit signs, in the event of failure of the normal supply, where the emergency power supply is required by the National Building Code of Canada.
- 2 This Section applies to the wiring between the emergency power supply and life safety systems that are required by the National Building Code of Canada to be provided with an emergency power supply
- 3 This Section applies to the wiring of exit signs
- 4 The requirements of this Section supplement or amend the general requirements of this Code

### 46-002 Special terminology (see Appendix B)

In this Section, the following definitions apply:

#### Emergency power supply

Emergency power, supplied by a generator, batteries, or a combination thereof, that is required by the National Building Code of Canada.

#### Life safety systems

Emergency lighting and fire alarm systems that are required to be provided with an emergency power supply from batteries, generators, or a combination thereof, and electrical equipment for building services such as fire pumps, elevators, smoke-venting fans, smoke control fans, and dampers that are required to be provided with an emergency power supply by an emergency generator in conformance with the National Building Code of Canada.

#### Unit equipment

Unit equipment for emergency lighting conforming to CSA C22.2 No. 141.

## GENERAL

### 46-100 Capacity

Emergency power supply and unit equipment shall have adequate capacity and rating to ensure the satisfactory operation of all connected equipment when the principal source of power fails.

### 46-102 Instructions

- 1 Complete instructions for the operation and care of an emergency power supply or unit equipment that shall specify testing at least once every month to ensure security of operation shall be posted on the premises in a frame under glass.

- 2 The form of instructions and their locations shall be in compliance with the National Building Code of Canada.

### 46-104 Maintenance

Where batteries are used as a source of the emergency power supply, the batteries shall be kept

- (a) in proper condition; and
- (b) fully charged at all times

### 46-106 Arrangement of lamps

- 1 Emergency lights shall be arranged so that the failure of any one lamp will not leave in total darkness the area normally illuminated by it.
- 2 No appliance or lamp, other than those required for emergency purposes, shall be supplied by the emergency circuits.

### 46-108 Wiring method (see Appendices B and G)

- 1 Except as permitted by Subrule (3), Rule 46-304(3), and Rule 46-400(2), the following conductors shall be installed in accordance with Subrule (2):
  - (a) conductors required for operation of life safety systems and installed between an emergency power supply and life safety systems;
  - (b) conductors between an emergency power supply and exit signs; and
  - (c) conductors between unit equipment and remote lamps.
- 2 Conductors described in Subrule (1) shall be
  - (a) installed in metal raceway of the totally enclosed type;
  - (b) incorporated in a cable having a metal armour or sheath;
  - (c) installed in rigid non-metallic conduit; or
  - (d) installed in electrical non-metallic tubing where embedded in at least 50 mm of masonry or poured concrete.
- 3 Not withstanding Subrule (2), conductors installed in buildings of combustible construction in accordance with Rules 12-506 to 12-520 shall be permitted to be
  - (a) run as a non-metallic-sheathed cable; or
  - (b) installed in a totally enclosed non-metallic raceway.
- 4 Conductors installed in accordance with Subrule (1) shall be kept entirely independent of all other conductors and equipment and shall not enter a luminaire, raceway, box, cabinet, or unit equipment occupied by other conductors except where necessary
  - (a) in transfer switches; and
  - (b) in exit signs and emergency lights supplied from two sources.
- 5 Conductors between an emergency power supply and any electrical equipment that is not defined as a "life safety system" in accordance with this Section shall not enter a luminaire, raceway, box, or cabinet occupied by conductors installed as described in Subrule (1), except where necessary in busways, splitters, and other similar enclosures provided for connection to the overcurrent device for an emergency power supply described in Rule 46-208(1).

## EMERGENCY POWER SUPPLY

### 46-200 Emergency power supply (see Appendix B)

Rules 46-202 to 46-212 apply only to emergency power supply from central standby power sources.

### 46-202 Types of emergency power supply (see Appendix G)

- 1 The emergency power supply shall be a standby supply consisting of
  - (a) a storage battery of the rechargeable type having sufficient capacity to supply and maintain at not less than 91% of full voltage the total load of the emergency circuits for the time period required by the National Building Code of Canada, but in no case less than 30 min, and equipped with a charging means to maintain the battery in a charged condition automatically; or
  - (b) a generator.

- 2 Automobile batteries and lead batteries not of the enclosed glass-jar type are not considered suitable under Subrule (1) and shall be used only where a deviation has been allowed in accordance with Rule 2-030.
- 3 Where a generator is used, it shall be
  - (a) of sufficient capacity to carry the load;
  - (b) arranged to start automatically without failure and without undue delay upon the failure of the normal power supply to any transfer switch connected to this generator; and
  - (c) in conformance with CSA C282.

#### 46-204 Protection of electrical conductors (see Appendices B and G)

All power, control, and communication conductors between an emergency generator as described in Rule 46-202(3), and electrical equipment required to be installed as a part of the emergency power supply and located outside the generator room shall be protected against fire exposure to provide continued operation in compliance with the National Building Code of Canada.

#### 46-206 Control

- 1 An emergency power supply shall be controlled by automatic transfer equipment that actuates the emergency power supply upon failure of the normal current supply and that is accessible only to authorized persons.
- 2 An automatic light-actuated device, approved for the purpose, shall be permitted to be used to control separately the lights located in an area that is adequately illuminated during daylight hours without the need for artificial lighting.

#### 46-208 Overcurrent protection

- 1 The overcurrent device for an emergency power supply shall be coordinated with the overcurrent devices of feeders and branch circuits supplying life safety systems and other electrical equipment connected to the emergency power supply in order to provide selective operation of the branch circuit overcurrent device when a fault occurs in that branch circuit.
- 2 The branch circuit overcurrent devices shall be accessible only to authorized persons.

#### 46-210 Audible and visual trouble-signal devices

- 1 Every emergency power supply shall be equipped with audible and visual trouble-signal devices that warn of derangement of the current source or sources and that indicate when exit signs or life safety systems are supplied from the emergency power supply.
- 2 Audible trouble signals shall be permitted to be wired so that
  - (a) they can be silenced, but a red warning or trouble light shall continue to provide the protective function; and
  - (b) when the system is restored to normal, the audible signal will
    - (i) sound, indicating the need to restore the silencing switch to its normal position; or
    - (ii) reset automatically so as to provide sound for any subsequent operation of the emergency power supply.

#### 46-212 Remote lamps

Lamps shall be permitted to be mounted at some distance from the current supply that feeds them, but the voltage drop in the wiring feeding such lamps shall not exceed 5% of the applied voltage.

### UNIT EQUIPMENT

#### 46-300 Unit equipment (see Appendix B)

Rules 46-302 to 46-306 apply to individual unit equipment for emergency lighting only.

#### 46-302 Mounting of equipment

Each unit equipment shall be mounted with the bottom of the enclosure not less than 2 m above the floor, wherever practicable.

#### 46-304 Supply connections

Each unit equipment shall be mounted with the bottom of the enclosure not less than 2 m above the floor, wherever practicable.

- 1 Receptacles to which unit equipment is to be connected shall be not less than 2.5 m above the floor, where practicable, and shall be not more than 1.5 m from the location of the unit equipment.

- 2 Unit equipment shall be permanently connected to the supply if
  - (a) the voltage rating exceeds 250 V; or
  - (b) the marked input rating exceeds 24 A.
- 3 Where the ratings in Subrule (2) are not exceeded, the unit equipment shall be permitted to be connected using the flexible cord and attachment plug supplied with the equipment.
- 4 Unit equipment shall be installed in such a manner that it will be automatically actuated upon failure of the power supply to the normal lighting in the area covered by that unit equipment.

#### 46-306 Remote lamps (see Appendix B)

- 1 The size of circuit conductors to remote lamps shall be such that the voltage drop does not exceed 5% of the marked output voltage of the unit equipment, or such other voltage drop for which the performance of unit equipment is certified when connected to the specific remote lamp being installed.
- 2 Remote lamps shall be suitable for remote connection and shall be included in the list of lamps provided with the unit equipment.
- 3 The number of lamps connected to a single unit equipment shall not result in a load in excess of the watts output rating marked on the equipment for the emergency period required by the National Building Code of Canada, and the load shall be computed from the information in the list of lamps referred to in Subrule (2).

### EXIT SIGNS

#### 46-400 Exit signs

Location requirements for exit signs are set out in the NBCC. Rule 46-400 covers only their connection to a power supply. Rule 46-400 also covers connection of circuits supplying lighting in the area where externally illuminated exit signs are installed in accordance with the NBCC requirements.

If an exit sign is required by the NBCC and is electrically illuminated, Subrule (1) requires that the power for the exit sign be provided by a branch circuit that supplies only other exit signs.

Subrule (2) exempts the circuit supplying only exit signs to allow it to supply emergency lighting in the area where the exit signs are located.

However, in an area where exit signs are installed and where emergency lighting is required by the NBCC or local building codes, Subrule (3) requires that exit signs must also be illuminated by an emergency power supply. This ensures that the exit sign is provided with a minimum illumination whenever the emergency lighting is energized.

Subrule (4) requires that the luminaires used to illuminate exit signs are to meet the circuit requirements of Subrule (1) and (2) and the illumination requirements of Subrule (3).

Note (2) to Rule 46-400 in Appendix B cautions that the circuit supplying both emergency lighting and exit signs not be controlled by a switch, time clock, or other disconnecting means.

## ELECTRICAL CODE

Extracts from the Canadian  
Electrical Code 2015

## 3.2.6. REQUIREMENTS FOR HIGH BUILDINGS

### 3.2.6.1. Application

- 1 This Subsection applies to a building
  - a) of Group A, D, E or F major occupancy classification that is more than
    - i) 36 m high, measured between grade and the floor level of the top storey, or
    - ii) 18 m high, measured between grade and the floor level of the top storey, and in which the cumulative or total occupant load on or above any storey above grade, other than the first storey, divided by 1.8 times the width in metres of all exit stairs at that storey, exceeds 300,
  - b) containing a Group B major occupancy in which the floor level of the highest storey of that major occupancy is more than 18 m above grade,
  - c) containing a floor area or part of a floor area located above the third storey designed or intended as a Group B, Division 2 or 3 occupancy, or
  - d) containing a Group C major occupancy whose floor level is more than 18 m above grade.

### 3.2.7.3. Emergency Lighting

- 1 Emergency lighting shall be provided to an average level of illumination not less than 10 lx at floor or tread level in
  - a) exits
  - b) principal routes providing access to exit in open floor areas and in service rooms,
  - c) corridors used by the public,
  - d) corridors serving sleeping rooms in a treatment occupancy,
  - e) corridors serving sleeping rooms in a care occupancy, except corridors serving sleeping rooms within individual suites of care occupancy,
  - f) corridors serving classrooms,
  - g) underground walkways,
  - h) public corridors,
  - i) floor areas or parts thereof where the public may congregate
    - i) in Group A, Division 1 occupancies, or
    - ii) in Group A, Division 2 and 3 occupancies having an occupant load of 60 or more,
  - j) floor areas or parts thereof of daycare centres where persons are cared for, and
  - k) food preparation areas in commercial kitchens.
- 2 Emergency lighting to provide an average level of illumination of not less than 10 lx at floor or catwalk level shall be included in a service space referred to in Sentence 3.2.1.1.(8).
- 3 The minimum value of the illumination required by Sentences (1) and (2) shall be not less than 1 lx.
- 4 In addition to the requirements of Sentences (1) to (3), the installation of battery-operated emergency lighting in buildings or part thereof where treatment is provided shall conform to the appropriate requirements of CSA Z32, "Electrical Safety and Essential Electrical Systems in Health Care Facilities".

### 3.2.7.4. Emergency Power for Lighting

- 1 An emergency power supply shall be
  - a) provided to maintain the emergency lighting required by this Subsection from a power source such as batteries or generators that will continue to supply power in the event that the regular power supply to the building is interrupted, and
  - b) so designed and installed that upon failure of the regular power it will assume the electrical load automatically for a period of
    - i) 2 h for a building within the scope of Subsection 3.2.6.,
    - ii) 1 h for a building of Group B major occupancy classification that is not within the scope of Subsection 3.2.6., and
    - iii) 30 min for a building of any other occupancy. (See Appendix A.)
- 2 If self-contained emergency lighting units are used, they shall conform to CSA C22.2 No. 141, "Emergency Lighting Equipment."

### 3.2.7.5. Emergency Power Supply Installation

- 1 Except as required by Articles 3.2.7.6. and 3.2.7.7., an emergency electrical power supply system shall be installed in conformance with CAN/CSA-C282, "Emergency Electrical Power Supply for Buildings." (See Sentence 3.2.7.8.(1) for emergency electrical power supply for voice communication systems).

## 3.4.5. EXIT SIGNS

### 3.4.5.1. Exit Signs

- 1 Every exit door shall have an exit sign placed over or adjacent to it if the exit serves
  - a) a building more than 2 storeys in building height,
  - b) a building having an occupant load of more than 150, or
  - c) a room or floor area that has a fire escape as part of a required means of egress
- 2) Every exit sign shall
  - a) be visible on approach to the exit,
  - b) consist of a green pictogram and a white or lightly tinted graphical symbol meeting the colour specifications referred to in ISO 3864-1, "Graphical symbols – Safety colours and safety signs – Part 1: Design principles for safety signs and safety markings," and
  - c) conform to ISO 7010, "Graphical symbols – Safety colours and safety signs – Registered safety signs" for the following symbols (see Note A-3.4.5.1 (2)(c)):
    - i) E001 emergency exit left,
    - ii) E002 emergency exit right,
    - iii) E005 90-degree directional arrow, and
    - iv) E006 45-degree directional arrow
- 3) Internally illuminated exit signs shall be continuously illuminated and
  - a) where illumination of the sign is powered by an electrical circuit, be constructed in conformance with CSA C22.2 No. 141, "Emergency Lighting Equipment," or
  - b) where illumination of the sign is not powered by an electrical circuit, be constructed in conformance with CAN/ULC-S572, "Photoluminescent and Self-Luminous Signs and Path Marking Systems."
- 4) Externally illuminated exit signs shall be continuously illuminated and be constructed in conformance with CAN/ULC-S572, "Photoluminescent and Self-Luminous Signs and Path Marking Systems." (see Note A-3.4.5.1(4).)
- 5) The circuitry serving lighting for externally and internally illuminated exit signs shall
  - a) serve no equipment other than emergency equipment, and
  - b) be connected to an emergency power supply as described in Article 3.2.7.4.
- 6) Where no exit is visible from a public corridor, from a corridor used by the public in a Group A or B major occupancy, or from principal routes serving an open floor area having an occupant load of more than 150, an exit sign conforming to Clauses (2)(b) and (c) with an arrow or pointer indicating the direction of egress shall be provided.

- 7) Except for egress doorways described in Sentence 3.3.2.4.(4), an exit sign conforming to Sentences (2) to (5) shall be placed over or adjacent to every egress doorway from rooms with an occupant load of more than 60 in Group A, Division 1 occupancies, dance halls, licensed beverage establishments, and other similar occupancies that, when occupied, have lighting levels below that which would provide easy identification of the egress doorway.

#### 3.4.5.2. Signs for Stairs and Ramps at Exit Level

- 1 In a building more than 2 storeys in building height, any part of an exit ramp or stairway that continues up or down past the lowest exit level shall have a posted sign clearly indicating that it does not lead to an exit.

### 9.9.11. SIGNS

#### 9.9.11.1. Application

- 1 This Subsection applies to all exits except those serving not more than one dwelling unit or a house with a secondary suite.

#### 9.9.11.2. Visibility of Exits

- 1 Exits shall be located so as to be clearly visible or their locations shall be clearly indicated.
- 2 Where an exit door leading directly to the outside is subject to being obstructed by parked vehicles or storage because of its location, a visible sign or a physical barrier prohibiting such obstruction shall be installed or the exterior side of the door.

#### 9.9.11.3. Exit Signs

- 1 Every exit door shall have an exit sign placed over it or adjacent to it if the exit serves
  - a) a building that is 3 storeys in building height,
  - b) a building having an occupant load of more than 150, or
  - c) a room or floor area that has a fire escape as part of a required means of egress.
- 2 Every exit sign shall
  - a) be visible on approach to the exit,
  - b) consist of a green pictogram and a white or lightly tinted graphical symbol meeting the colour specifications referred to in ISO 3864-1, "Graphical symbols – Safety colours and safety signs – Part 1: Design principles for safety signs in workplaces and public areas," and
  - c) conform to the dimensions indicated in ISO 7010, "Graphical symbols – Safety colours and safety signs – for the following symbols (see A-3.4.5.1.(2)(c))
    - i) E001 emergency exit left,
    - ii) E002 emergency exit right,
    - iii) E005 90-degree directional arrow, and
    - iv) E006 45-degree directional arrow.
- 3 Internally illuminated exit signs shall be continuously illuminated and
  - a) where illumination of the sign is powered by an electrical circuit, be constructed in conformance with CSA C22.2 No. 141, "Emergency Lighting Equipment," or
  - b) where illumination of the sign is not powered by an electrical circuit, be constructed in conformance with CAN/ULC-S572, "Photoluminescent and Self-Luminous Signs and Path Marking Systems."
- 4 Externally illuminated exit signs shall be continuously illuminated and be constructed in conformance with CAN/ULC-S572, "Photoluminescent and Self-Luminous Signs and Path Marking Systems." (See A-3.4.5.1.(4))
- 5 The circuitry serving lighting for externally and internally illuminated exit signs shall
  - a) serve no equipment other than emergency equipment, and
  - b) be connected to an emergency power supply as described in Sentences 9.9.12.3.(2), (3) and (7).

## BUILDING CODE

Extracts from the National Building Code of Canada 2015

- 6 Where no exit is visible from a public corridor, from a corridor used by the public, or from principal routes serving an open floor area having an occupant load of more than 150, an exit sign conforming to Clauses (2)(b) and (c) with an arrow or pointer indicating the direction of egress shall be provided

#### 9.9.11.4. Signs for Stairs and Ramps at Exit Level

- 1 In buildings that are 3 storeys in building height, any part of an exit ramp or stairway that continues up or down past the lowest exit level shall be clearly marked to indicate that it does not lead to an exit, if the portion beyond the exit level may be mistaken as the direction of exit travel.

### 9.9.12. LIGHTING

#### 9.9.11.4. Signs for Stairs and Ramps at Exit Level

- 1 This Subsection applies to the lighting of all means of egress except those within dwelling units or a house with a secondary suite.

#### 9.9.12.2. Required Lighting in Egress Facilities

- 1 Every exit, public corridor or corridor providing access to exit for the public shall be equipped to provide illumination to an average level of not less than 50 lx at floor or tread level and at all points such as angles and intersections at changes of level where there are stairs or ramps.
- 2 The minimum value of the illumination required by Sentence (1) shall be not less than 10 lx

#### 9.9.12.3. Emergency Lighting

- 1 Emergency lighting shall be provided in
  - a) exits,
  - b) principal routes providing access to exit in an open floor area,
  - c) corridors used by the public,
  - d) underground walkways, and
  - e) public corridors.
- 2 Emergency lighting required in Sentence (1) shall be provided from a source of energy separate from the electrical supply for the building.
- 3 Lighting required in Sentence (1) shall be designed to be automatically actuated for a period of at least 30 min when the electric lighting in the affected area is interrupted.
- 4 Illumination from lighting required in Sentence (1) shall be provided to average levels of not less than 10 lx at floor or tread level.
- 5 The minimum value of the illumination required by Sentence (4) shall be not less than 1 lx.
- 6 Where incandescent lighting is provided, lighting equal to 1 W/m<sup>2</sup> of floor area shall be considered to meet the requirement in Sentence (4).
- 7 Where self-contained emergency lighting units are used, they shall conform to CSA C22.2 No. 141, "Emergency Lighting Equipment."

# BUILDING CODE

Extracts from the National Building Code of Canada 2015

## APPENDIX A EXPLANATORY MATERIAL

### A-3.1.2. Use Classification

The purpose of classification is to determine which requirements apply.

This Code requires classification in accordance with every major occupancy for which the building is used or intended to be used. Where necessary, an application clause has been inserted in this Part to explain how to choose between the alternative requirements which multiple occupancy classification may present.

#### A-3.1.2.1.(1) Major Occupancy Classification.

The following are examples of the major occupancy classifications described in Table 3.1.2.1.:

EXAMPLES	GROUP	DIVISION
Motion picture theatres Opera houses Television studios admitting a viewing audience Theatres, including experimental theatres	A	1
Art galleries Auditoria Bowling alleys Churches and similar places of worship Clubs, nonresidential Community halls Courtrooms Dance halls Exhibition halls (other than classified in Group E) Gymnasia Lecture halls Libraries Licensed beverage establishments Museums Passenger stations and depots Recreational piers Restaurants Schools and colleges, nonresidential Undertaking premises	A	2
Arenas Indoor swimming pools, with or without spectator seating Rinks	A	3
Amusement park structures (not elsewhere classified) Bleachers Grandstands Reviewing stands Stadiums	A	4
Jails Penitentiaries Police stations with detention quarters Prisons Psychiatric hospitals with detention quarters Reformatories with detention quarters	B	1
Care facilities with treatment Convalescent /recovery/ rehabilitation centres with treatment Hospices with treatment Hospitals Infirmaries Nursing homes with treatment Psychiatric hospitals without detention quarters Respite centres with treatment	B	2
Assisted/supportive living facilities Care facilities without treatment Children's custodial homes Convalescent/recovery/rehabilitation centres without treatment Group homes Hospices without treatment Nursing homes without treatment Reformatories without detention quarters Respite centres without treatment	B	3
Apartments Boarding houses Clubs, residential Colleges, residential Convents Dormitories Hotels Houses Lodging houses Monasteries Motels Schools, residential	C	



EXAMPLES		GROUP	DIVISION
Banks Barber and hairdressing shops Beauty parlours Dental offices Dry cleaning establishments, self-service, not using flammable or explosive solvents or cleaners Laundries, self-service	Medical offices Offices Police stations without detention quarters Radio stations Small tool and appliance rental and service establishments	D	
Department stores Exhibition halls Markets	Shops Stores Supermarkets	E	
Bulk plants for flammable liquids Bulk storage warehouses for hazardous substances Cereal mills Chemical manufacturing or processing plants Distilleries Dry cleaning plants Feed mills	Flour mills Grain elevators Lacquer factories Mattress factories Paint, varnish and pyroxylin product factories Rubber processing plants Spray painting operations Waste paper processing plants	F	1
Aircraft hangars Box factories Candy plants Cold storage plants Dry cleaning establishments not using flammable or explosive solvents or cleaners Electrical substations Factories Freight depots Helicopter landing areas on roofs Laboratories Laundries, except self-service Mattress factories Planing mills	Printing plants Repair garages Salesrooms Service stations Storage rooms Television studios not admitting a viewing audience Warehouses Wholesale rooms Woodworking factories Workshops	F	2
Creameries Factories Laboratories Light-aircraft hangars (storage only) Power plants Salesrooms	Sample display rooms Storage garages, including open air parking garages Storage rooms Warehouses Workshops	F	3

## BUILDING CODE

Extracts from the National Building Code of Canada 2015

### A-3.4.5.1.(2)(C) GRAPHICAL SYMBOLS FOR EXIT SIGNS



ISO 7010, "Graphical" symbols – Safety colours and safety signs – Registered safety signs" identifies the following internationally recognized symbols for use at required exits

### "EMERGENCY EXIT RIGHT" (E001) SYMBOL FROM ISO 7010



**Figure A-3.4.5.1.(2)(c)-B**  
90-degree directional arrow (E005) from ISO 7010  
A-3.4.5.1.(4) Externally Illuminated Signs

An external lighting source is required to properly charge photoluminescent signs. These types of signs must be lit in conformance with the charging requirements stated in CAN/ULC-S572.

### A-3.4.6. Application to Means of Egress

The requirements in Subsection 3.4.6. apply to interior and exterior exits, as well as to ramps, stairways and passageways used by the public as access to exit. The treads, risers, landings, handrails and guards for the latter access to exit facilities must thus be provided in conformance with the appropriate requirements for exit facilities.

# FIRE CODE

Extracts from the National Fire Code of Canada 2015

## 2.7. SAFETY TO LIFE

### 2.7.3. Exit Lighting, Exit Signs and Emergency Lighting

#### 2.7.3.1. Installation and Maintenance

- 1) Exit lighting, exit signs and emergency lighting shall be provided in buildings in conformance with the NBC. (See Note A-2.37.3.1.(1).)
- 2) Exit lighting and exit signs shall be illuminated during times when the building is occupied.
- 3) Emergency lighting shall be maintained in operating condition, in conformance with Section 6.5.

## 6.5. EMERGENCY POWER SYSTEMS AND UNIT EQUIPMENT FOR EMERGENCY LIGHTING

### 6.5.1 GENERAL

#### 6.5.1.1. Inspection, Testing and Maintenance

- 1) Except as provided in Articles 6.5.1.2. to 6.5.1.5., emergency power systems shall be inspected, tested and maintained in conformance with CSA-C282, "Emergency Electrical Power Supply for Buildings."
- 2) An emergency electrical power supply system for emergency equipment for health care facilities shall be inspected, tested and maintained in conformance with CSA Z32, "Electrical Safety and Essential Electrical Systems in Health Care Facilities." (See Appendix A.)

#### 6.5.1.2. Notification

- 1) When an emergency power system or any part thereof is shut down, the supervisory staff shall be notified in conformance with Section 2.8.

#### 6.5.1.3. Instructions

- 1) Where an emergency power system is installed, instructions shall be provided for switching on essential loads and for starting the generator when this is not done automatically.

#### 6.5.1.4. Records

- 1) Written records shall be maintained as required in CAN/CSA-C282, "Emergency Electrical Power Supply for Buildings".

#### 6.5.1.6. Inspection of Unit Equipment

- 1) Self-contained emergency lighting unit equipment shall be inspected at intervals not greater than one month to ensure that
  - a) pilot lights are functioning and not obviously damaged or obstructed,
  - b) the terminal connections are clean, free of corrosion and lubricated when necessary,
  - c) the terminal clamps are clean and tight as per manufacturer's specifications, and
  - d) the battery surface is kept clean and dry.
- 2) Self-contained emergency lighting unit equipment shall be tested
  - a) at intervals not greater than one month to ensure that the emergency lights will function upon failure of the primary power supply, and
  - b) at intervals not greater than 12 months to ensure that the unit will provide emergency lighting for a duration equal to the design criterion under simulated power failure conditions.
- 3) After completion of the test required in Clause (2)(b), the charging conditions for voltage and current and the recovery period shall be tested to ensure that the charging system is functioning in accordance with the manufacturer's specifications.

#### 6.5.1.7. Inspection of Emergency Lights

- 1) Except as provided in Article 6.5.1.6., emergency lights shall be inspected at intervals not greater than 12 months to ensure that they are functional.

## SECTION 6.11

### Emergency Lighting

#### 6.11.1

The emergency electrical power supply room and the automatic transfer switch room, where separate, shall be equipped with unit equipment for emergency lighting that complies with CSA C22.2 No. 141. Sufficient lamps shall be provided to ensure that a minimum lighting level of 50 lx for 2 h is available at all equipment locations requiring adjustment or service.

Note: This illumination level is significantly greater than that specified in the NBCC, which requires 10 lx for egress route emergency lighting

#### 6.11.2

Emergency lighting units shall be tested in accordance with Table 2 and CSA C22.2 No. 141.

#### 6.11.3

The emergency lighting unit shall include

- (a) automatic self-diagnostic circuitry; and
- (b) a transient voltage surge suppressor on the supply side of power to the unit.

**GENERATOR ROOM**  
Extracts from the Canadian Standards  
Association 2015

# PRODUCT INDEX

SERIES	PAGE NUMBER	SERIES	PAGE NUMBER	SERIES	PAGE NUMBER
12H5	41, 43	P1R	152	RXL3	15
12L50	41, 43	P2R	152	SM18	26, 27
12R50	37	P3R	152	SM28	33
12R80	37	P4R	152	SM36	26, 27, 33
AVNG20N	95	R	143	SM44	33
AVNG36N	95	R27	37	SM72	26, 27, 33
CAD	79, 119	R50	37	TUF	50
CNEST	34	RA	19, 20	TUFHZ	55
CNEXTN	35	RAC	25	ULT	39
CNSXTN	35	RAE	16	ULT12	97
CS	22, 23	RAEC	17	ULT6	97
CX	23	RCB-HO	100	V	123
CX5	21	RCS	44		
GUA	120	RCSB	101		
H12H10	57	RCSC	45		
H12Z60	57	RCSR	128		
HIDE	80	RD	18		
HIDR	121	RDE	13		
HZ36N	57	RFX-CSDF	67		
IPR-LEDN	112	RFX-CSSF	67		
L20	41, 43	RFX-EXDF	63		
L50	41, 43	RFX-EXSF	63		
LDX12	61, 65, 69, 83, 85, 89, 91, 103, 109, 111	RFXQ	135		
LDX12100	93	RFXQ-P2	135		
LDX12130	93	RFXQZ	135		
LDX1236	93	RH	52		
LDX1272	93	RHC	53		
LDX24	61, 65, 69, 83, 85, 89, 91, 109	RHP	105		
LDX24144	93	RHPRL	131		
LDX6	83, 85, 89, 91, 103, 109, 111	RHZ	107		
LDXA12	86	RHZRL	133		
LDXA6	86	RIII	145		
LDXC12	87	RL150	124		
LDXC6	87, 94	RL40M	129		
MH	81, 122	RL40MP	129		
MULT12	99	RLR	125		
MULT6	99	RM	126		
N12M60	51	RMI	139		
NEXTN	32	RN10	46		
NM36	51	RN	47		
NMHZ	132	RNC	49		
NMM	130	RP	38, 127		
NMMP	130	RS	29		
		RSC	30, 31		
		RT	70		
		RX	59		

# READY-LITE

**TOLL FREE:**

866-851-9680

**FAX:**

866-601-0002

**[www.ready-lite.ca](http://www.ready-lite.ca)**

All information and specifications contained in this catalogue are subject to change due to engineer design, errors and omissions. Illustrations and diagrams within this catalogue may vary from actual products.

©2020 ABB. All rights reserved. 05/2020  
Order no: RLCAT-ENG



**by ABB**