



GUARDIAN™ SERIES

NEMA-3R
Wall Mounted, Remote Head



TYPICAL SPECIFICATIONS

Wall mount unit shall be gasketed Die-Cast aluminum housing, impact resistant polycarbonate diffuser. The lamps shall be adjustable for aisle or area distribution. Fixture shall be supplied with gasket and shall be suitable for installation on any four inch octagonal box.

The remote unit shall be **Ready-Lite®** model: _____.

WIRE GUARDS

460.0082-RL	wall mount
-------------	------------

REPLACEMENT LAMPS

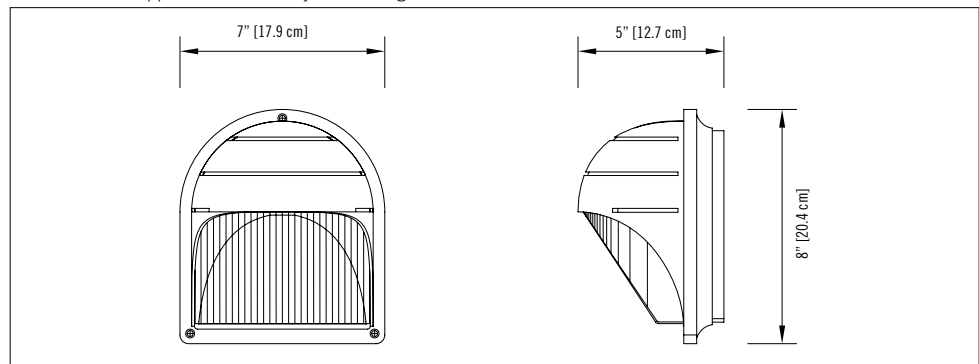
MODEL	LAMP TYPE	VOLTAGE/WATTAGE
580.0097-RL	MR16, LED	6V-4W
580.0122-RL	MR16, LED	6V-5W
580.0093-RL	MR16, LED	12V-4W
580.0104-RL	MR16, LED	12V-5W
580.0106-RL	MR16, LED	12V-6W
580.0098-RL	MR16, LED	24V-4W
580.0100-RL	MR16, LED	24V-6W

FEATURES

- Outdoor/Indoor installation
- Compact wall sconce unit for indoor and outdoor use
- High impact resistant polycarbonate diffuser
- Adjustable lamps
- Die-Cast aluminum housing
- Vandal resistant option
- CSA Certified to C22.2 No.141-15

DIMENSIONS

Dimensions are approximate and subject to change.



ORDERING INFORMATION

SERIES	LAMP TYPE	VOLTAGE/ WATTAGE	COLOUR	OPTIONS
GUA= exterior remote	M= MR16	Blank = no lamps -LD1 = 2X MR16 LED, 6V-4W -LD2 = 2X MR16 LED, 6V-5W -LD7 = 2X MR16 LED, 12V-4W -LD9 = 2X MR16 LED, 12V-5W -LD10 = 2X MR16 LED, 12V-6W -LD13 = 2X MR16 LED, 24V-4W -LD14 = 2X MR16 LED, 24V-6W -LD26 = 2x MR16 LED, 120V-4W	Blank = factory white BK = black DG = dark grey	C = clear lens VR = vandal resistant screws ¹ ¹ 990.0119-RL= tamper-proof bit (sold separately)

EXAMPLE: GUA-LD10BK