



Super-Duty Splice Plate™

For Strength,
Reliability and Savings

Reduce structural supports
and installation costs.
One splice plate,
two solutions.

The NEW ultra-robust **Super-Duty Splice Plate™** allows cost-efficient expansion by reducing the need for structural supports. It can also be used for sturdy mid-span splicing. Engineers, end users and contractors benefit from significant cost reductions without sacrificing quality or structural integrity.

Cost reduction – eliminate structural supports

Efficiency – less hardware

Flexibility – expansion or mid-span splicing

- Use less NEMA-recommended structural supports at expansion joint, significantly reducing material and labour costs
- Unique, reinforced design eliminates the need to drill and install additional hardware on the flange, saving time during installation
- Nylon washers make movement easier and reduce friction
- No lubrication of siderail required during installation or maintenance



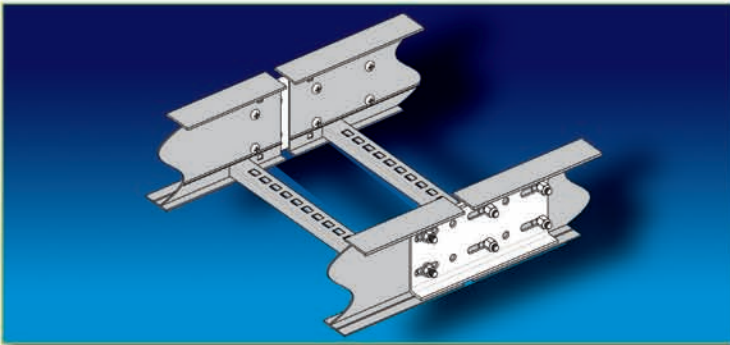
Thomas & Betts. Your best connection for innovative solutions.

Super strength, superior design

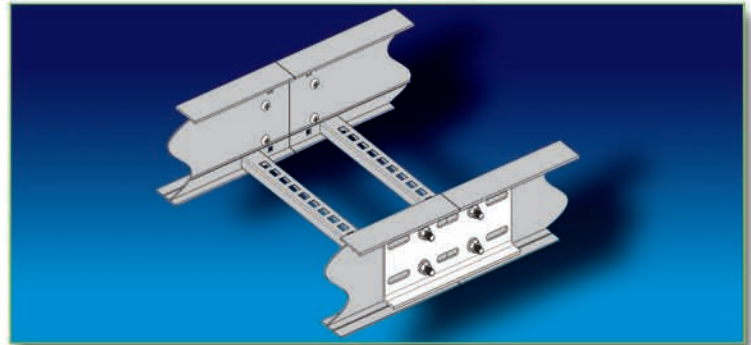
- Extra-wide (13") high-strength, heat-treated aluminum
- Unique design maximizes rigidity, resistance and overall strength
- Tested and rated for 6" aluminum side rails, Series AH36-AH66
- Nylon washers make movement easier and reduce friction
- No hardware required for installation on flange
- Allows for true contraction/expansion under full loads
- No lubrication of the side rail required during installation or maintenance
- Plate is pre-drilled for both expansion and mid-span applications
- Supplied with all hardware required for both types of installation

One splice plate, two solutions

EXPANSION SPLICE



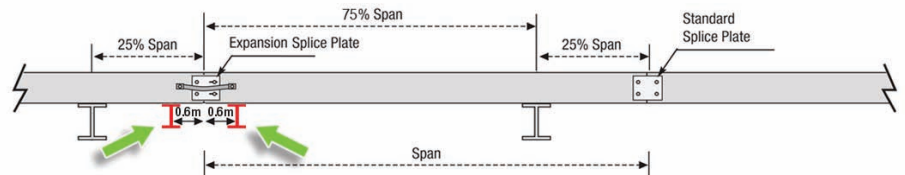
MID-SPAN SPLICE



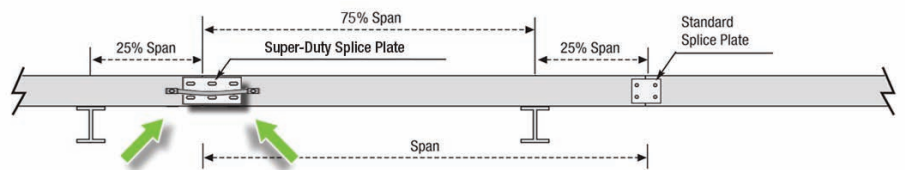
N.B.: For purposes of illustration, bonding jumper not shown but is required at expansion joints.

Expansion splicing - eliminate the need for additional supports

NEMA INSTALLATION WITH ADDITIONAL SUPPORTS



NO ADDITIONAL SUPPORTS NEEDED WITH SUPER-DUTY SPLICE PLATE™



The **Super-Duty Splice Plate™** comes complete with all hardware required, for either expansion or mid-span splicing. Kit includes :

- 2 Super-Duty Splice Plates™
- 12 ribbed-neck carriage bolts
- 8 nylon insert locknuts
- 8 serrated flanged locknuts
- 12 nylon washers (spacers)



ONE
CATALOGUE
NUMBER

ABW6SDP

Atlantic Provinces

Thomas & Betts Limited
Tel.: (902) 450-1307
Toll Free: 1-877-862-4357
Fax: (902) 450-1309

Quebec

Thomas & Betts Limited
Tel.: (450) 466-1102
Toll Free: 1-800-465-1399
Fax: (450) 466-1163

Ontario

Thomas & Betts Limited
Tel.: (905) 858-1010
Toll Free: 1-877-291-7771
Fax: (905) 858-1080

Manitoba/Saskatchewan

Thomas & Betts Limited
Tel.: (604) 598-9811
Toll Free: 1-866-540-8220
Fax: (604) 598-9840

Alberta

Thomas & Betts Limited
Tel.: (780) 424-7092
Toll Free: 1-888-664-5666
Fax: (780) 424-7093
Toll Free: 1-866-424-4082

British Columbia

Thomas & Betts Limited
Tel.: (604) 598-9811
Toll Free: 1-866-540-8220
Fax: (604) 598-9840