

## Tray Star HLT series hazardous location fittings for tray cable

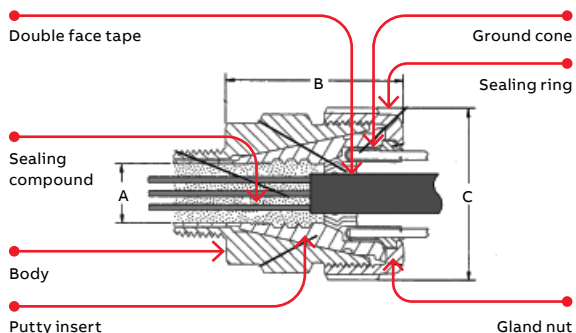
The Canadian Electrical Code states that tray cable in hazardous locations can be used either within the cable tray, or outside the tray – provided there is additional protection. The Tray Star fitting was designed and engineered for either application and comes complete with the bushing, ground cone and sealing ring for different product applications.

### Ease of installation

Installation is quick and easy. When used on metallic liquidtight conduit, the fitting hub size correlates with that of the conduit trade size. (i.e. ½ in. fitting accommodates ½ in. conduit). The bushings, when utilized, are designed to accommodate a broad range of tray cable diameters. Either liquid or putty sealing compound can be used for a positive, gastight seal. The compound is ordered separately to allow for flexibility in making the correct selection for various types of installations. The sealing compounds cure in just a few hours. The Tray Star fitting also has disconnect capability: the cable can be disconnected and reconnected after being sealed.



Outside tray – Tray cable must be protected within conduit and flexible liquidtight metallic conduit. In this case, the connector bushing is simply replaced with a ground cone/sealing ring to terminate the assembly.



With conduit

The unique hexagonal gland nut is conveniently grooved for screwdriver installation in extremely cramped areas. The gland nut is also clearly identified with the catalogue number and CSA approvals. It is also anodized a red colour to identify it as a hazardous location, tray cable fitting.

### Superior construction

Tray Star fittings have a low-profile compact design and are made of copper-free aluminum for long-lasting trouble-free service. Fittings are precision machined for superior fit and ease of installation.

### Materials

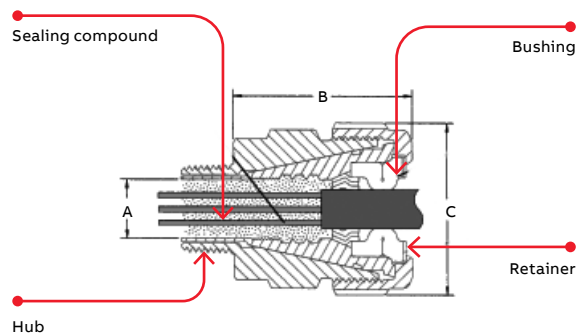
- Aluminum: The catalogue numbers listed on the following page relate to aluminum fittings.

### Certifications

- Type HLA. CSA certified Class I, Division 2, Groups A, B, C and D; Class II, Division 2, Groups E, F and G; Class III, Division 2, enclosure type 4 SL (integral seal).



Inside tray – Used with a neoprene bushing, Tray Star terminates tray cable within the tray itself.



With bushing

## Tray Star HLT series hazardous location fittings for tray cable

### Ordering information



Cat. no.	Hub size (in.)	Range over jacket (in.)		Conduit trade size (in.)	Approx. compound required*		Dimensions (in.)		
		Min.	Max.		Putty / liquid SC65/SC4-KIT-1 (cc)	A Throat dia.	B Overall	C Dim.	
HLT050DATA †	½	0.250	0.310	½	7	0.505	1.870	1.625	
HLT050 †	½	0.300	0.400	½	7	0.505	1.870	1.625	
HLT075 †	¾	0.320	0.570	¾	15	0.707	2.140	2.075	
HLT100 †	1	0.400	0.750	1	23	0.932	2.270	2.290	
HLT125 †	1¼	0.625	1.000	1¼	45	1.263	2.750	2.840	
HLT150 †	1½	0.780	1.200	1½	68	1.493	3.000	3.275	
HLT200 †	2	1.000	1.560	2	112	1.950	3.200	3.640	
4-250TC	2½	1.700	2.200	2½	175	2.250	3.800	4.000	
4-300TC	3	2.150	2.700	3	359	2.750	3.860	4.690	
4-350TC	3½	2.650	3.230	3½	536	3.280	4.100	5.220	
4-400TC	4	3.180	3.790	4	690	3.840	4.000	5.630	

† Not UL Listed

\* Sealing compound not included with HLT-series. Order separately.

SC65 putty supplied with each TC-series fitting. SC4-KIT-1 liquid sealing compound not approved for use with TC-series.

TC-series is suitable for use with tray cable only and cannot be used with conduit.

### Sealing compounds

Cat. no.	Description	Volume (cubic centimeter)
SC4-KIT-1	Liquid-type sealing compound (includes pouch of sealing compound with integral spout and fiber damming material).	50



Cat. no.	Description	Volume (cubic centimeter)
SC65	Putty-type sealing compound (cut-to-length stick)	34



For more details, refer to the installation/instruction sheet.

**Suitable for use on cables with a maximum of four conductors (including ground).** We do not recommend SC65 for use with shielded cables. Quantity of compound required will vary according to cable conductor fill.

Note - ABB hazardous locations fittings with integral seals (STX, STEX and HLT series) are UL and CSA certified only when used with SC4-KIT-1 or SC65 sealing compounds. No other sealing compounds have been tested, certified or listed.