

## Insulated female disconnects DIN 46245



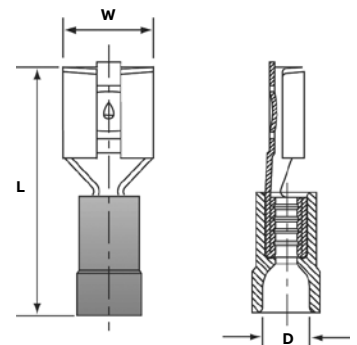
### Technical information

<b>Material</b>	Brass
<b>Plating</b>	Tin-plated
<b>Metal barrel</b>	Brazed seam to prevent barrel separation
<b>Insulation</b>	PC = Polycarbonate
<b>Temperature resistance</b>	115 °C / 125 °C (for PVC insulation 65 °C / 75 °C)
<b>Colour coding of the insulation</b>	According to the wire size (DIN)
<b>Cable insertion</b>	Easy entry

Cat. no.	Wire size range (mm <sup>2</sup> )	Male tab size (mm)	Colour	Dimensions (mm)			Wt. (g/100)	Qty. (pieces)	Crimping tool
				L	D	W			
RA28	0.5–1.5	2.8 x 0.8	Red	18.5	3.3	3.5	60	100	ERG2001A, WT2124Y
RA29	0.5–1.5	2.8 x 0.5		18.5	3.3	3.5	60	100	ERG2001A, WT2124Y
RA48**	0.5–1.5	4.8 x 0.8		19.0	3.7	5.7	82	100	ERG2001A, WT2124Y
RA49**	0.5–1.5	4.8 x 0.5		19.0	3.7	5.7	83	100	ERG2001A, WT2124Y
RA63	0.5–1.5	6.3 x 0.8		20.0	4.0	7.6	96	100	ERG2001A, WT2124Y
RB48**	1.5–2.5	4.8 x 0.5	Blue	19.0	4.4	5.7	91	100	ERG2001A, WT2124Y
RB49**	1.5–2.5	4.8 x 0.8		19.0	4.4	5.7	87	100	ERG2001A, WT2124Y
RB63	1.5–2.5	6.3 x 0.8		20.0	4.5	7.6	106	100	ERG2001A, WT2124Y
RC63	4.0–6.0	6.3 x 0.8	Yellow	24.0	6.4	7.6	183	100	ERG2001A, WT2124Y
RC95**	4.0–6.0	9.5 x 1.2		31.0	6.2	11.0	233	100	ERG2001A, WT2124Y

\*\*Non-brazed, with support sleeve and PVC insulation, not easy entry

### Diagram



## Insulated male disconnects DIN 46245



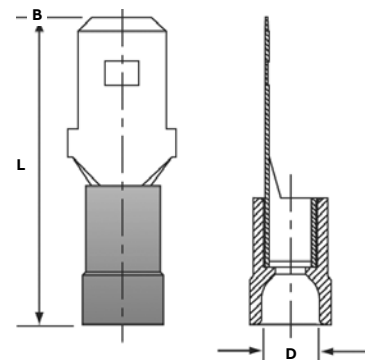
### Technical information

<b>Material</b>	Brass
<b>Plating</b>	Tin-plated
<b>Metal barrel</b>	Brazed seam to prevent barrel separation
<b>Insulation</b>	PC = Polycarbonate
<b>Temperature resistance</b>	115 °C / 125 °C (for PVC insulation 65 °C / 75 °C)
<b>Colour coding of the insulation</b>	According to the wire size (DIN)
<b>Cable insertion</b>	Easy entry

Cat. no.	Wire size range (mm <sup>2</sup> )	Male tab size (mm)	Colour	Dimensions (mm)		Wt. (g/100)	Qty. (pieces)	Crimping tool
				L	D			
RA63M	0.5–1.5	6.3 x 0.8	Red	22.0	4.0	107	100	ERG2001A, WT2124Y
RB63M	1.5–2.5	6.3 x 0.8	Blue	22.0	4.5	107	100	ERG2001A, WT2124Y
RC63M**	4.0–6.0	6.3 x 0.8	Yellow	25.0	6.3	155	100	ERG2001A, WT2124Y

\*\*PVC insulation. No easy entry and non-brazed, with brass support sleeve

### Diagram



## Fully insulated female disconnects DIN 46245



### Technical information

<b>Material</b>	Brass
<b>Plating</b>	Tin-plated
<b>Metal barrel</b>	Non-brazed, with brass support sleeve
<b>Insulation</b>	PA = Polyamide Ideal for harsh environments, provides excellent chemical, impact and abrasion resistance
<b>Temperature resistance</b>	85 °C / 105 °C
<b>Colour coding of the insulation</b>	According to the wire size (DIN)

Cat. no.	Wire size range (mm <sup>2</sup> )	Male tab size (mm)	Colour	Dimensions (mm)			Wt. (g/100)	Qty. (pieces)	Crimping tool
				W	L	D			
RA28V	0.5–1.5	2.8 x 0.8	Red	5.0	19.3	3.8	110	100	ERG2001A, WT2124Y
RA29V	0.5–1.5	2.8 x 0.5		5.0	19.3	3.8	110	100	ERG2001A, WT2124Y
RA48V	0.5–1.5	4.8 x 0.8		7.4	20.2	3.6	115	100	ERG2001A, WT2124Y
RA49V	0.5–1.5	4.8 x 0.5		7.4	20.2	3.6	115	100	ERG2001A, WT2124Y
RA63V**	0.5–1.5	6.3 x 0.8		8.8	21.0	4.0	123	100	ERG2001A, WT2124Y
RB48V	1.5–2.5	4.8 x 0.8	Blue	7.1	19.5	3.9	120	100	ERG2001A, WT2124Y
RB49V	1.5–2.5	4.8 x 0.5		7.1	19.5	3.9	120	100	ERG2001A, WT2124Y
RB63V**	1.5–2.5	6.3 x 0.8		8.8	21.0	4.5	132	100	ERG2001A, WT2124Y
RC63V	4.0–6.0	6.3 x 0.8	Yellow	9.0	26.0	5.3	215	100	ERG2001A, WT2124Y

\*\*Easy entry and brazed barrel, polycarbonate insulator

### Diagram

