

ESLT Series

6, 12, 24V T-bar unit



Features

Fully recessed units for T-bar mounting in suspended ceilings.

The **ESLT Series** battery units are designed for T-bar ceiling grid installation. This slim-line, unobtrusive unit is ideally suited for any commercial location where there is limited wall space and where the greater directional flexibility of ceiling-mounted heads is needed to provide greater light distribution.

- Rugged steel cabinet with corrosion-resistant undercoating.
- Battery and charger are concealed above the ceiling level in the unit cabinet
- Removable panel provides easy access to battery and circuitry
- Test switch and LED indicators are mounted on the visible bottom panel
- Units mount quickly and easily in standard 2' x 2' or 2' x 4' grids without any additional hardware
- Solid-state pulse-type charger – current-limited, temperature-compensated, short-circuit proof and reverse-polarity protected
- Unit comes standard with electronic lockout and brownout circuits
- Sealed dust-proof transfer relay, test switch and LED indicator lights
- Long-life, maintenance-free lead acid battery
- NEXUS® compatible (for more information on NEXUS®, please consult your sales representative)
- CSA C22.2 No. 141 certified
- Advanced diagnostics capabilities (specific load requirements)
- **Warranty details at: www.emergi-lite.ca**



Typical specifications

Supply and install a complete emergency lighting system as described herein and shown on the drawings.

The **Emergi-Lite® Smart Diagnostic** Micro controller board shall supply the rated load for a minimum of a 30 minutes to 87.5% of the rated battery voltage. The unit shall be rated 120V or 347V, 60 Hz and be CSA listed. The unit shall have an output of _____ V.

The charger shall be fully computer tested and its charge voltage factory set to $\pm 1\%$ tolerance. Chargers with field-adjusted potentiometers are not acceptable. A pulse-type charger shall be employed to promote long battery life and reduce the potential for grid corrosion. The charger shall provide a continuous high charge to recharge the battery and when the battery is at full capacity, the charger will shut off. Periodically the charger shall provide a pulse of energy to keep the battery topped off. The charger shall be current limited, temperature compensated, short-circuit proof and reverse polarity protected. The unit shall be furnished with an electronic lockout circuit, which will connect the battery when the AC circuit is activated, and an electronic brownout circuit, which will activate the emergency lights when utility power dips below 75% of nominal voltage. A low voltage battery protection circuit shall be provided and will disconnect the battery from the fused output circuit at the end of discharge. The unit shall self-test for 1 minute every 30 days, 10 minutes every 6 months and 30 minutes every 12 months. The unit shall be capable of full recharge in compliance with a CSA specifications. The unit shall be furnished with a sealed dust tight relay, a test switch and seven diagnostic LED indicator lights to continuously monitor the status of the unit: Battery Failure, Battery Disconnected, Charger Failure, Lamp Failure, Service Alarm, AC "ON", Charger High Rate. The unit shall be T-bar mounted and come complete with tool-less emergency lighting heads requiring no tools to adjust or aim.

The unit shall be **Emergi-Lite®** model: _____.

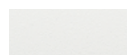
Replacement lamps

Ordering code	Lamp type	Voltage/wattage
580.0104-E	MR16, LED	12V-5W
580.0093-E	MR16, LED	12V-4W
580.0097-E	MR16, LED	6V-4W
580.0122-E	MR16, LED	6V-5W
580.0098-E	MR16, LED	24V-4W
580.0100-E	MR16, LED	24V-6W
580.0106-E	MR16, LED	12V-6W

Housing colour



Black



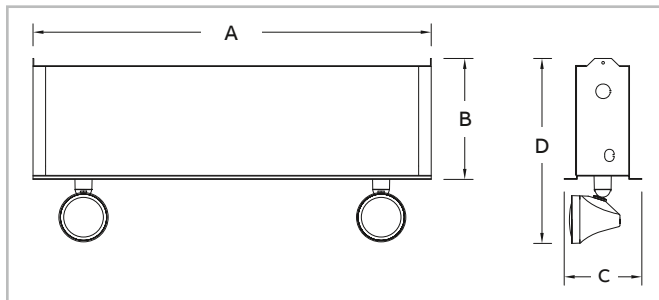
Factory white

ESLT Series

6, 12, 24V T-bar unit

Dimensions

Dimensions are approximate and subject to change.



Cabinet	Dimensions			
	A	B	C	D
Large cabinet	23-3/4" (60.3 cm)	7-1/4" (18.4 cm)	7-1/8" (18.1 cm)	10-5/8" (27.0 cm)
Small cabinet	23-3/4" (60.3 cm)	7-1/4" (18.4 cm)	4-5/8" (11.7 cm)	10-5/8" (27.0 cm)

Power consumption and unit rating

Model	AC specs	Wattage capacity				
		30 min	1H00	1H30	2H00	4H00
06ESLT36	0.10/0.04 A	36	21	15	12	6
06ESLT72	0.22/0.08 A	72	42	30	24	12
06ESLT108	0.22/0.08 A	108	63	45	36	18
06ESLT180	0.22/0.08 A	180	105	75	60	30
12ESLT36	0.09/0.03 A	36	21	15	12	6
12ESLT72	120/347VAC 0.15/0.06 A	72	42	30	24	12
12ESLT100	0.34/0.12 A	100	58	42	33	17
12ESLT144	0.40/0.14 A	144	84	60	48	24
12ESLT216	0.41/0.14 A	200	117	83	67	33
24ESLT144	0.55/0.20 A	144	84	60	48	24
24ESLT288	0.67/0.23 A	288	168	120	96	48

Ordering information

Series	Capacity	Colour	Voltage	Options	# of heads	Head style/wattage
06ESLT= 6V	36= 36W (S)	Blank= factory white	-2= 277VAC input Blank= 120/347VAC input	A= ammeter	/0= no heads	150LA= deco head, MR16 LED, 6V-4W ¹
	72= 72W (S)			CT= cab-tire	/1= one head	150LB= deco head, MR16 LED, 6V-5W ¹
	108= 108W (S)	BK= black		D= time delay	/2= two heads	150LG= deco head, MR16 LED, 12V-4W ¹
	180= 180W (L)			NEXRF= wireless NEXUS® system interface ¹	/3= three heads	150LI= deco head, MR16 LED, 12V-5W ¹
12ESLT= 12V	36= 36W (S)			LW= twist-lock plug ²		150LJ= deco head, MR16 LED, 12V-6W ¹
	72= 72W (S)			P= light activated test switch		150LL= deco head, MR16 LED, 24V-4W ¹
	100= 100W (S)			T= lamp disconnect (programmable)		LA= MR16 LED, 6V-4W
	144= 144W (S)			TB= DC terminal block		LB= MR16 LED, 6V-5W
	216= 216W (L)			TBAC= AC terminal block		LG= MR16 LED, 12V-4W
24ESLT= 24V	144= 144W (L)			TBACDC= AC/DC terminal block		LI= MR16 LED, 12V-5W
	288= 288W (L)			U= auto-diagnostics ¹		LJ= MR16 LED, 12V-6W
				UN= auto-diagnostics, non-audible ¹		LL= MR16 LED, 24V-4W
				V= voltmeter		LM= MR16 LED, 24V-6W

Example: 06ESLT108U/2LI

¹Minimum lamp load required: 20% of unit capacity
Not all options available with the NEXUS® system. Please consult your sales representative.
²120V is standard

¹Polar white or black cabinets only