

Lux-Ray™ LED Series

Remote fixture rugged, versatile, sophisticated



Features

- Four-LED light engine with redundant connections
- Powder-coated die-cast aluminum construction
- Clear polycarbonate lens allows for maximum lumen output
- Surface wall mount
- Certified to the CSA 22.2 No.141-15 standard
- NEMA-3R damp and wet locations
- Operating temperature -40°C to + 50°C

Options

- Forward-throw light distribution
- Dual-mode: normal and emergency LED lighting
- High-lumen output
- Photo-switch: dusk-to-dawn control of normal lighting
- Infrared remote control (normal lighting)
- **Warranty details at: www.emergi-lite.ca**



Photometric performance

Table A: Spacing for average 1fc/ National Building Code, Canada

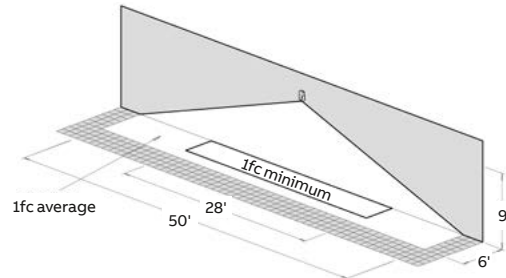
Model	Mounting height	Wattage capacity	
		Single	Centre-to-centre
Standard	9'	6' X 50'	6' X 50'
With option -H	11'	6' X 60'	6' X 60'
With option -FT	12'	6' X 40'	3' X 70'
With option -FTH	15'	6' X 50'	-

Indoor reflectance: 80/50/20 and 10-ft wide corridor.
Outdoor reflectance: 0/30/10

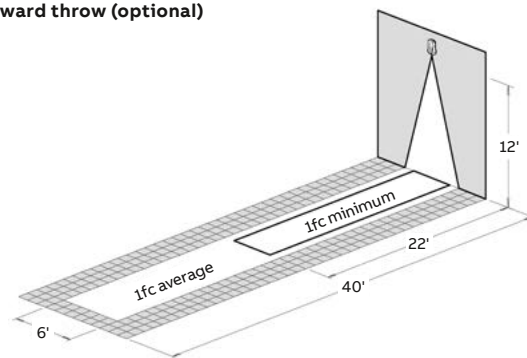
Note: The illumination level meets ALL the requirements of the National Building Code-Canada and the Life Safety Code (NFPA 101):

- 1) Average of 1 foot-candle (10.7 lux) or more
- 2) Minimum at any point of 0.1 foot-candle (1.07 lux) or more
- 3) Maximum-to-minimum illumination uniformity ratio of 40:1 or less

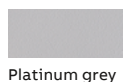
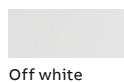
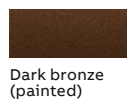
Wide beam (standard)



Forward throw (optional)



Housing colour

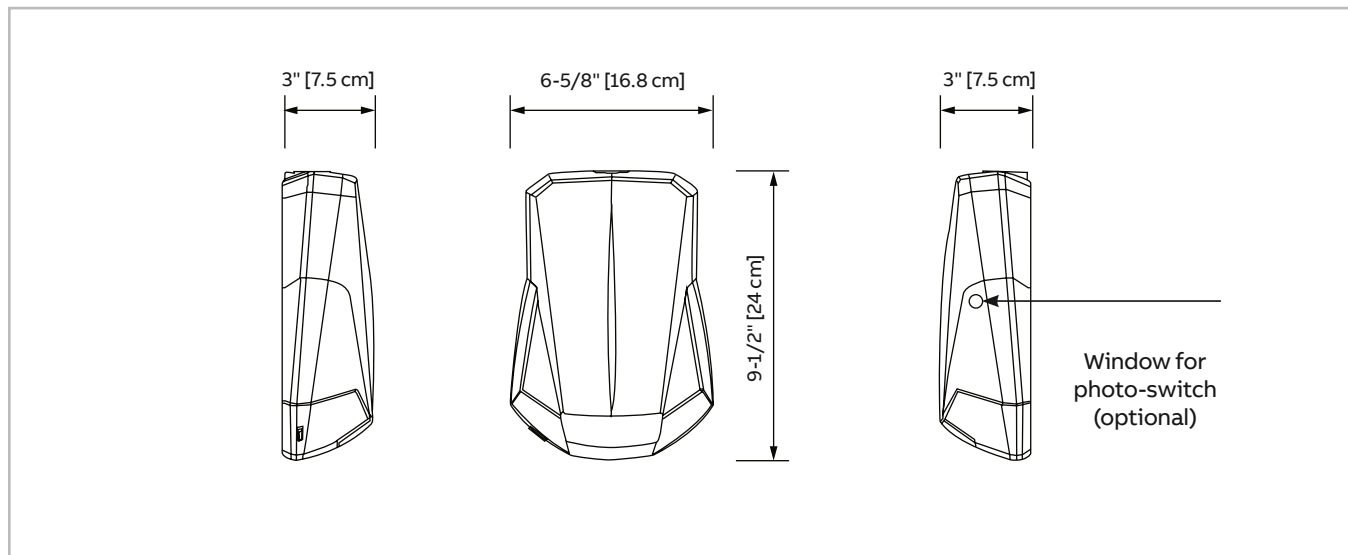


Lux-Ray™ LED Series

Remote fixture rugged, versatile, sophisticated

Dimensions

Dimensions are approximate and subject to change.



Power consumption and unit rating

Model type	AC specs: 120/347VAC				6-12VDC remote Power (max)
	Normal lighting		Emergency lighting		
	Current (max)	Power (max)	Current (max)	Power (max)	
ACSD, SD, SD-H	0.12/ 0.05 A	12W	0.05/0.02 A	5W	
SD-CW	-	-	0.16/0.06 A	16W	NiMH battery
ACSD-CWP, -CW-RC		N/R ¹	0.24/0.10 A	24W	

¹Note: Only unswitched AC input; normal lighting with photo-switch or remote control

Ordering information

Series	Function: remote fixtures (-40... +50°C)	Colour	Options
LUX= Lux-Ray™ LED		BK = black BZ = dark bronze OW = off white PG = platinum grey	-2 = 277VAC 60Hz input -FT = forward throw lighting -H = high lumen output (max. 30°C) -P = photo-switch, normal lighting (models AC, ACDC only) -RC = remote control - infrared (models AC, ACDC only) ¹

Example: LUXACDCBK-H-P

¹Remote control keypad (TB-RC1-E) ordered separately.