

IPS Single Phase Series

Interruptible emergency lighting inverter system 3KVA –15KVA



Features

- PWM/Power Mosfet technology
- Self-testing/self-diagnostic
- User programmable with password protection
- User programmable variable time delay
- Optional 100% normally off output
- RS485 MODBUS RTU communication port
- Micro-processor controlled
- 30, 60, 90, 120 minutes run times
- Summary alarm form C dry contact
- Generator compatibility
- Electronic and magnetic ballast compatible
- Automatic event, test and alarm log
- LCD display
- Maintenance free standard batteries
- Forced air cooling during emergency and recharge mode only
- Off when on standby
- Approvals:
 - CSA C22.2 No. 141-15 - Emergency lighting equipment
 - CSA C22.2 No. 107.3 - Uninterruptible power systems
 - UL 1778 - Uninterruptible power systems



Electrical/mechanical characteristics for 30 minutes back-up time

Power rating KVA/KW	Effic. at full load %	Max. input current (A) ⁽¹⁾				Heat loss in normal mode (BTU/HR)	Batt. VDC	Batt. ADC	No. of batt. ⁽¹⁾	IPS cabinet dimensions			Batt. cabinet dimensions			IPS cabinet weight KG ⁽²⁾	Batt. cabinet weight KG (empty) ⁽²⁾	Battery weight KG ⁽²⁾	Total system weight KG ⁽²⁾	
		120V	240V	277V	347V					W"	H"	D"	W"	H"	D"					
3.0	98%	42	21	18	14	546	120	34	10	30	71	27	NA	NA	NA	NA	240	NA	105	345
6.0	98%	67	33	29	23	546	120	68	20	30	71	27	NA	NA	NA	NA	290	NA	210	500
9.0	98%	92	46	40	32	546	120	101	10	30	71	27	NA	NA	NA	NA	340	NA	372	712
12.0	98%	117	58	51	40	546	120	135	20	30	77	27	1	30	77	27	390	140	550	1080
15.0	98%	142	71	61	49	546	120	168	20	30	77	27	1	30	77	27	440	140	550	1130

¹For 30 min. discharge time. For other discharge times, consult factory.

²Batteries are installed in the IPS cabinet for 3 to 9.0KVA systems, for 30 minutes only.

Ordering information

Series	System voltage	KVA/KW	Run time	External circuit breaker	Options
E= Series	1= 120-120 input-output 2= 120/240-120/240 (3 wire in-out) 3= 277-277 4= 347-347	A= 3 B= 6 C= 9 D= 12 E= 15 ¹	3= 30 minutes 6= 60 minutes 9= 90 minutes 12= 120 minutes	B= no breakers N####= normally on F####= normally off First two digits= Qty. 01 to 99 max (specify) Last two digits= Amp rating 10, 15, 20, 25... (specify)	A= fast recovery charge C= remote alarm panel E= output trip alarm G= "inverter on" dry contact H= normally off full capacity output I= extended battery warranty ¹ K= anchor mounting kit L= drip shield M= second output terminal block N= normally on & normally off output ² O= Backet Gateway
	Other voltages available using external transformer (sold separately)	¹ For 120 minutes run time, minimum 120/240VAC in/out		Example: N1020	

Example: E1A3N1020

¹ Consult your sales representative

²Full capacity available on either output

IPS Single Phase Series

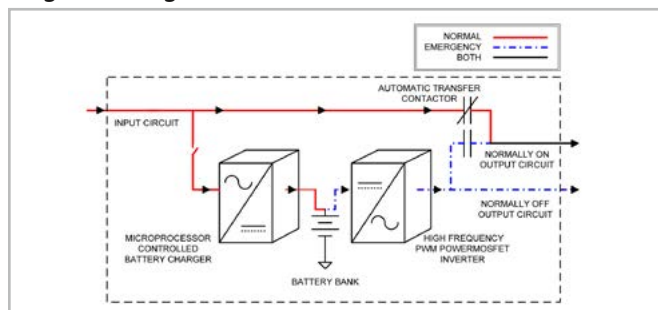
Interruptible emergency lighting inverter system 3KVA –15KVA

System specifications

General	
Design	Stand-by. PWM inverter type utilizing Power Mosfet technology with 500ms transfer time.
Control	Microprocessor controlled, 4 x 20-character display with touch pad controls & functions
Metering	Input & output voltage, battery voltage, battery & output current, output VA, temperature
Communications	RS-485 MODBUS RTU Port (DB-9)
Electrical input	
Voltage	120, 277, 347VAC 2-wire or 120/240 3-wire, 1-phase
Input frequency	+/-2% for +/-25% load step change, +/-3% for a 50% load step change, recovery within 3 cycles
Electrical output	
Voltage	120, 277, 347VAC 2-wire or 120/240 3-wire, 1-phase
Dynamic voltage	+/-2% for +/-25% load step change, +/-3% for a 50% load step change, recovery within 3 cycles
Harmonic distortion	<5% THD for linear load
Output frequency	60Hz +/- 2Hz during emergency mode
Load power factor	0.7 lag to 0.9 lead
Inverter overload	120% continuous, 150% for 1 minute and 200% for 10 seconds
Protection	Optional external distribution circuit breaker
Crest factor	3
Environmental conditions	
Storage/transport	32°F to 104°F (0°C to 40°C) without batteries 68°F to 86°F (20°C to 30°C) with batteries ⁽¹⁾
Operating temperature	System operates safely from 32°F to 104°F (0°C to 40°C) but optimum operation is between 68°F and 77°F (20°C to 25°C). Battery performance can be affected by temperature.
Altitude	<10,000 feet (above sea level) without de-rating
Relative humidity	0 to 95% non-condensing
Audible noise	45 dBA at 1m from surface in emergency mode

⁽¹⁾Max. 3 months at 77°F-86°F (25°C-30°C)

Single line diagram



Cabinets

Modular design, freestanding NEMA type 1 steel cabinets powder coated for corrosion and scratch resistance. Front access design through hinged lockable doors requires only 42" front, 2" back and side clearance and 12" top clearance without drip shield. Top conduit entry Gland Plate.

Inverter

Using Power Mosfet/PWM technology the inverter converts DC voltage supplied by the batteries to AC voltage of a precise stabilized amplitude and frequency, suitable for most sophisticated electrical equipment. True sinusoidal output waveform with very low distortion (less than 5% for linear loads). Overload capability of 120% continuous, 150% for 1 minute and 200% for 10 seconds.

Charger

Fully automatic, temperature compensated, charger recharges fully discharged batteries in maximum 24 hours at nominal AC input voltage. AC input current limiting and over-voltage protection included.

Battery

System is provided standard with 10 year, maintenance free, sealed valve regulated, lead calcium batteries. 30, 60, 90 & 120 min. standard discharge time at full load under normal operating temperature (20°C to 25°C). Low voltage disconnect protection included. No special ventilation required.

Supervision

Automatic self tests consist of a 2-minute monthly, 1/3 discharge at 6 months and full annual discharge. The front-mounted control panel includes, a 4-line 20-character LCD display with a keypad to control and monitor the operation of the system. This allows the operator to easily "watch" system functions as they occur and check on virtually any aspect of the system's operation. Standard RS485 MODBUS RTU diagnostic interface.

Alarms

Battery High/Low, Low Voltage Disconnect, Battery Disconnect, Maintained Lamp Off, Charger Fail, Supply From Battery, System Inhibit, Circuit Breaker Trip, Module Breaker Trip, Inverter Undervoltage, Inverter Overvoltage, Output Overcurrent, Hi Temp, Over Temp, Unit in Bypass, Inverter Frequency Control Failed, Processor Reset.

Optional features

External Output Circuit Breakers, Output Trip Alarms, Extended Battery Warranty, 12 Hours Fast Recharge, Remote Meter Panel, Ethernet Port, Nexus® System Interface. Dripshield, Remote Alarm Panel, Normally Off Output, Anchor Mounting Kit, Dry Contact Relay, Bacnet Gateway.

Factory start-up

Includes one additional year of warranty. See warranty conditions.

Warranty

(Full limited warranty conditions available upon request)

Limited manufacturer warranty is one-year, parts and labor, for system electronics. Battery warranty is one year full plus 9 years pro-rata for a total of 10 years, under normal operating conditions. System must be put in service within 6 months from ship date in order to validate warranty. Consult factory for other battery types.