



## CMPS-L Series

Thermoplastic pictogram exit sign

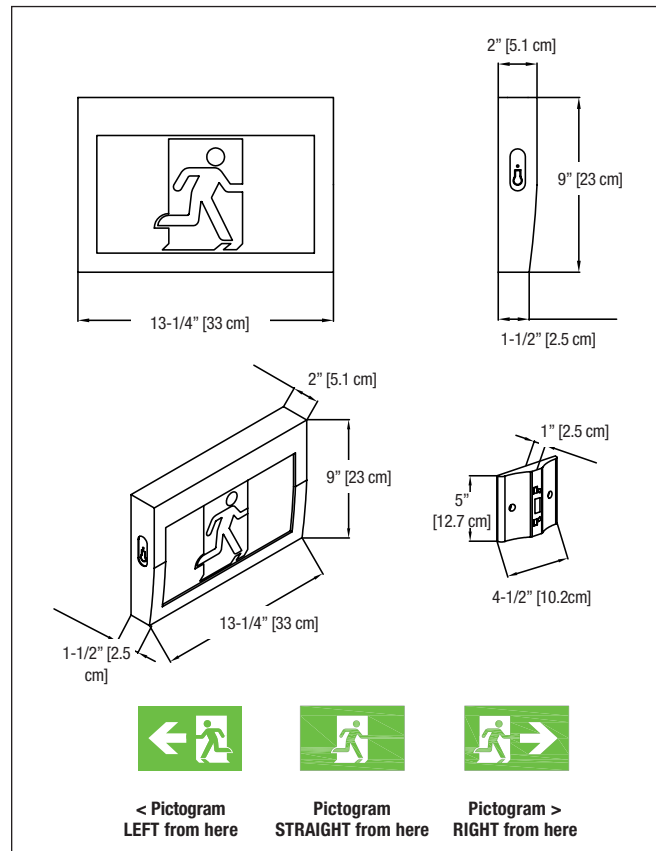


### FEATURES

- Energy efficient, long-life white LEDs consuming 1.5W at normal operation
  - 120/277/347VAC, 6-24VDC Input
  - Universal single and double face
  - Automatic, temperature compensated, pulse type charger
  - Low voltage disconnect prevents over discharge of battery
  - Automatic brownout protection
  - Battery lock-out prevents discharge during installation
  - Comes standard with three pictogram legends for direction selection
  - Red LED charger monitor
  - Injection-molded off-white thermoplastic ABS housing
  - Fast and easy installation with snap-together design
  - Ceiling, wall or end mount installation
  - CSA C22.2 no.141-10 listed
  - Selection of self-powered using a 3.6V Ni-Cd battery and AC/DC model
- See warranty details at: [www.tnb.ca/en/brands/lumacell](http://www.tnb.ca/en/brands/lumacell)**

### DIMENSIONS

Dimensions are approximate and subject to change.



### POWER CONSUMPTION AND UNIT RATING

SERIES	AC SPECS				DC SPECS
	MODEL	WATTAGE	CURRENT	EFFICIENCY	
CM-PS	AC/DC	120V, 50/60 Hz	1.5W	0.01A	0.96PF
		277V, 50/60 Hz	2W	0.01A	0.92PF
		347V, 50/60 Hz	2.4W	0.01A	0.91PF
	Selfpowered	120V, 50/60 Hz	2.5W	0.24A	0.98PF
		277V, 50/60 Hz	3W	0.014A	0.93PF
		347V, 50/60 Hz	3.5W	0.017A	0.92PF

### ORDERING INFORMATION

SERIES	VOLTAGE	BRAND
CM-PS	-ACDC= 120/277/347VAC, 6-24VDC -SP= 120/277/347VCA, self-powered (120 mins.)	-L= Lumacell

EXAMPLE: CM-PS-ACDC-L