



E

Carlton® - Enclosures and junction boxes



—
E

Carlton - Enclosures and junction boxes

Table of contents

Section E

Carlson nonmetallic junction boxes	E4
Circuit Safe® NEMA enclosures	E11
Circuit Safe JIC enclosures	E21
Circuit Safe pushbutton enclosures	E26
Circuit Safe enclosure accessories	E30
Himeline® enclosures	E34
Technical information	E49

To give you a better way to install parking lot lights we started at the bottom

Curved lid J-box

Anyone who's worked with parking lot light poles knows the problem. Those tiny, integral hand holes for electrical wiring can really slow a project down. But now, there's a better answer for shopping centers, car dealerships, sports arenas, office complexes or anywhere you need pole lighting for large parking lot areas – the Carlon nonmetallic curved lid J-Boxes.



Carlon curved lid J-Boxes are listed in accordance with UL 50 and CSA C22.2 No.94.1 specifications for Electrical Enclosures as well as NEMA 1, 2, 3, 3R, 3S, 4, 4X, 12 and 13 ratings. They are available in sizes 8" x 8" or 12" x 12". Both the base and lid are made from PVC to eliminate rust and corrosion, and both are supplied with tamper-resistant screws.

Designed specifically for use with 24" diameter concrete piers, J-Boxes are installed, along with all necessary conduit and fittings, when piers are poured. This gives installers a giant junction box at the base of every pole to ease wiring, facilitate circuit management and provide easy post-installation maintenance. Just take a closer look, and you'll see why our nonmetallic J-Boxes are a better choice for you.

Install Carlon Weatherproof covers

Features and benefits:

- NEMA 1, 2, 3, 3R, 3S, 4, 4X, 12, 13
- UL® Listed and CSA Certified
- Paintable lid
- Dividers available to separate high and low voltage, and can be retrofitted into existing applications
- Lids provide locations to mount weatherproof covers:
 - 8" x 8" – one location
 - 12" x 12" – three locations
- Nonconductive and noncorrosive
- Designed for a 24" diameter concrete pier

Note: The J-box can also be installed in concrete piers from 18" to 36" in diameter. Contact your ABB representative for installation details.



- 01 Site lighting plan with J-box
- 02 Site lighting plan without J-box

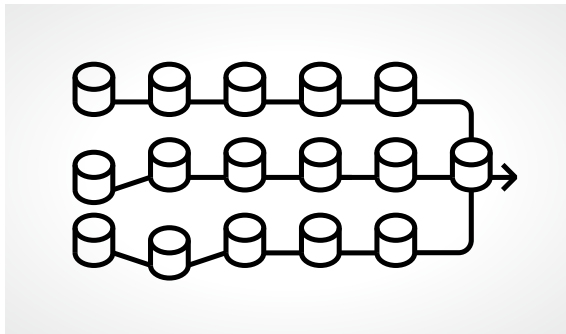
Faster, easier wiring for greater productivity
 Once your J-Boxes are installed, you can speed projects along by pre-wiring before poles arrive. Or, you can install poles first and use them to mount cable-pulling equipment – a particular advantage for long, difficult wire pulls. Of course, all the extra hand room our J-Boxes offer makes splicing much easier and faster than working through cramped pole-access holes.



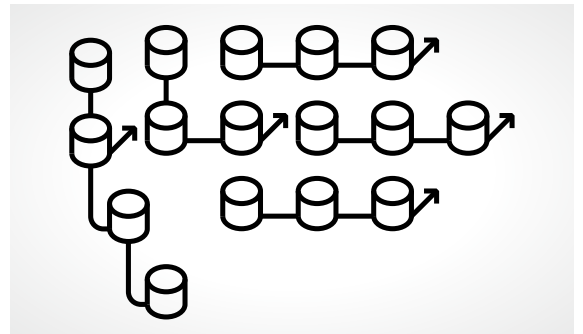
More flexibility, fewer home runs and easier maintenance, too
 Extra room also gives you splicing space for options like zone lighting or to reduce the number of home runs, which can lower trenching and associated materials costs by up to 30%.

In addition, the box lids provide locations to mount receptacles and weatherproof covers for even more flexibility. For easy maintenance, fixture protection can be placed at the base, and if need be, poles can even be removed and replaced in the middle of the circuit without affecting overall lighting.

- 03 J-box, with all conduit and fittings placed as desired, is temporarily attached to the concrete form – base and lid inside.
- 04 Remove form after concrete has been poured and allowed to cure.
- 05 Pop off the J-box lid, leaving an 8" x 8" x 4" or 12" x 12" x 4" access area, depending on the J-box selected.
- 06 After wiring is completed, the lid is replaced to complete the installation.



— 01



— 02

Easy to install



— 03



— 04



— 05



— 06

J-Box

Assemblies



Cat. No.	Size (in.)	Std. Ctn.	Std. Wt. (lb)
E88C24	8 x 8 x 4	6	28.3
E1212C24	12 x 12 x 4	2	9.7

Accessories



Replacement lids

Cat. No.	Size (in.)	Std. Ctn.	Std. Wt. (lb)
E88L24	8 x 8	1	2.1
E1212L24	12 x 12	1	2.3



J-Box dividers are used to separate high- and low-voltage devices and solvent cement into place.

Dividers

The National Electrical Code® (NEC®) and the Canadian Electrical Code (CEC) allow electrical conductors to share an outlet box when the conductors and communication cables are separated by a barrier within the box.

Cat. No.	Std. Ctn.	Std. Wt. (lb)
▶ E88DIV (For use with Cat. No. E88C24)	6	2.1
▶ E1212DIV (For use with Cat. No. E1212C24)	2	2.3

NEC and National Electrical Code are registered trademarks of the National Fire Protection Association, Inc.

Molded nonmetallic boxes

6P rated

Nonmetallic junction boxes are UL Listed with a NEMA 6P rating per Section 314.29, Exception of the National Electrical Code® and CSA Certified per Section 12 of the Canadian Electrical Code. Manufactured from PVC or PPO thermoplastic molding compound and featuring foam in-place gasketed lids attached with stainless steel screws, these rugged enclosures offer all the corrosion resistance and physical properties you need for direct-burial applications.

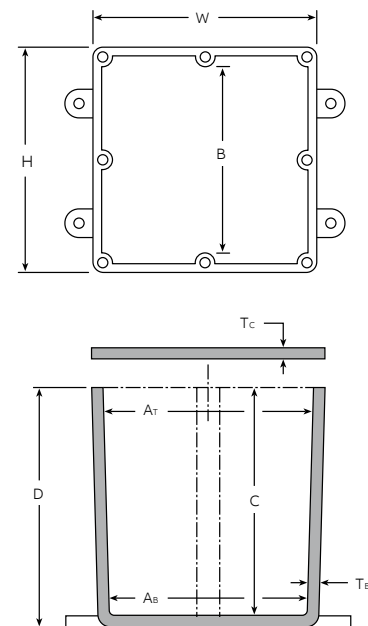
Type 6P enclosures are intended for indoor or outdoor use, primarily to provide a degree of protection against contact with enclosed equipment, falling dirt, hose-directed water, entry of water during prolonged submersion at a limited depth and external ice formation.



Features and benefits:

- All Carlon junction boxes are UL Listed/CSA Certified and maintain a minimum of a NEMA Type 4/4X Rating

Diagrams



Molded nonmetallic junction boxes – 6P rated

Cat. No.	Size H x W x D (in.)	Std. Ctn.	Dimensions (in.)					Material		Std. Wt(lb)	
			Min. AT	Min. AB	Min. B	Min. C	T _b	T _c	PVC		Thermo- plastic
E989NNJ*	4 x 4 x 2	10	3 ¹¹ / ₁₆	3 ⁵ / ₈	N/A	2	0.160	0.155	X		3
E987N*	4 x 4 x 4	10	3 ¹¹ / ₁₆	3 ¹ / ₂	N/A	4	0.160	0.155	X		4
E989NNR*	4 x 4 x 6	10	3 ¹¹ / ₁₆	3 ³ / ₈	N/A	6	0.160	0.200	X		5
E989PPJ*	5 x 5 x 2	10	4 ¹¹ / ₁₆	4 ¹ / ₂	N/A	2	0.110	0.150		X	3
E987R-CAR*	6 x 6 x 4	2	6	5 ⁵ / ₈	N/A	4	0.190	0.190		X	3
E989RRR-UPC*	6 x 6 x 6	8	5 ⁵ / ₈	5 ³ / ₈	N/A	6	0.160	0.150		X	14
E989N-CAR	8 x 8 x 4	1	8	8	N/A	4	0.185	0.190		X	2
E989SSX-UPC	8 x 8 x 7	2	7 ²¹ / ₃₂	7 ⁵ / ₁₆	N/A	7	0.160	0.150		X	6
E989UUN	12 x 12 x 4	3	11 ⁵ / ₈	11 ¹ / ₂	11 ¹ / ₈	4	0.160	0.150		X	12
E989R-UPC	12 x 12 x 6	2	11 ¹⁵ / ₁₆	11 ⁷ / ₈	11 ⁷ / ₁₆	6	0.265	0.185		X	10

* UL Listed
NEC and National Electrical Code are registered trademarks of the National Fire Protection Association, Inc.

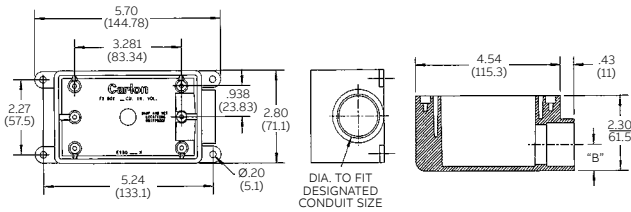
Single-gang FS Device boxes



FSEB-050

Type FSE single-gang box

- For dead-end terminations
- Mounting feet included
- 18 cu. in. volume
- Grounding strap included



Type FSE



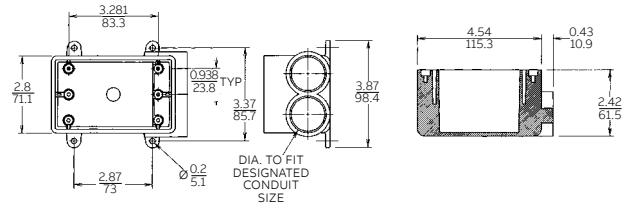
Cat. no.	Colour	Size (in.)	Std. ctn.
FSEB-050	Grey	½	12
FSEB-075	Grey	¾	12
FSEB-100	Grey	1	8



FSSB-050

Type FSS single-gang box

- For multiple dead-end terminations or where additional support is required in stub-up applications
- Mounting feet included
- 18 cu. in. volume
- Grounding strap included



Type FSS



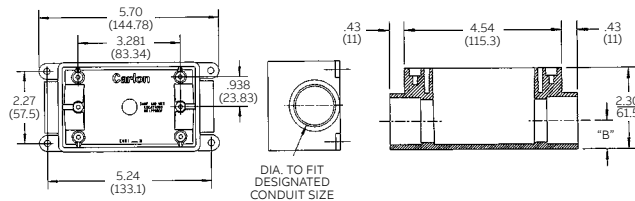
Cat. no.	Colour	Size (in.)	Std. ctn.
FSSB-050	Grey	½	12
FSSB-075	Grey	¾	12
FSSB-100	Grey	1	8



FSCB-050

Type FSC single-gang box

- For through terminations
- Mounting feet included
- 18 cu. in. volume
- Grounding strap included



Type FSC



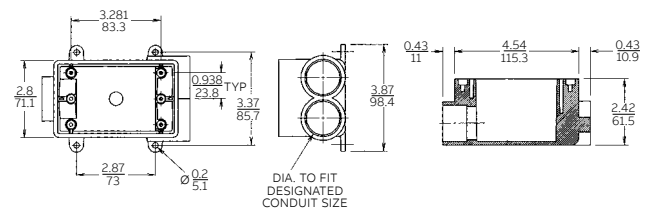
Cat. no.	Colour	Size (in.)	Std. ctn.
FSCB-050	Grey	½	12
FSCB-075	Grey	¾	12
FSCB-100	Grey	1	8



C979EFN

Type FSCC single-gang box

- For multiple through terminations or where additional support is required in stub-up applications
- Mounting feet included
- 18 cu. in. volume
- Grounding strap included



Type FSCC



Cat. no.	Colour	Size (in.)	Std. ctn.
C979EFN	Grey	¾	15
C979FFN	Grey	1	15

Single-gang FD

Deep device boxes



C9801EN

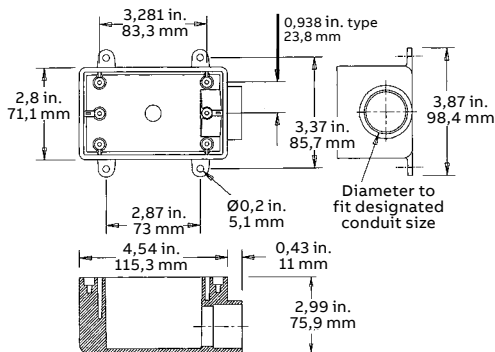
Type FDE single-gang deep box

- For dead-end terminations where large device or where additional support is required
- Mounting feet included
- 25 cu. in. volume
- Grounding strap included



Cat. no.	Colour	Size (in.)	Std. ctn.
C9801DN	Grey	½	10
C9801EN	Grey	¾	10

Diagrams



C9811EN

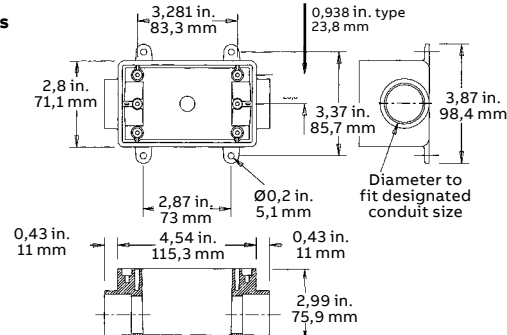
Type FDC single-gang deep box

- For through terminations where large device or where additional support is required
- Mounting feet included
- 25 cu. in. volume
- Grounding strap included



Cat. no.	Colour	Size (in.)	Std. ctn.
C9811EN	Grey	¾	10
C9811FN	Grey	1	10

Diagrams



FDB-BLANK

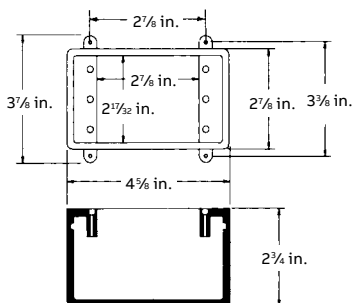
Type FD single-gang deep box

- For terminations where hub requirements vary according to application
- Hubs can be added easily with flared wood bit or hole saw
- Mounting feet included
- 18 cu. in. volume
- Grounding strap included



Cat. no.	Colour	Size (in.)	Std. ctn.
FDB-BLANK	Grey	-	6

Diagrams



WPRB-T050-W

Round T box

- With five ½" threaded holes
- Mounting feet included
- Use with nonmetallic wiring systems only
- Grounding strap included
- Can be used with Red•Dot lampholder



Cat. no.	Colour	Size (in.)	Std. ctn.
WPRB-T050-G	Grey	½	8
WPRB-T050-W	White	½	8



WPRNDCV-G

Round T box flat cover

- Gasket included



Cat. no.	Colour	Std. ctn.
WPRNDCV-G	Grey	20
WPRNDCV-W	White	20

Two-gang FS

Device boxes



FSEB2-075

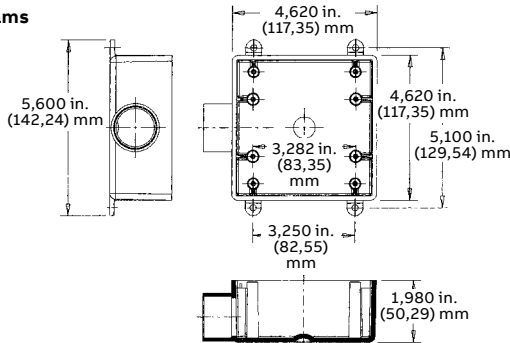
Type FSE 2-gang box

- For dead-end terminations where two devices or additional capacity is required
- Mounting feet included
- 32 cu. in. volume
- Grounding strap included



Cat. no.	Colour	Size (in.)	Std. ctn.
FSEB2-050	Grey	½	5
FSEB2-075	Grey	¾	10
FSEB2-100	Grey	1	4

Diagrams



FSCB2-050

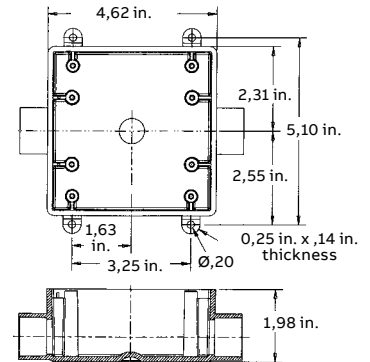
Type FSC 2-gang box

- For through terminations where two devices or additional capacity is required
- Mounting feet included
- 32 cu. in. volume
- Grounding strap included



Cat. no.	Colour	Size (in.)	Std. ctn.
FSCB2-050	Grey	½	4
FSCB2-075	Grey	¾	10
FSCB2-100	Grey	1	10

Diagrams



CE9802

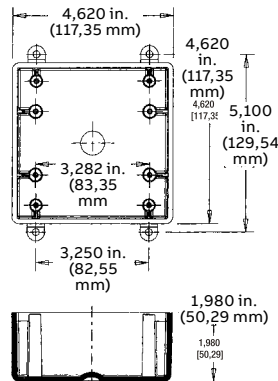
Type FS 2-gang box

- For terminations where hub requirements vary according to application
- Hubs can be added easily with flared wood bit or hole saw
- Mounting feet included
- 32 cu. in. volume
- Grounding strap included



Cat. no.	Colour	Size (in.)	Std. ctn.
CE9802	Grey	-	10

Diagrams



WPB2-T7550-G

2-Gang T box

- With three ½" and four ¾" threaded holes
- Mounting feet included
- Use with nonmetallic wiring systems only
- Grounding strap included
- Can be used with Red•Dot lampholder



Cat. no.	Colour	Size (in.)	Std. ctn.
WPB2-T7550-G	Grey	½-¾	6
WPB2-T7550-W	White	½-¾	6

Circuit Safe

NEMA Enclosures

Circuit Safe NEMA Enclosures are the flagship product of the Carlon Enclosure offering. Molded in tough, durable polycarbonate resin, these enclosures lead the market in terms of design, durability, aesthetics and economy of use.

Ranging in size from 6" x 4" x 4" to 16" x 14" x 6", all Circuit Safe NEMA products are UL 50 Listed and meet Types 4X, 12 and 13. These enclosures utilize recognized materials that carry an ultraviolet rating of F1, ensuring a very long, stable service life when installed outdoors. In addition, the use of polycarbonate material means that these enclosures enjoy an extremely high impact-resistance rating...almost three times more impact resistant than traditional fiberglass enclosures.

Installation of components is made easy, too, with the panel adjuster kits and swing-out panel kits. Subpanels can be stacked or suspended at any depth within the enclosure, maximizing the space available for component mounting. Machining polycarbonate is also safe and easy. There are no splintering problems or airborne fibers as is typical when machining traditional fiberglass products.

Lighter, stronger, easier, safer to use and better looking. Check out Carlon's Circuit Safe NEMA line today.

Features and benefits:

- 100% nonmetallic construction, including hinges
- Sturdy SS latches install without penetration of the enclosure base
- Clear covers are available, which eliminate the need for window kits
- All cover screws are captive
- Panel suspension system enables the installation of panels at any depth, including stacking of multiple panels
- Swing panels are also available
- Available in junction boxes, external hinge and hidden hinge versions
- Subpanels are available in steel, PVC or aluminum
- Nonmetallic mounting rails for easy installation
- Less than half the weight of metal enclosures, 25% lighter than fiberglass, easier to handle and less expensive to ship
- Full modification services are available

Applications:

- Any outdoor applications, especially where sunlight resistance is an issue
- Applications where water is present
- Applications where damage during shipment, installation or use is an issue
- Any applications where it is necessary to view internal components through a clear cover
- Applications where weight is an issue
- Applications where the ability to pass wireless signals is needed
- Applications where rust and corrosion are an issue

Examples:

- Septic and pump controls
- Wireless system component protection
- Marina and sea-side installations
- Controls that require through-cover viewing of readouts and dials
- Machine controls/process controls
- Food and beverage process controls
- Security system controls

Standards:

- Meets or exceeds NEMA Types 4X, 12 and 13
- Listed per UL 50 and CSA C22.2 No.94.1 as Types 4X, 12 and 13



Circuit Safe

NEMA Enclosures

NEMA enclosure styles

—
01 Screw cover

—
02 External-hinge cover

—
03 Hidden-hinge cover

Circuit Safe NEMA enclosures are available in three different cover options and a wide range of sizes. From our screw-cover style enclosures to our hidden-hinge cover style enclosures, Carlon has a Circuit Safe NEMA enclosure to meet your application-specific needs.

Styles

- Screw cover
- External hinge
- Hidden hinge

Cover color options

- Opaque
- Clear

Material

- Polycarbonate (bases and lids)



—
01



—
02



—
03

Screw-on covers

Meets NEMA 1, 2, 3, 3S, 3X, 3SX, 4, 4X, 12



Opaque cover



Clear cover



Enclosure Kits

Opaque cover* Cat. No.	Clear cover* Cat. No.	Size (in.)	Back panels**		Std. Ctn.	Std. Wt. (lb) Opaque/Clear
			Steel	PVC		
NS644	NV644	6 x 4 x 4	JP64	JP64P	1	Opa 1.8/Clr 1.9
NS664	NV664	6 x 6 x 4	JP66	JP66P	1	Opa 2.4/Clr 2.4
NS864	NV864	8 x 6 x 4	JP86	JP86P	1	Opa 2.9/Clr 2.8
NS884	NV884	8 x 8 x 4	JP88	JP88P	1	Opa 3.2/Clr 3.3
NS1084	NV1084	10 x 8 x 4	JP108	JP108P	1	Opa 4.0/Clr 3.9
NS1086	NV1086	10 x 8 x 6	JP108	JP108P	1	Opa 4.6/Clr 4.5
NS10106	NV10106	10 x 10 x 6	JP1010	JP1010P	1	Opa 5.3/Clr 4.9
NS12106	NV12106	12 x 10 x 6	JP1210	JP1210P	1	Opa 6.1/Clr 5.2
NS12126	NV12126	12 x 12 x 6	JP1212	JP1212P	1	Opa 6.8/Clr 6.1
NS14126	NV14126	14 x 12 x 6	JP1412	JP1412P	1	Opa 7.4/Clr 7.0
NS16146	NV16146	16 x 14 x 6	JP1614	JP1614P	1	Opa 9.2/Clr 8.1

* Include body, lid and mounting rail kit.

** Order back panels separately.



Individual Components

Enclosure base* Cat. No.	Enclosure size (in.)	Std. Ctn.	Std. Wt. (lb)	Enclosure lids		Std. Ctn.	Std. Wt. (lb)	Back panels**		Std. Ctn.
				Opaque lids	Clear lids			Steel Cat. No	PVC Cat. No	
NP644B	6 x 4 x 4	18	21	NS64L	NV64L	16	Opa 6.4/Clr 5.7	JP64	JP64P	1
NP664B	6 x 6 x 4	12	17	NS66L	NV66L	12	Opa 6.2/Clr 5.7	JP66	JP66P	1
NP864B	8 x 6 x 4	12	18	NS86L	NV86L	9	Opa 6/Clr 4.4	JP86	JP86P	1
NP884B	8 x 8 x 4	14	28	NS88L	NV88L	18	Opa 14/Clr 11.2	JP88	JP88P	1
NP1084B	10 x 8 x 4	12	26	NS108L	NV108L	12	Opa 13/Clr 11	JP108	JP108P	1
NP1086B	10 x 8 x 6	8	23	NS108L	NV108L	12	Opa 13/Clr 11	JP108	JP108P	1
NP1010B	10 x 10 x 6	6	20	NS1010L	NV1010L	11	Opa 14/Clr 12	JP1010	JP1010P	1
NP1210B	12 x 10 x 6	6	23	NS1210L	NV1210L	12	Opa 15/Clr 15	JP1210	JP1210P	1
NP1212B	12 x 12 x 6	5	22	NS1212L	NV1212L	10	Opa 15/Clr 14	JP1212	JP1212P	1
NP1412B	14 x 12 x 6	5	24	NS1412L	NV1412L	5	Opa 9/Clr 9	JP1412	JP1412P	1
NP1614B	16 x 14 x 6	4	31	NS1614L	NV1614L	5	Opa 11/Clr 11	JP1614	JP1614P	1

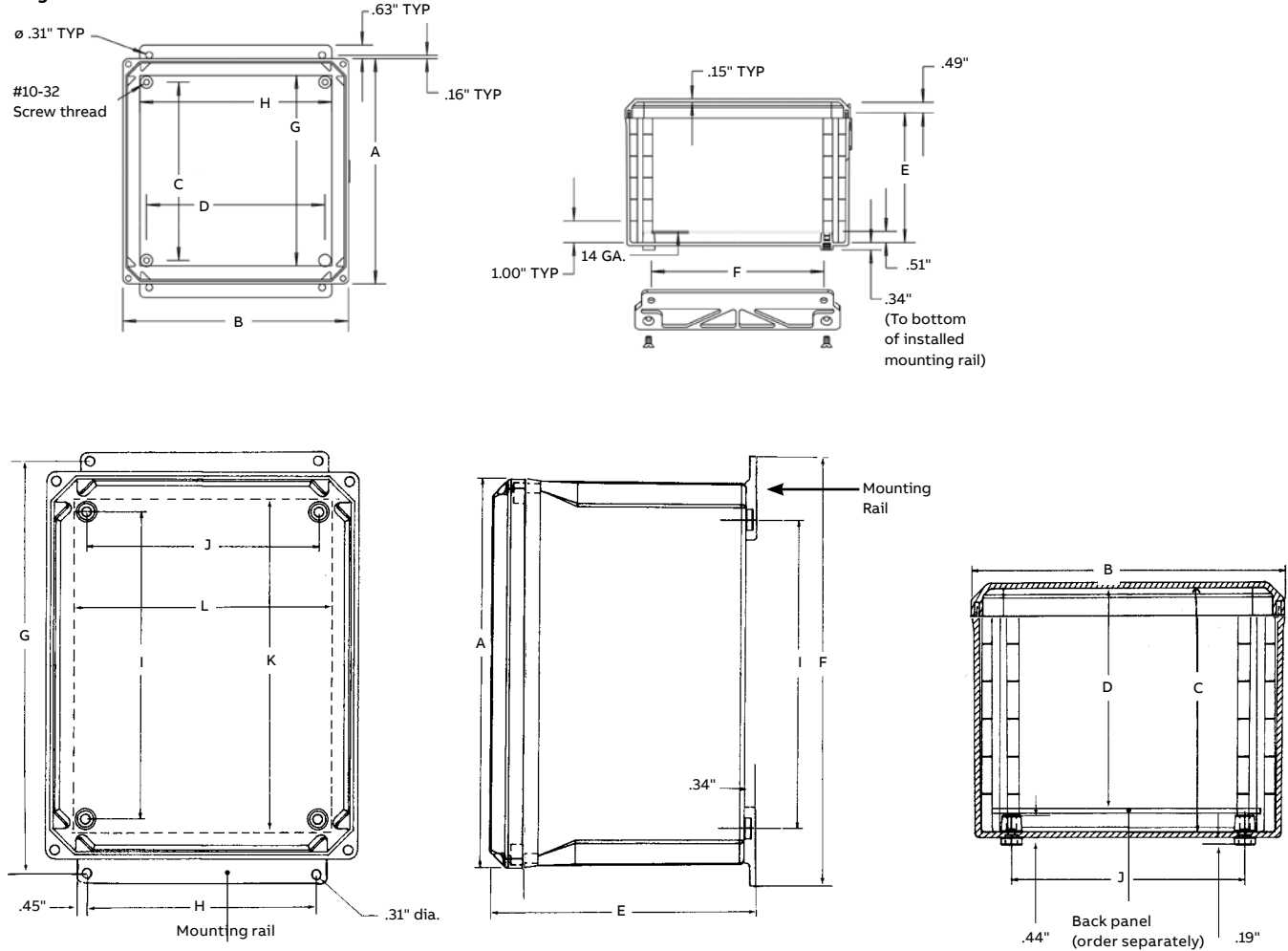
* Mounting rails are not included. See "mounting rails" on page E31.

** Order back panels separately.

Screw-on covers

Meets NEMA 1, 2, 3, 3S, 3X, 3SX, 4, 4X, 12

Diagrams



Individual components (continued)

Enclosure with		Enclosure size (In.)						Enclosure mounting hole spacing		Panel mounting hole spacing		Back panel size		Back panel** Cat. No	
Opaque lid Cat. No	Clear lid Cat. No	A	B	C	D	E	F	G	H	I	J	K	L	Steel	PVC
NS644	NV644	6.40	4.40	4.49	3.98	5.13	7.69	6.75	2.00	4.29	2.28	4.88	2.88	JP64	JP64P
NS664	NV664	6.40	6.40	4.49	3.98	5.13	7.69	6.75	4.00	4.28	4.28	4.88	4.88	JP66	JP66P
NS864	NV864	8.40	6.40	4.49	3.98	5.13	9.69	8.75	4.00	6.27	4.26	6.75	4.88	JP86	JP86P
NS884	NV884	8.40	8.40	4.49	3.98	5.13	9.69	8.75	6.00	6.30	6.30	6.75	6.88	JP88	JP88P
NS1084	NV1084	10.40	8.40	4.49	3.98	5.13	11.69	10.75	6.00	8.34	6.30	8.75	6.88	JP108	JP108P
NS1086	NV1086	10.40	8.40	6.49	5.98	7.13	11.69	10.75	6.00	8.34	6.30	8.75	6.88	JP108	JP108P
NS10106	NV10106	10.40	10.40	6.49	5.98	7.13	11.69	10.75	8.00	8.29	8.29	8.75	8.88	JP1010	JP1010P
NS12106	NV12106	12.40	10.40	6.49	5.98	7.13	13.69	12.75	8.00	10.30	8.28	10.75	8.88	JP1210	JP1210P
NS12126	NV12126	12.40	12.40	6.49	5.98	7.13	13.69	12.75	10.00	10.24	10.24	10.75	10.88	JP1212	JP1212P
NS14126	NV14126	14.40	12.40	6.49	5.98	7.13	15.69	14.75	10.00	12.26	10.24	12.75	10.88	JP1412	JP1412P
NS16146	NV16146	16.40	14.40	6.49	5.98	7.13	17.69	16.75	12.00	14.26	12.26	14.75	12.88	JP1614	JP1612P

* Include body, lid and mounting rail kit.

** Order back panels separately (10/32 - 3/8 back panel screws not supplied).



Hidden-hinge covers

Meets NEMA 1, 2, 3, 3S, 3X, 3SX, 4, 4X, 12



Opaque cover



Clear cover



Enclosure kits

Opaque cover* Cat. No.	Clear cover* Cat. No.	Size (in.)	Back panels**		Std. Ctn.	Std. Wt. (lb) Opaque/Clear
			Steel	PVC		
NH644	NI644	6 x 4 x 5†	JP64	JP64P	1	Opa 2.2/Clr 2.8
NH664	NI664	6 x 6 x 5	JP66	JP66P	1	Opa 2.7/Clr 3.2
NH864	NI864	8 x 6 x 5	JP86	JP86P	1	Opa 3.3/Clr 3.8
NH884	NI884	8 x 8 x 5	JP88	JP88P	1	Opa 3.8/Clr 3.8
NH1084	NI1084	10 x 8 x 5	JP108	JP108P	1	Opa 4.0/Clr 4.5
NH1086	NI1086	10 x 8 x 7	JP108	JP108P	1	Opa 5.2/Clr 5.1
NH10106	NI10106	10 x 10 x 7	JP1010	JP1010P	1	Opa 5.7/Clr 5.8
NH12106	NI12106	12 x 10 x 7	JP1210	JP1210P	1	Opa 6.9/Clr 6.1
NH12126	NI12126	12 x 12 x 7	JP1212	JP1212P	1	Opa 7.7/Clr 7.2
NH14126	NI14126	14 x 12 x 7	JP1412	JP1412P	1	Opa 8.3/Clr 7.9
NH16146	NI16146	16 x 14 x 7	JP1614	JP1614P	1	Opa 10.1/Clr 9.6

* Include body, cover assembly and mounting rail kit.

** Order back panels separately.

† 6 x 4 x 5 size not available with quick-release latches.



Individual components

Enclosure base*				Enclosure lids				Collars			Back panels**		Latches			
Cat. No.	Enclosure size (in.)	Std. Ctn.	Std. Wt. (lb)	Opaque lids Cat. No.	Clear lids Cat. No.	Std. Ctn.	Std. Wt. (lb)	Cat. No.	Std. Ctn.	Std. Wt. (lb)	Steel Cat. No.	PVC Cat. No.	Std. Ctn.	Steel latch Cat. No.	Non-metallic latch Cat. No.	Std. Ctn.
NP644B	6 x 4 x 5†	18	21	NH64L	NI64L	16	Opa 6.8/Clr 6.3	NH64C	16	6	JP64	JP64P	1	SSLS	NPLIS	25
NP664B	6 x 4 x 5	12	17	NH66L	NI66L	12	Opa 6.8/Clr 6.3	NH66C	12	5	JP66	JP66P	1	SSLS	NPLIS	25
NP864B	8 x 6 x 5	12	18	NH86L	NI86L	9	Opa 6.3/Clr 5.7	NH86C	9	4	JP86	JP86P	1	SSLS	NPLIS	25
NP884B	8 x 8 x 5	14	28	NH88L	NI88L	18	Opa 16/Clr 15	NH88C	9	3.6	JP88	JP88P	1	SSLS	NPLIS	25
NP1084B	10 x 8 x 5	12	26	NH108L	NI108L	12	Opa 13/Clr 12	NH108C	12	7.8	JP108	JP108P	1	SSLS	NPLIS	25
NP1086B	10 x 8 x 7	8	23	NH108L	NI108L	12	Opa 13/Clr 12	NH108C	12	7.8	JP108	JP108P	1	SSLS	NPLIS	25
NP1010B	10 x 10 x 7	6	20	NH1010L	NI1010L	11	Opa 14/Clr 13	NH1010C	11	7.5	JP1010	JP1010P	1	SSLS	NPLIS	25
NP1210B	12 x 10 x 7‡	6	23	NH1210L	NI1210L	12	Opa 17/Clr 6	NH1210C	12	8	JP1210	JP1210P	1	SSLS	NPLIS	25
NP1212B	12 x 12 x 7‡	5	22	NH1212L	NI1212L	10	Opa 17/Clr 16	NH1212C	10	7.7	JP1212	JP1212P	1	SSLS	NPLIS	25
NP1412B	14 x 12 x 7‡	5	24	NH1412L	NI1412L	5	Opa 10/Clr 10	NH1412C	5	4.7	JP1412	JP1412P	1	SSLS	NPLIS	25
NP1614B	16 x 14 x 7‡	4	31	NH1614L	NI1614L	5	Opa 13/Clr 12	NH1614C	5	5.6	JP1614	JP1614P	1	SSLS	NPLIS	25

* Mounting rails are not included. See "mounting rails" listed on page E30.

** Order back panels separately.

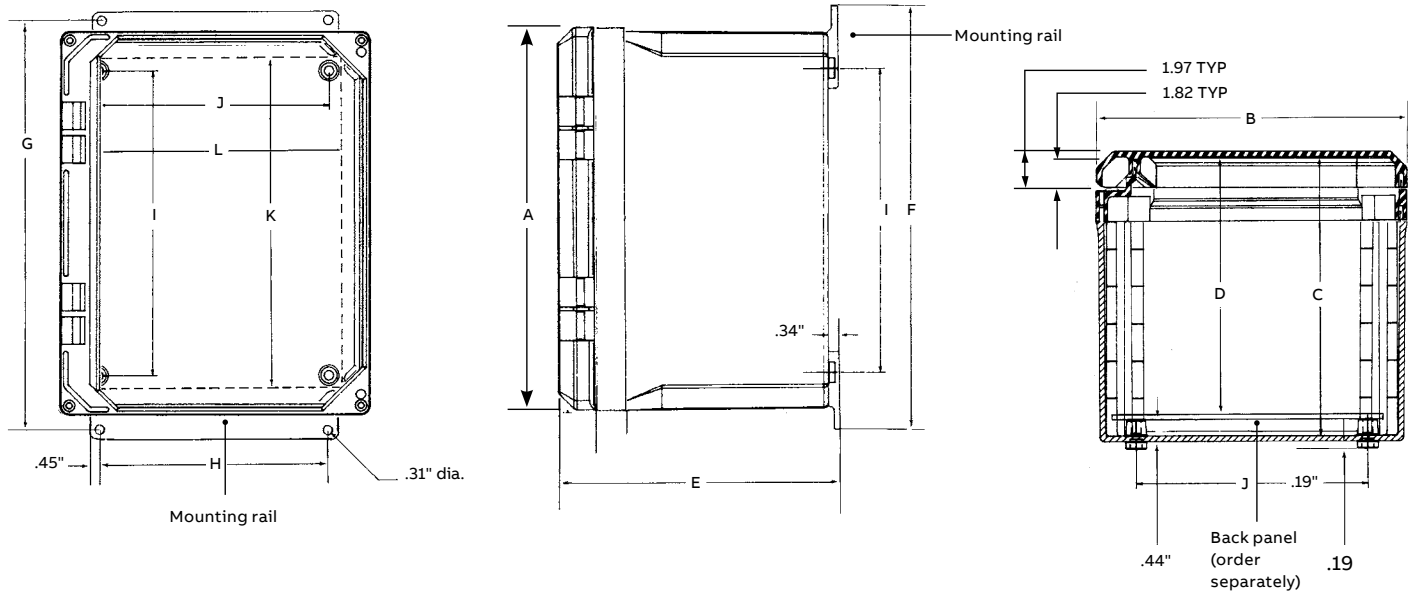
† 6 x 4 x 5 enclosures are not available with quick-release latches.

‡ Sizes 12 x 10 and larger require two (2) latches per enclosure.

Hidden-hinge covers

Meets NEMA 1, 2, 3, 3S, 3X, 3SX, 4, 4X, 12

Diagrams



Individual components (continued)



Enclosure with Opaque lid Cat. No*	Clear lid Cat. No*	Enclosure size (In.)						Enclosure mounting hole spacing		Panel mounting hole spacing		Back panel size		Back panel** Cat. No	
		A	B	C	D	E	F	G	H	I	J	K	L	Steel	PVC
NH644	NI644	6.40	4.40	5.30	4.79	5.94	7.69	6.75	2.00	4.29	2.28	4.88	2.88	JP64	JP64P
NH664	NI664	6.40	6.40	5.30	4.79	5.94	7.69	6.75	4.00	4.28	4.28	4.88	4.88	JP66	JP66P
NH864	NI864	8.40	6.40	5.30	4.79	5.94	9.69	8.75	4.00	6.27	4.26	6.75	4.88	JP86	JP86P
NH884	NI884	8.40	8.40	5.30	4.79	5.94	9.69	8.75	6.00	6.30	6.30	6.75	6.88	JP88	JP88P
NH1084	NI1084	10.40	8.40	5.30	4.79	5.94	11.69	10.75	6.00	8.34	6.30	8.75	6.88	JP108	JP108P
NH1086	NI1086	10.40	8.40	7.30	6.79	7.94	11.69	10.75	6.00	8.34	6.30	8.75	6.88	JP108	JP108P
NH10106	NI10106	10.40	10.40	7.30	6.79	7.94	11.59	10.75	8.00	8.29	8.29	8.75	8.88	JP1010	JP1010P
NH12106	NI12106	12.40	10.40	7.30	6.79	7.94	13.69	12.75	8.00	10.30	8.28	10.75	8.88	JP1210	JP1210P
NH12126	NI12126	12.40	12.40	7.30	6.79	7.94	13.69	12.75	10.00	10.24	10.24	10.75	10.88	JP1212	JP1212P
NH14126	NI14126	14.40	12.40	7.30	6.79	7.94	15.69	14.75	10.00	12.26	10.24	12.75	10.88	JP1412	JP1412P
NH16146	NI16146	16.40	14.40	7.30	6.79	7.94	17.69	16.75	12.00	14.26	12.26	14.75	12.88	JP1614	JP1612P

* Include body, lid and mounting rail kit.

** Order back panels separately (10/32 - 3/8 back panel screws not supplied).

External-hinge covers

Meets NEMA 1, 2, 3, 3S, 3X, 3SX, 4, 4X, 12



Opaque cover



Clear cover



Enclosure kits

Opaque cover* Cat. No.	Clear cover* Cat. No.	Back panels** Steel	Back panels** PVC	Size (in.)	Std. Ctn.	Std. Wt. (lb) Opaque/Clear
NJ664	NC664	JP66	JP66P	6 x 6 x 4	1	Opa 2.4/Clr 2.4
NJ864	NC864	JP86	JP86P	8 x 6 x 4	1	Opa 2.9/Clr 2.9
NJ884	NC884	JP88	JP88P	8 x 8 x 4	1	Opa 3.3/Clr 3.3
NJ1084	NC1084	JP108	JP108P	10 x 8 x 4	1	Opa 4/Clr 4
NJ1086	NC1086	JP108	JP108P	10 x 8 x 6	1	Opa 4.6/Clr 4.7
NJ10106	NC10106	JP1010	JP1010P	10 x 10 x 6	1	Opa 5.6/Clr 5.3
NJ12106	NC12106	JP1210	JP1210P	12 x 10 x 6	1	Opa 6.3/Clr 5.8
NJ12126	NC12126	JP1212	JP1212P	12 x 12 x 6	1	Opa 6.9/Clr 6.6
NJ14126	NC14126	JP1412	JP1412P	14 x 12 x 6	1	Opa 7.7/Clr 7
NJ16146	NC16146	JP1614	JP1614P	16 x 14 x 6	1	Opa 8.2/Clr 8

* Include body, lid and mounting rail kit.

** Order back panels separately.



Individual components

Enclosure base*	Enclosure lids				Back panels**				Latches				
	Enclosure size (in.)	Std. Ctn.	Std. Wt. (lb)	Opaque lids Cat. No.	Clear lids Cat. No.	Std. Ctn.	Std. Wt. (lb)	Steel Cat. No.	PVC Cat. No.	Std. Ctn.	Steel latch Cat. No.	Non-metallic latch Cat. No.	Std. Ctn.
NL664B	6 x 6 x 4	12	18	NJ66L	NC66L	12	Opa 5.0/Clr 5.9	JP66	JP66P	1	SSLS	NPLIS	25
NL864B	8 x 6 x 4	8	14	NJ86L	NC86L	9	Opa 6/Clr 5.3	JP86	JP86P	1	SSLS	NPLIS	25
NL884B	8 x 8 x 4	14	28	NJ88L	NC88L	18	Opa 15/Clr 13.5	JP88	JP88P	1	SSLS	NPLIS	25
NL1084B	10 x 8 x 4	12	32	NJ108L	NC108L	12	Opa 13/Clr 11.7	JP108	JP108P	1	SSLS	NPLIS	25
NL1086B	10 x 8 x 6	8	15	NJ108L	NC108L	12	Opa 13/Clr 11.7	JP108	JP108P	1	SSLS	NPLIS	25
NL1010B	10 x 10 x 6	6	20	NJ1010L	NC1010L	11	Opa 14/Clr 13	JP1010	JP1010P	1	SSLS	NPLIS	25
NL1210B	12 x 10 x 6 [‡]	6	24	NJ1210L	NC1210L	12	Opa 14/Clr 15	JP1210	JP1210P	1	SSLS	NPLIS	25
NL1212B	12 x 12 x 6 [‡]	5	21.8	NJ1212L	NC1212L	10	Opa 16/Clr 14	JP1212	JP1212P	1	SSLS	NPLIS	25
NL1412B	14 x 12 x 6 [‡]	4	19	NJ1412L	NC1412L	5	Opa 10/Clr 9	JP1412	JP1412P	1	SSLS	NPLIS	25
NL1614B	16 x 14 x 6 [‡]	4	31	NJ1614L	NC1614L	5	Opa 13.5/Clr 12	JP1614	JP1614P	1	SSLS	NPLIS	25

* Mounting rails are not included. See mounting rails on page E30.

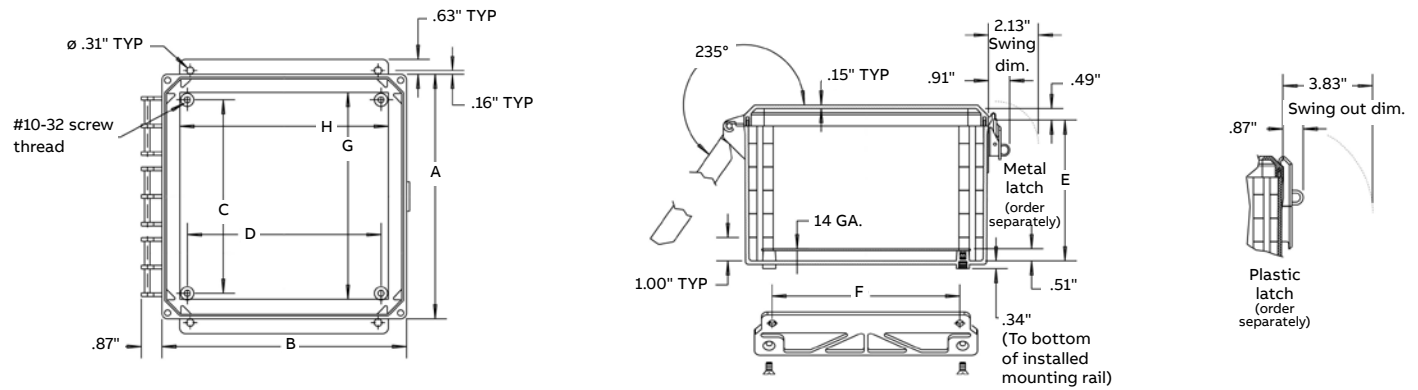
** Order back panels separately.

‡ Sizes 12 x 10 and larger require two (2) latches per enclosure.

External-hinge covers

Meets NEMA 1, 2, 3, 3S, 3X, 3SX, 4, 4X, 12

Diagrams



Individual components (continued)

Enclosure with Opaque lid Cat. No*	Clear lid Cat. No*	Enclosure size (In.)						Enclosure mounting hole spacing		Panel mounting hole spacing		Back panel size		Back panel** Cat. No.	
		A	B	C	D	E	F	G	H	I	J	K	L	Steel	PVC
NJ644	NC644	6.40	4.40	4.49	3.98	5.13	7.69	6.75	2.00	4.29	2.28	4.88	2.88	JP64	JP64P
NJ664	NC664	6.40	6.40	4.49	3.98	5.13	7.69	6.75	4.00	4.28	4.28	4.88	4.88	JP66	JP66P
NJ864	NC864	8.40	6.40	4.49	3.98	5.13	9.69	8.75	4.00	6.27	4.26	6.75	4.88	JP86	JP86P
NJ884	NC884	8.40	8.40	4.49	3.98	5.13	9.69	8.75	6.00	6.30	6.30	6.75	6.88	JP88	JP88P
NJ1084	NC1084	10.40	8.40	4.49	3.98	5.13	11.69	10.75	6.00	8.34	6.30	8.75	6.88	JP108	JP108P
NJ1086	NC1086	10.40	8.40	6.49	5.98	7.13	11.69	10.75	6.00	8.34	6.30	8.75	6.88	JP108	JP108P
NJ10106	NC10106	10.40	10.40	6.49	5.98	7.13	11.69	10.75	8.00	8.29	8.29	8.75	8.88	JP1010	JP1010P
NJ12106	NC12106	12.40	10.40	6.49	5.98	7.13	13.69	12.75	8.00	10.30	8.28	10.75	8.88	JP1210	JP1210P
NJ12126	NC12126	12.40	12.40	6.49	5.98	7.13	13.69	12.75	10.00	10.24	10.24	10.75	10.88	JP1212	JP1212P
NJ14126	NC14126	14.40	12.40	6.49	5.98	7.13	15.69	14.75	10.00	12.26	10.24	12.75	10.88	JP1412	JP1412P
NJ16146	NC16146	16.40	14.40	6.49	5.98	7.13	17.69	16.75	12.00	14.26	12.26	14.75	12.88	JP1614	JP1614P

* Include body, lid and mounting rail kit.

** Order back panels separately (10/32 - 3/8 Back Panel screws not supplied).



Quick Reference



Screw-on cover styles

Enclosure kits (no panel or latches)						Individual components	
Opaque lid	Clear lid	Body	Lid	Collar	Mtg. rails	Steel	PVC
NS644		NP644B	NS64L	N/A	NMK4V	JP64	JP64P
	NV644	NP644B	NV64L	N/A	NMK4V	JP64	JP64P
NS664		NP664B	NS66L	N/A	NMK6V	JP66	JP66P
	NV664	NP664B	NV66L	N/A	NMK6V	JP66	JP66P
NS864		NP864B	NS86L	N/A	NMK6V	JP86	JP86P
	NV864	NP864B	NV86L	N/A	NMK6V	JP86	JP86P
NS884		NP884B	NS88L	N/A	NMK8V	JP88	JP88P
	NV884	NP884B	NV88L	N/A	NMK8V	JP88	JP88P
NS1084		NP1084B	NS108L	N/A	NMK8V	JP108	JP108P
	NV1084	NP1084B	NV108L	N/A	NMK8V	JP108	JP108P
NS1086		NP1086B	NS108L	N/A	NMK8V	JP108	JP108P
	NV1086	NP1086B	NV108L	N/A	NMK8V	JP108	JP108P
NS10106		NP1010B	NS1010L	N/A	NMK10V	JP1010	JP1010P
	NV10106	NP1010B	NV1010L	N/A	NMK10V	JP1010	JP1010P
NS12106		NP1210B	NS1210L	N/A	NMK10V	JP1210	JP1210P
	NV12106	NP1210B	NV1210L	N/A	NMK10V	JP1210	JP1210P
NS12126		NP1212B	NS1212L	N/A	NMK12V	JP1212	JP1212P
	NV12126	NP1212B	NV1212L	N/A	NMK12V	JP1212	JP1212P
NS14126		NP1412B	NS1412L	N/A	NMK12V	JP1412	JP1412P
	NV14126	NP1412B	NV1412L	N/A	NMK12V	JP1412	JP1412P
NS16146		NP1614B	NS1614L	N/A	NMK14V	JP1614	JP1614P
	NV16146	NP1614B	NV1614L	N/A	NMK14V	JP1614	JP1614P



External-hinge cover styles

Enclosure kits (no panel or latches)						Individual components			
Opaque lid	Clear lid	Body	Lid	Collar	Mtg. Rails	Back panels		Latches (Qty. needed)	
						Steel	PVC	Steel	Nonmetallic
NJ644		NL644B	NJ64L	N/A	NMK4V	JP64	JP64P	SSLS (1)	NPL1S (1)
	NC644	NL644B	NC64L	N/A	NMK4V	JP64	JP64P	SSLS (1)	NPL1S (1)
NJ664		NL664B	NJ66L	N/A	NMK6V	JP66	JP66P	SSLS (1)	NPL1S (1)
	NC664	NL664B	NC66L	N/A	NMK6V	JP66	JP66P	SSLS (1)	NPL1S (1)
NJ864		NL864B	NJ86L	N/A	NMK6V	JP86	JP86P	SSLS (1)	NPL1S (1)
	NC864	NL864B	NC86L	N/A	NMK6V	JP86	JP86P	SSLS (1)	NPL1S (1)
NJ884		NL884B	NJ88L	N/A	NMK8V	JP88	JP88P	SSLS (1)	NPL1S (1)
	NC884	NL884B	NC88L	N/A	NMK8V	JP88	JP88P	SSLS (1)	NPL1S (1)
NJ1084		NL1084B	NJ108L	N/A	NMK8V	JP108	JP108P	SSLS (1)	NPL1S (1)
	NC1084	NL1084B	NC108L	N/A	NMK8V	JP108	JP108P	SSLS (1)	NPL1S (1)
NJ1086		NL1086B	NJ108L	N/A	NMK8V	JP108	JP108P	SSLS (1)	NPL1S (1)
	NC1086	NL1086B	NC108L	N/A	NMK8V	JP108	JP108P	SSLS (1)	NPL1S (1)
NJ10106		NL1010B	NJ1010L	N/A	NMK10V	JP1010	JP1010P	SSLS (1)	NPL1S (1)
	NC10106	NL1010B	NC1010L	N/A	NMK10V	JP1010	JP1010P	SSLS (1)	NPL1S (1)
NJ12106		NL1210B	NJ1210L	N/A	NMK10V	JP1210	JP1210P	SSLS (2)	NPL1S (2)
	NC12106	NL1210B	NC1210L	N/A	NMK10V	JP1210	JP1210P	SSLS (2)	NPL1S (2)
NJ12126		NL1212B	NJ1212L	N/A	NMK12V	JP1212	JP1212P	SSLS (2)	NPL1S (2)
	NC12126	NL1212B	NC1212L	N/A	NMK12V	JP1212	JP1212P	SSLS (2)	NPL1S (2)
NJ14126		NL1412B	NJ1412L	N/A	NMK12V	JP1412	JP1412P	SSLS (2)	NPL1S (2)
	NC14126	NL1412B	NC1412L	N/A	NMK12V	JP1412	JP1412P	SSLS (2)	NPL1S (2)
NJ16146		NL1614B	NJ1614L	N/A	NMK14V	JP1614	JP1614P	SSLS (2)	NPL1S (2)
	NC16146	NL1614B	NC1614L	N/A	NMK14V	JP1614	JP1614P	SSLS (2)	NPL1S (2)

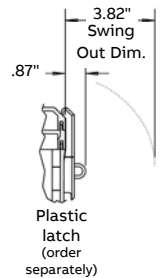
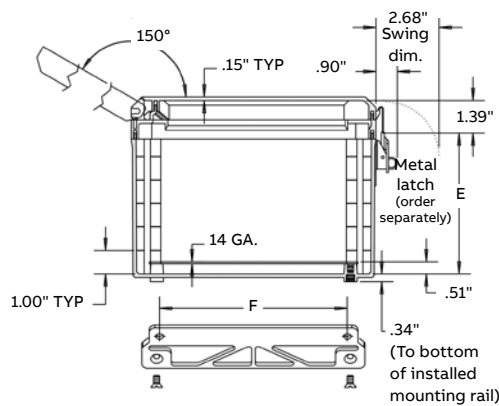
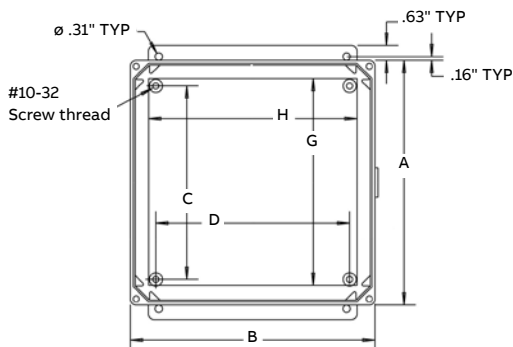
Quick Reference



Hidden-hinge cover styles

Enclosure kits (no panel or latches)								Individual components	
Opaque lid	Clear lid	Body	Lid	Collar	Mtg. Rails	Back panels		Latches (Qty. needed)	
						Steel	PVC	Steel	Nonmetallic
NH644		NP644B	NH64L	NH64C	NMK4V	JP64	JP64P	SSLL (1)	NPL1L (1)
	NI644	NP644B	NI64L	NH64C	NMK4V	JP64	JP64P	SSLL (1)	NPL1L (1)
NH664		NP664B	NH66L	NH66C	NMK6V	JP66	JP66P	SSLL (1)	NPL1L (1)
	NI664	NP664B	NI66L	NH66C	NMK6V	JP66	JP66P	SSLL (1)	NPL1L (1)
NH864		NP864B	NH86L	NH86C	NMK6V	JP86	JP86P	SSLL (1)	NPL1L (1)
	NI864	NP864B	NI86L	NH86C	NMK6V	JP86	JP86P	SSLL (1)	NPL1L (1)
NH884		NP884B	NH88L	NH88C	NMK8V	JP88	JP88P	SSLL (1)	NPL1L (1)
	NI884	NP884B	NI88L	NH88C	NMK8V	JP88	JP88P	SSLL (1)	NPL1L (1)
NH1084		NP1084B	NH108L	NH108C	NMK8V	JP108	JP108P	SSLL (1)	NPL1L (1)
	NI1084	NP1084B	NI108L	NH108C	NMK8V	JP108	JP108P	SSLL (1)	NPL1L (1)
NH1086		NP1086B	NH108L	NH108C	NMK8V	JP108	JP108P	SSLL (1)	NPL1L (1)
	NI1086	NP1086B	NI108L	NH108C	NMK8V	JP108	JP108P	SSLL (1)	NPL1L (1)
NH10106		NP1010B	NH1010L	NH1010C	NMK10V	JP1010	JP1010P	SSLL (1)	NPL1L (1)
	NI10106	NP1010B	NI1010L	NH1010C	NMK10V	JP1010	JP1010P	SSLL (1)	NPL1L (1)
NH12106		NP1210B	NH1210L	NH1210C	NMK10V	JP1210	JP1210P	SSLL (2)	NPL1L (2)
	NI12106	NP1210B	NI1210L	NH1210C	NMK10V	JP1210	JP1210P	SSLL (2)	NPL1L (2)
NH12126		NP1212B	NH1212L	NH1212C	NMK12V	JP1212	JP1212P	SSLL (2)	NPL1L (2)
	NI12126	NP1212B	NI1212L	NH1212C	NMK12V	JP1212	JP1212P	SSLL (2)	NPL1L (2)
NH14126		NP1412B	NH1412L	NH1412C	NMK12V	JP1412	JP1412P	SSLL (2)	NPL1L (2)
	NI14126	NP1412B	NI1412L	NH1412C	NMK12V	JP1412	JP1412P	SSLL (2)	NPL1L (2)
NH16146		NP1614B	NH1614L	NH1614C	NMK14V	JP1614	JP1614P	SSLL (2)	NPL1L (2)
	NI16146	NP1614B	NI1614L	NH1614C	NMK14V	JP1614	JP1614P	SSLL (2)	NPL1L (2)

Diagrams



Circuit Safe

JIC enclosures

Manufactured from structural foam thermoplastic, Carlon Circuit Safe JIC enclosures provide high-impact strength to eliminate dents and deformations along with high dielectric strength, excellent weathering capabilities and excellent resistance to a wide range of corrosive agents, acids, alkalines and salts.

These UL Approved and CSA certified enclosures also withstand wet and dirty environments, while their thick-wall construction make them a particularly good choice wherever condensation is a concern. Rated for use in Type 1, 3, 3S, 3X, 3SX, 4, 4X, 12 and 13 environments, Carlon Circuit Safe JIC enclosures are suited for virtually all indoor/outdoor industrial, MRO and OEM applications.

They are available in 10 sizes from 6 x 6 x 5 through 30 x 24 x 12 with a choice of screw or hinged design, opaque covers or clear polycarbonate covers that protect devices from hostile environments while enabling monitoring of instrumentation and/or electrical functions.

Features and benefits:

- Hinge caps make covers captive
- Nonmetallic molded-in hinges on hinged models
- No rough corners, sharp edges or burrs
- Non-conductive – eliminates danger of electrical shock
- Lid design provides greater usable internal volume
- Ample interior space for ease of wiring
- Fully gasketed
- Ultraviolet stabilized for outdoor use

Applications:

- Instrument case
- Junction and terminal boxes
- Control and switching enclosures
- Splice and pull boxes
- Starter, pushbutton and transformer housings
- Meter and transformer cabinets

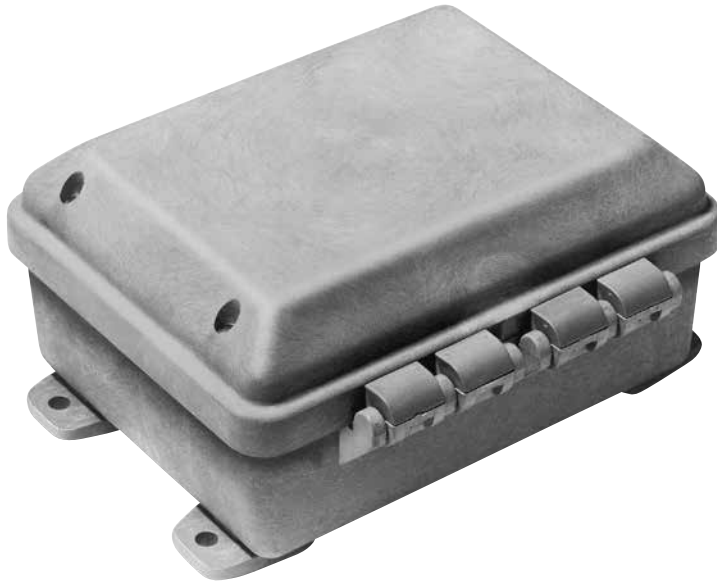
Standards:

- Meets NEMA Types 1, 3, 3S, 3X, 3SX, 4, 4X, 12, 13 as indicated
- UL Listed per UL 50, enclosures for electrical equipment
- CSA Certified
- JIC compliance



Hinged covers

Meets NEMA 1, 3, 3S, 3X, 3SX, 4, 4X, 12, 13



Features and benefits:

- Nonmetallic mounting feet and all mounting hardware included
- White-painted 14-gauge steel or 1/4" PVC back panel (order separately)
- 304 (18-8) stainless steel screws (10-32/1 1/8")
- Lid design provides greater usable internal volume
- Completely nonmetallic hinges
- Brass screw inserts
- Temperature range: -34°C to 110°C (-30°F to 230°F)
- Material: polycarbonate molded base and cover

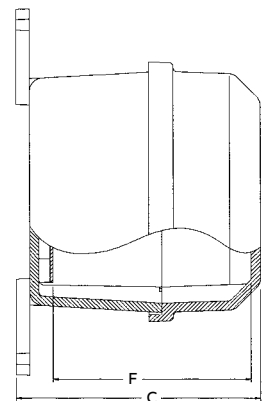
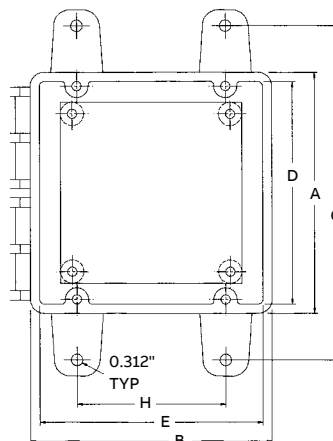


Factory assembled

Opaque cover Cat. No.	Clear cover Cat. No.	Dimensions (in.)								Std. Wt. (lb) Opaque/Clear	Back panel*		Panel Size (in.)	Std. Wt. (lb) Steel/PVC
		External			Internal			Mounting			Steel	PVC		
		A	B	C	D	E	F	G	H					
CJ665	CC665	6.50	6.50	6.69	6.00	6.00	5.45	9.00	4.00	1 (Opa 3.5)/ 1 (Clr 3.1)	JP66	JP66P	4.88 x 4.88	1 (1.0)/1 (0.3)
CJ863	CC863	8.50	6.50	4.49	8.00	6.00	3.25	11.00	4.00	1 (Opa 2.8)/ 1 (Clr 3.1)	JP86	JP86P	6.75 x 4.88	1 (1.0)/1 (0.78)
CJ1085	CC1085	10.50	8.50	6.69	10.00	8.00	5.45	13.00	6.00	1 (Opa 5.2)/ 1 (Clr 5.2)	JP108	JP108P	8.75 x 6.88	1 (1.5)/1 (0.7)
CJ12106	CC12106	12.50	10.50	7.69	12.00	10.00	6.45	15.00	8.00	1 (Opa 7.1)/ 1 (Clr 8.4)	JP1210	JP1210P	10.75 x 8.88	1 (2.0)/1 (1.2)
CJ14126	CC14126	14.50	12.50	7.72	14.00	12.00	6.48	17.00	10.00	1 (Opa 9.0)/ 1 (Clr 8.6)	JP1412	JP1412P	12.75 x 10.88	1 (3.2)/1 (1.7)
CJ16147	CC16147	16.50	14.50	8.46	16.00	14.00	7.22	19.00	12.00	1 (Opa 10.6)/ 1 (Clr 11.9)	JP1614	JP1614P	14.75 x 12.88	1 (4.7)/1 (2.3)

*Order back panels separately.
Enclosures shipped with mounting feet, hinge caps and screws.
For factory-installed pad-lockable latch (part no. CJTL), consult customer service for price and delivery.

Diagrams



Screw-on covers

Meets NEMA 1, 3, 3S, 3X, 3SX, 4, 4X, 12, 13



Features and benefits:

- Nonmetallic mounting feet and all mounting hardware included
- 304 (18-8) stainless steel screws (10-32/1½")
- Brass screw inserts
- Clear polycarbonate cover available
- White-painted 14-gauge steel or ¼" PVC back panel (order separately)
- Lid design provides greater usable internal volume
- Temperature range: -34°C to 110°C (-30°F to 230°F)
- Material: polycarbonate molded base and cover

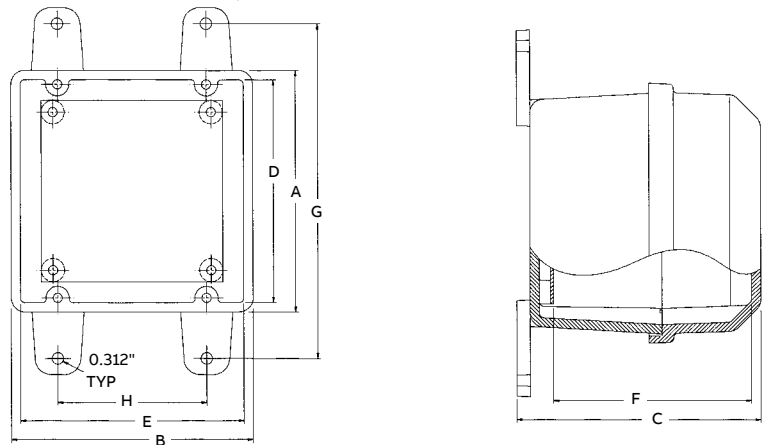


Factory assembled

Opaque cover Cat. No.	Clear cover Cat. No.	Dimensions (in.)								Std. Wt. (lb) Opaque/Clear	Back panel*		Panel Size (in.)	Std. Wt. (lb) Steel/PVC
		External			Internal			Mounting			Cat. No.	Steel		
		A	B	C	D	E	F	G	H					
CS665	CV665	6.50	6.50	6.69	6.00	6.00	5.45	9.00	4.00	1 (Opa 2.7)/1 (Clr 2.9)	JP66	JP66P	4.88 x 4.88	1 (1.0)/1 (0.3)
CS863	CV863	8.50	6.50	4.49	8.00	6.00	3.25	11.00	4.00	1 (Opa 2.9)/1 (Clr 2.9)	JP86	JP86P	6.75 x 4.88	1 (1.0)/1 (0.4)
CS1085	CV1085	10.50	8.50	6.69	10.00	8.00	5.45	13.00	6.00	1 (Opa 5.0)/1 (Clr 5.0)	JP108	JP108P	8.75 x 6.88	1 (1.5)/1 (0.7)
CS12106	CV12106	12.50	10.50	7.69	12.00	10.00	6.45	15.00	8.00	1 (Opa 6.5)/1 (Clr 7.2)	JP1210	JP1210P	10.75 x 8.88	1 (2.0)/1 (1.2)
CS14126	CV14126	14.50	12.50	7.72	14.00	12.00	6.48	17.00	10.00	1 (Opa 8.0)/1 (Clr 8.8)	JP1412	JP1412P	12.75 x 10.88	1 (3.2)/1 (1.7)
CS16147	CV16147	16.50	14.50	8.46	16.00	14.00	7.22	19.00	12.00	1 (Opa 11.5)/1 (Clr 10.8)	JP1614	JP1614P	14.75 x 12.88	1 (4.7)/1 (2.3)

*Order back panels separately.
Enclosures shipped with mounting feet and panel mounting hardware.

Diagrams



Medium hinged covers

Meets NEMA 1, 3, 3S, 3X, 3SX, 4, 4X, 12, 13



Features and benefits:

- Nonmetallic mounting feet and all mounting hardware included
- White-painted 14-gauge steel or 1/4" PVC back panel (order separately)
- 304 (18-8) stainless steel screws (10-32/1 1/8")
- Completely nonmetallic hinges
- Brass screw inserts
- Temperature range: -40°C to 85°C (-40°F to 185°F)
- Material: NORYL base and cover



Factory assembled

Cat. No.	Dimensions (in.)								Std. Wt. (lb)	Back panel*		Panel Size (in.)	Std. Wt. (lb) Steel/PVC
	External			Internal			Mounting			Cat. No.	Steel		
	A	B	C	D	E	F	G	H					
C2016A4	20.50	16.50	8.36	17.25	13.25	6.28	21.26	10.00	1 (15.1)	NP2016	NP2016P	17 x 13.25	1 (7.0)/1 (6.1)
C2016B4	20.50	16.50	10.36	17.25	13.25	8.28	21.26	10.00	1 (17.2)	NP2016	NP2016P	17 x 13.25	1 (7.0)/1 (6.1)
C2016C4	20.50	16.50	12.36	17.25	13.25	10.28	21.26	10.00	1 (19.7)	NP2016	NP2016P	17 x 13.25	1 (7.0)/1 (6.1)
C2420A4	24.50	20.50	8.36	21.25	17.25	6.28	25.26	14.00	1 (21.5)	NP2420	NP2420P	21 x 17	1 (10.4)/1 (4.7)
C2420B4	24.50	20.50	10.36	21.25	17.25	8.28	25.26	14.00	1 (24)	NP2420	NP2420P	21 x 17	1 (10.4)/1 (4.7)
C2420C4	24.50	20.50	12.36	21.25	17.25	10.28	25.26	14.00	1 (24.9)	NP2420	NP2420P	21 x 17	1 (10.4)/1 (4.7)
C3024A4	30.50	24.50	8.36	27.25	21.25	6.28	31.26	18.00	1 (28.4)	NP3024	NP3024P	27 x 21	1 (18.0)/1 (9.8)
C3024B4	30.50	24.50	10.36	27.25	21.25	8.28	31.26	18.00	1 (31.4)	NP3024	NP3024P	27 x 21	1 (18.0)/1 (9.8)
C3024C4	30.50	24.50	12.36	27.25	21.25	10.28	31.26	18.00	1 (33.8)	NP3024	NP3024P	27 x 21	1 (18.0)/1 (9.8)

*Order back panels separately.

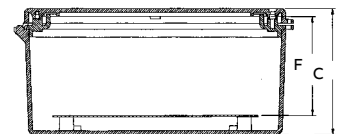
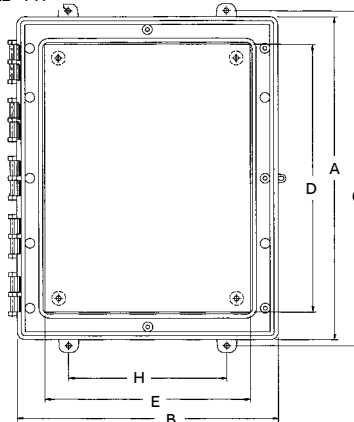
*Enclosure only available with opaque hinged cover.

Enclosures shipped with mounting feet, hinge caps and screws.

For factory-installed pad-lockable latch (part no. CJTL), consult customer service for price and delivery.

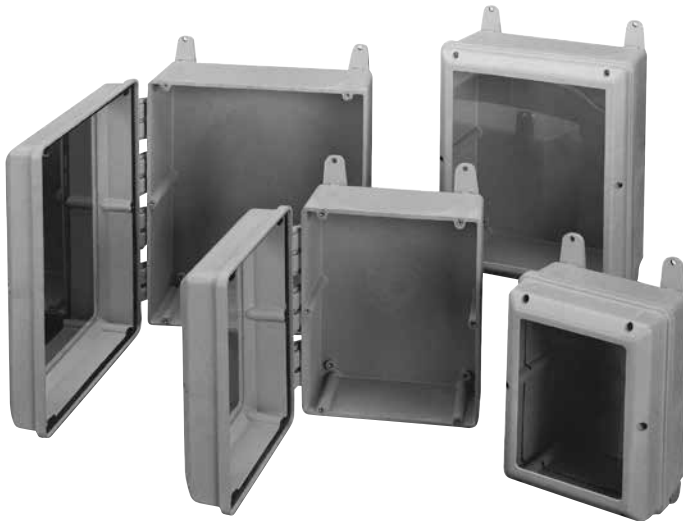
Diagrams

0.312" TYP



Hinged window cover

Meets NEMA 1, 3, 3S, 3X, 3SX, 4, 4X, 12, 13



Features and benefits:

- Nonmetallic mounting feet and all mounting hardware included
- 304 (18-8) stainless steel screws (10-32/1½")
- White-painted 14-gauge steel or ¼" PVC back panel (order separately)
- Completely nonmetallic hinges
- Lid design provides greater usable internal volume
- Brass screw inserts
- Material: polycarbonate molded base and cover

Note: Window material ½" thick, clear polycarbonate is permanently bonded to the cover.



Factory assembled

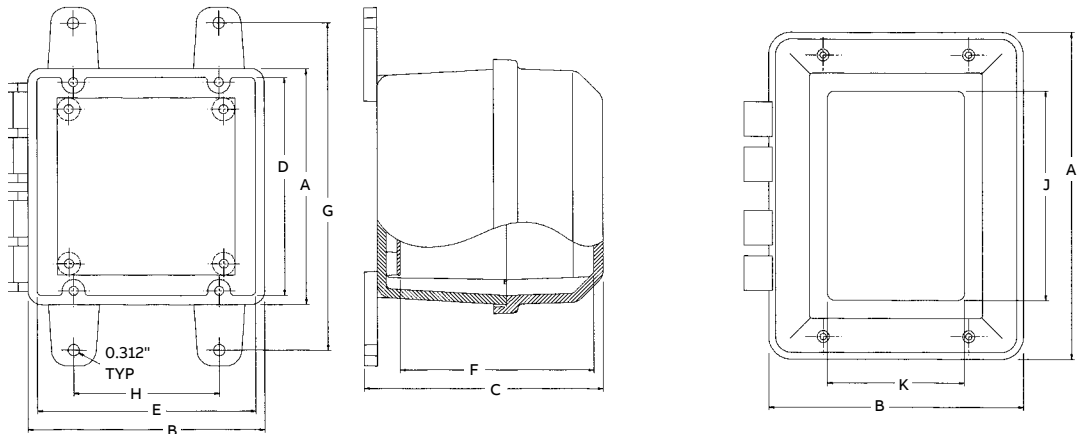
Cat. No.	Dimensions (in.)										Std. Wt. (lb)	Back panel*		Panel Size (in.)	Std. Wt. (lb) Steel/PVC
	External				Internal			Mounting				Steel	PVC		
	A	B	C	D	E	F	G	H	J	K					
J665W	6.50	6.50	6.69	6.00	6.00	5.45	9.00	4.00	3.75	3.75	1 (3.1)	JP66	JP66P	4.88 x 4.88	1 (1.0)/1 (0.3)
J863W	8.50	6.50	4.49	8.00	6.00	3.25	11.00	4.00	3.75	3.75	1 (3.2)	JP86	JP86P	6.75 x 4.88	1 (1.0)/1 (0.78)
J1085W	10.50	8.50	6.69	10.00	8.00	5.45	13.00	6.00	7.75	5.75	1 (5.6)	JP108	JP108P	8.75 x 6.88	1 (1.5)/1 (0.7)
J12106W	12.50	10.50	7.69	12.00	10.00	6.45	15.00	8.00	9.75	7.75	1 (7.4)	JP1210	JP1210P	10.75 x 8.88	1 (2.0)/1 (1.2)

Enclosures shipped with mounting feet, hinge caps and screws.

*Order back panels separately.

For factory-installed pad-lockable quick-release latch (part no. CJTL), consult customer service for price and delivery.

Diagrams



Circuit Safe

Pushbutton enclosures

Circuit Safe nonmetallic pushbutton enclosures are molded from engineered thermoplastic material that is resistant to most corrosive agents. Whether predrilled 1-2-3 hole enclosures, blank cover enclosures or enclosures with multiple hole openings, Carlon's pushbutton enclosure series offers high-impact strength, chemical resistance, high dielectric strength and excellent durability for the correct application.



Features and benefits:

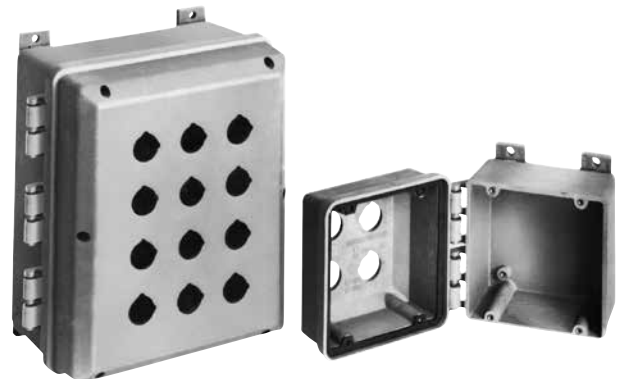
- Engineered thermoplastic base and cover
- 304 stainless steel screws
- Brass screw inserts
- High-impact strength
- Temperature range: -40°C to 85°C (-40°F to 185°F)
- UL94-V2

Applications:

- Standard oil-tight pushbuttons, switches and pilot lights
- Conduit entries
- Junction boxes
- MRO and OEM applications

Standards:

- Standards vary by product
- Screw cover pushbutton enclosures with 1-2-3 hole openings are listed per UL 50 for industrial controls
- Narrow-profile blank screw cover enclosures are listed per UL 50 and CSA C22.2 No.94.1 for industrial controls and meet NEMA Type 1, 3, 3S, 3X, 3SX, 4, 4X, 12 and 13
- Nonmetallic hinged cover enclosures with multiple hole openings are UL Listed



Screw cover enclosures with 1-2-3 hole openings

UL Listed per UL 50 for industrial controls

Wallmount pushbutton enclosures are molded from gray, engineered thermoplastic material that is resistant to most corrosive agents. Universal pushbutton holes are designed to accommodate all standard oil-tight pushbuttons, switches and pilot lights. A grounding plate is included on the cover. Auxiliary devices must be rated for appropriate NEMA applications.

Features and benefits:

- 30.5mm keyed pushbutton holes*
- Material: nylon base and cover
- Integrally molded mounting flange
- Brass screw inserts
- 304 (18-8) stainless screws (8-32/3/8")
- Temperature range: -40°C to 85°C (-40°F to 185°F)



30.5mm pushbutton enclosures†

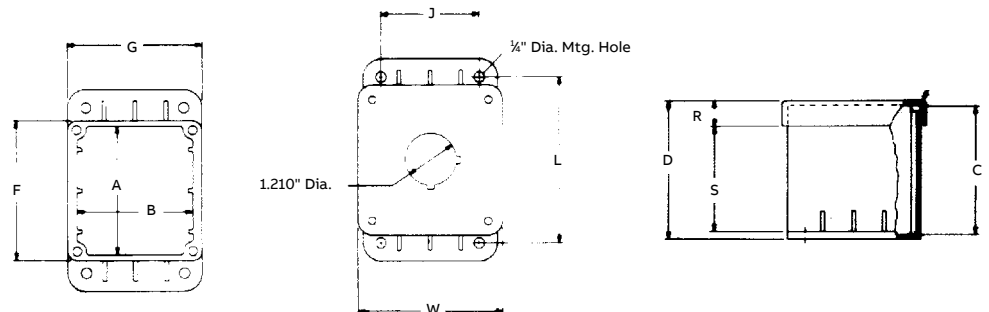
Cat. No.	Style	Inside box size A x B x C	Mounting L x J	Overall outside including mounting bracket H x W x D					Std. Ctn.	Std. Wt. (lb)
				F	G	R	S			
CP100N	One opening	3.13 x 2.81 x 3	4 x 2.38	4.88 x 3.50 x 3.38	3.38	3.25	0.63	2.5	12	9
CP200N	Two openings	5.38 x 2.81 x 3	6.25 x 2.38	7.13 x 3.50 x 3.38	5.63	3.25	0.63	2.5	8	8
CP300N	Three openings	7.38 x 2.81 x 3	8.50 x 2.38	9.38 x 3.50 x 3.38	7.88	3.25	0.63	2.5	6	7.60

22mm pushbutton enclosures*†

Cat. No.	Style	Inside box size A x B x C	Mounting L x J	Overall outside including mounting bracket H x W x D					Std. Ctn.	Std. Wt. (lb)
				F	G	R	S			
PX0010	One opening	3.13 x 2.81 x 3	4 x 2.38	4.88 x 3.50 x 3.38	3.38	3.25	0.63	2.5	10	8.26
PX0007	Two openings	5.38 x 2.81 x 3	6.25 x 2.38	7.13 x 3.50 x 3.38	5.63	3.25	0.63	2.5	8	1.31
PX0011	Three openings	7.38 x 2.81 x 3	8.50 x 2.38	9.38 x 3.50 x 3.38	7.88	3.25	0.63	2.5	6	9.43
PX0008	Four openings	7.38 x 2.81 x 3	8.50 x 2.38	9.38 x 3.50 x 3.38	7.88	3.25	0.63	2.5	6	1.60

* All Circuit Safe pushbutton enclosures are furnished with standard hole dimensions: 17/32" diameter with keyways at 12 o'clock and 3 o'clock
 † Dimensions are in inches unless marked otherwise. Operators not included.

Diagrams



Narrow-profile blank screw cover enclosures for small instrumentation and control applications

For industrial controls

Meets NEMA 1, 3, 3S, 3X, 3SX, 4, 4X, 12, 13

Blank cover enclosures can be easily drilled with a standard hole saw for conduit entries and pushbuttons. Wallmount enclosures are molded from gray, engineered thermoplastic material and are resistant to most corrosive agents.

Features and benefits:

- Brass screw inserts
- Material: nylon base and cover
- Integrally molded mounting flange
- 304 (18-8) stainless screws (10-32/3/8")
- Temperature range: -40°C to 85°C (-40°F to 185°F)



Blank screw cover enclosures**

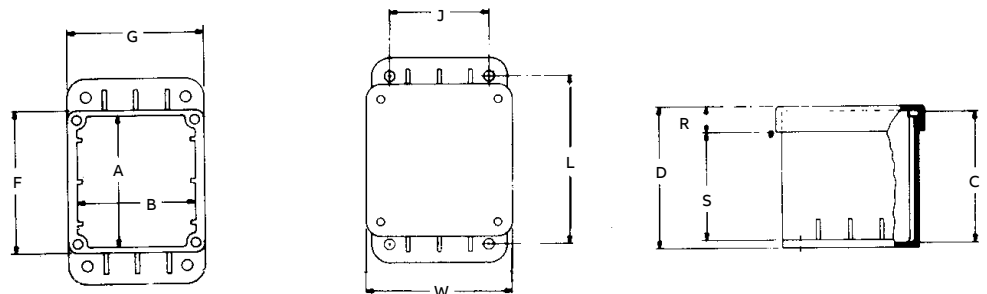


Cat. No.	Style	Inside box size A x B x C	Mounting L x J	Overall outside including mounting bracket H x W x D					Std. Ctn.	Std. Wt. (lb)
				F	G	R	S			
CP100NB	Blank cover	3.13 x 2.81 x 3	4 x 2.38	4.88 x 3.50 x 3.38	3.38	3.25	0.63	2.5	12	9.60
CP200NB	Blank cover	5.38 x 2.81 x 3	6.25 x 2.38	7.13 x 3.50 x 3.38	5.63	3.25	0.63	2.5	8	8.8
CP300NB	Blank cover	7.38 x 2.81 x 3	8.50 x 2.38	9.38 x 3.50 x 3.38	7.88	3.25	0.63	2.5	6	8.20

* All Circuit Safe pushbutton enclosures are furnished with standard hole dimensions: 1/32" diameter with keyways at 12 o'clock and 3 o'clock

† Dimensions are in inches unless marked otherwise.

Diagrams



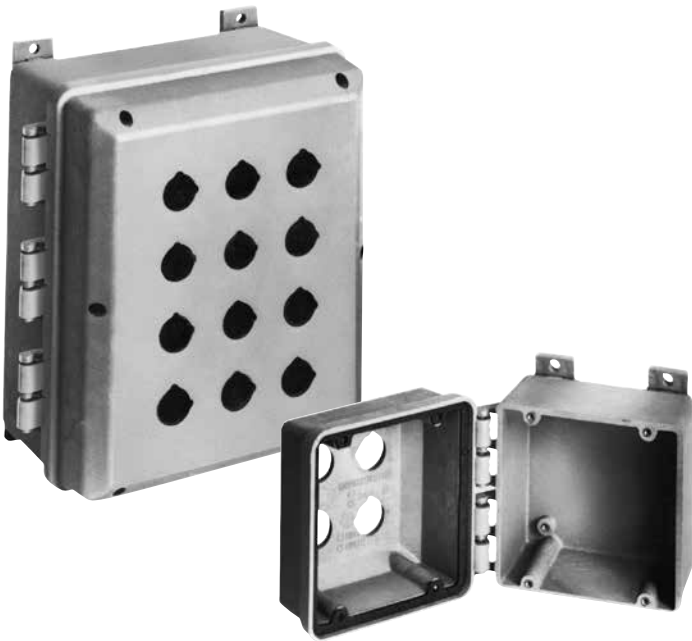
Hinged cover enclosures

with multiple hole openings

Made from engineered thermoplastic material, these enclosures are ideal for applications that require high-impact strength, chemical resistance, high dielectric strength and excellent weathering capabilities, including indoor/outdoor industrial, MRO and OEM applications. Nonmetallic hinges are an integral part of the mold. Removable cover enables easy field adjustment. Auxiliary devices must be rated for appropriate NEMA applications.

Features and benefits:

- Nonmetallic mounting feet and all mounting hardware included
- White-painted 14-gauge steel or 1½" PVC back panel (order separately)
- Material: engineered thermoplastic base and cover
- 304 stainless screws
- Brass screw inserts
- Lid design provides greater usable volume
- Completely nonmetallic hinges
- Temperature range: -40°C to 85°C (-40°F to 185°F)



Screw cover pushbutton enclosures with multiple 30.5mm openings*



Cat. No.	Openings	Inside box size (in.)	Weight (lb)	Std. Ctn.	Panel Cat. No.	Size (in.) Steel/PVC
J665P	4	6 x 6 x 5.88	2.42	1	JP66 / JP66P	4.88 x 4.88
J863P	6	8 x 6 x 3.63	1.86	1	JP86 / JP86P	6.75 x 4.88
J1085P	9	10 x 8 x 5.88	3.59	1	JP108 / JP108P	8.75 x 6.88
J12106P	12	12 x 10 x 6.88	4.29	1	JP1210 / JP1210P	10.75 x 8.88
J14126P	20	14 x 12 x 6.88	7.19	1	JP1412 / JP1412P	12.75 x 10.88
J16147P	25	16 x 14 x 7.63	11.20	1	JP1614 / JP1614P	14.75 x 12.88

For enclosures larger than 25 position, please call customer service.

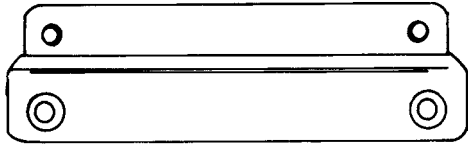
* All Circuit Safe pushbutton enclosures are furnished with standard hole dimensions:

1½" diameter with keyways at 12 o'clock and 3 o'clock.

Special openings or positionings available on request.

Circuit Safe

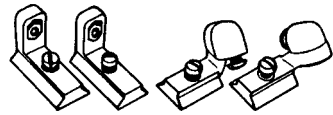
NEMA and JIC Accessories



Mounting rail kits

Cat. No.	Size (in.)	Std. Ctn.	Std. Wt. (lb)
NMK4V	4	25	5
NMK6V	6	24	7.7
NMK8V	8	24	10.25
NMK10V	10	20	13.26
NMK12V	12	20	11.4
NMK14V	14	25	17.76

*Mounting Rails include two rails and four stainless steel screws.
Mounting Rails can be mounted on long or short side of enclosure.
Size mounting flange to side of the enclosure to which the flange will be attached.



Swing-Out Panel Adjuster Kit (NBPSWG2)



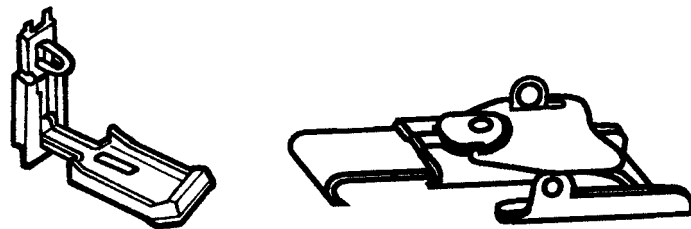
Panel Adjuster Kit (NBPADJ2)



180° Swing-Out Panel Kit (NBPSWG)

Panel adjuster kits

Cat. No.	Product	Description	Std. Ctn.	Std. Wt. (lb)
NBPADJ2	Panel adjuster kit	(4) Panel adjusters (4) #10-32 screws to mount panel	10 Kits	2.07
NBPSWG	180° swing-out panel kit	(4) Panel adjusters (2) Hinges (2) #10-32 screws to mount panel	10 Kits	2.68
NBPSWG2	Swing-out panel adjuster kit	(2) Hinged adjusters (2) Panel adjusters (4) #10-32 screws	10 Kits	1.80

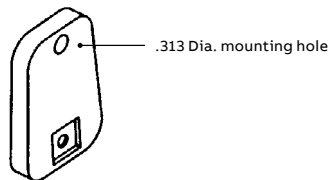


Latch kits – For NEMA hinged enclosures

Cat. No.	Product	Description	Std. Ctn.	Std. Wt. (lb)
NPL1L	Nonmetallic quick-release latch kit	Quick-release latch kit for use with hidden hinge enclosure for NH & NI Series	25	2.00
NPL1S	Nonmetallic quick-release latch kit	Quick-release latch kit for use with external hinge enclosure for NJ & NC Series	25	2.00
SSLL	304 stainless steel quick-release latch kit	Quick-release latch kit for use with hidden hinge enclosure for NH & NI Series	25	4.27
SSLS	304 stainless steel quick-release latch kit	Quick-release latch kit for use with external hinge enclosure for NJ & NC Series	25	3.41

Circuit Safe

NEMA and JIC Accessories



Mounting feet

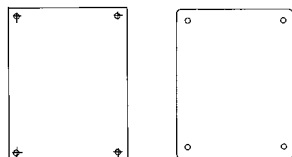
Cat. No.	Std. Ctn.	Std. Wt. (lb)
CJB159*	400	0.04

*CJB159 nonmetallic mounting feet provide 1/4" standoff and may be used to mount enclosures in horizontal or vertical mode. They are shipped with all Circuit Safe JIC enclosures. No screws are provided when mounting feet are ordered separately.

JIC installation kit

Cat. No.	Std. Ctn.	Std. Wt. (lb)
CH208*	1 Kit	0.25

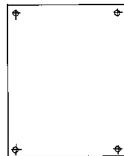
*Installation kit is included as standard equipment with all JIC enclosures. Information listed here for purposes of additional purchase only. Kit includes four mounting feet, eight hinge caps and eight screws.



Medium NEMA back panels*

Cat. No.	Size (in.)	Std. Ctn.	Std. Wt. (lb)
NP2016 / NP2016P	17 x 13	1	7.0/6.125
NP2420 / NP2420P	21 x 17	1	10.4/4.71
NP3024 / NP3024P	27 x 21	1	18.0/9.781

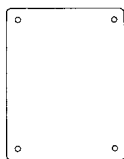
*Circuit Safe NEMA enclosures are not shipped with back panels, which must be ordered separately. All accessories can be factory installed. Consult customer service for price and delivery.



Steel back panels* –

Steel back panels are white-painted 14-gauge steel.

Cat. No.	Thickness	Size (in.)	Std. Ctn.	Std. Wt. (lb)
JP64	14 gauge	4.88 x 2.88	1	0.6
JP66	14 gauge	4.88 x 4.88	1	1.0
JP86	14 gauge	6.75 x 4.88	1	1.0
JP88	14 gauge	6.75 x 6.88	1	1.2
JP108	14 gauge	8.75 x 6.88	1	1.5
JP1010	14 gauge	8.75 x 8.88	1	2.3
JP1210	14 gauge	10.75 x 8.88	1	2.7
JP1212	14 gauge	10.75 x 10.88	1	3.5
JP1412	14 gauge	12.75 x 10.88	1	3.8
JP1614	14 gauge	14.75 x 12.88	1	4.7



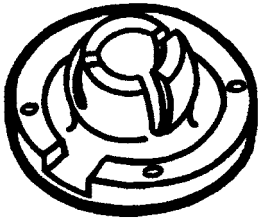
PVC back panels* –

PVC back panels are made from 1/4" PVC and meet UL94V-O.

Cat. No.	Size (in.)	Std. Ctn.	Std. Wt. (lb)
JP64P	4 7/8 x 2 7/8	1	0.3
JP66P	4 7/8 x 4 7/8	1	0.3
JP86P	6 3/4 x 4 7/8	1	0.4
JP88P	6 3/4 x 6 7/8	1	0.5
JP108P	8 3/4 x 6 7/8	1	0.7
JP1010P	8 3/4 x 8 7/8	1	0.9
JP1210P	10 3/4 x 8 7/8	1	1.2
JP1212P	10 3/4 x 10 7/8	1	1.5
JP1412P	12 3/4 x 10 7/8	1	1.7
JP1614P	14 3/4 x 12 7/8	1	2.3

Circuit Safe

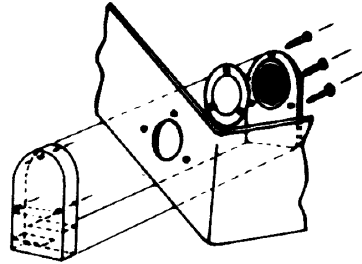
NEMA and JIC Accessories



Draining device* – For 3R Rating and condensation buildup

Cat. No.	Std. Ctn.
HPVEA9	30

*Factory installation available.

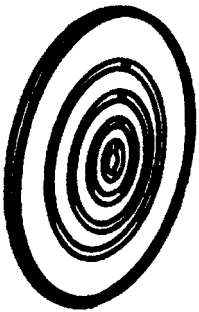


Enclosure ventilator* –

Enables any size enclosure to breathe, yet remain watertight

Cat. No.	Std. Ctn.
HVM27	15

*Factory installation available.



Air vents* – NEMA 1 Rated only

Cat. No.	Style	Std. Ctn.
HPVM25	For fitting outside of all enclosures	30
HPVM35	For fitting inside of all enclosures	30

*Factory installation available.

Window Kits

Carlson hinged window kits are used to create a NEMA 4X environment on electronic control panels. Polycarbonate construction and double gaskets ensure environmental integrity.

Features and benefits:

- High-impact strength
- High dielectric strength
- Suitable for indoor and outdoor use
- Fully gasketed

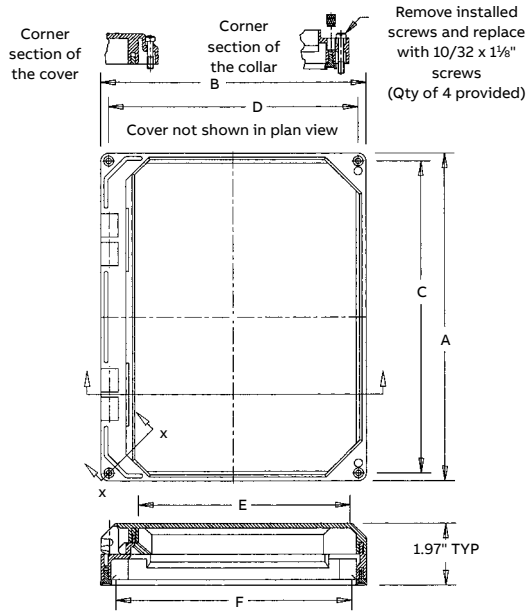
Standards:

- UL Listed and meets NEMA Type 4X with the exception of NI1614W; all sizes are NEMA Type 1 and 12 rated

Applications:

- Instrument case
- Junction and terminal boxes
- Control and switching enclosures
- Meter and transformer cabinets
- Small device enclosures
- Surface-mounted instruments

Diagram



Cat. No.	Size (in.)	Std. Ctn.	Std. Wt. (lb)
NI64W	6 x 4	1	0.8
NI66W	6 x 6	1	0.9
NI86W	8 x 6	1	1.17
NI88W	8 x 8	1	1.4
NI108W	10 x 8	1	1.5
NI1010W	10 x 10	1	1.82
NI1210W	12 x 10	1	2.12
NI1212W	12 x 12	1	2.65
NI1412W	14 x 12	1	2.67
NI1614W	16 x 14	1	3.10

All window kits can be factory installed to Carlson enclosures. Consult factory for price and delivery.
 * Non-stock factory order only — consult customer service.
 NI1614W is not NEMA Type 4X Rated

Size	Dimensions in. (mm)					
	A	B	C	D	E	F
NI64W	6.42 (163.1)	4.41 (112.0)	5.92 (150.4)	3.94 (100.0)	2.72 (69.1)	3.80 (96.5)
NI66W	6.42 (163.1)	6.42 (163.1)	5.94 (150.9)	5.94 (150.9)	4.72 (119.9)	5.80 (147.3)
NI86W	8.44 (214.4)	6.42 (163.1)	7.92 (201.2)	5.94 (150.9)	4.72 (119.9)	5.80 (147.3)
NI88W	8.44 (214.4)	8.43 (214.1)	7.95 (201.9)	7.95 (201.9)	6.72 (170.7)	7.80 (198.1)
NI108W	10.46 (265.7)	8.45 (214.6)	9.95 (253.5)	7.96 (202.2)	6.72 (170.7)	7.80 (198.1)
NI1010W	10.45 (265.4)	10.45 (265.4)	9.97 (253.2)	9.97 (253.2)	8.72 (221.5)	9.80 (248.9)
NI1210W	12.46 (316.5)	10.45 (265.4)	11.99 (304.5)	9.97 (253.2)	8.72 (221.5)	9.80 (248.9)
NI1212W	12.50 (317.5)	12.50 (317.5)	12.00 (304.8)	12.00 (304.8)	10.72 (272.3)	11.80 (299.7)
NI1412W	14.50 (368.3)	12.50 (317.5)	14.01 (355.9)	12.00 (304.8)	10.72 (272.3)	11.80 (299.7)
NI1614W	16.52 (419.6)	14.48 (367.8)	16.03 (407.2)	14.02 (356.1)	12.72 (323.1)	13.80 (350.5)



Himeline Enclosures

HS, HP, HLA/HLS Series

Carlton Himeline enclosures are the ideal alternative to expensive stainless steel enclosures. They have excellent corrosion-resistant properties and are impervious to sunlight, dirt and moisture. Available in four series (HS, HP and HLA/HLS), with sizes ranging from 11 x 7 x 7 through 50 x 40 x 17, these enclosures offer choices that include double doors, clear or opaque covers, hinged and screw versions, single- or three-point closure mechanisms, 4X windows, DIN rail mounting and an adjustable depth door-in-door option that enables you to customize your enclosures by separating power from communications.

Features and benefits:

- High-impact strength
- High dielectric strength
- Suitable for indoor and outdoor use
- Fully gasketed
- Lightweight

Applications:

- Instrument case
- Junction and terminal boxes
- Control and switching enclosures
- Meter and transformer cabinets
- Small device enclosures

Standards:

- Meets NEMA and IP standards as indicated in appropriate section
- UL Listed as indicated



HS Series screw-on

Fastened and hinged cover enclosures

- Meets NEMA 1, 3, 3S, 4, 4X, 12, 13
- Meets IP 65

Himeline HS Series enclosures are designed for use as junction boxes, terminal wiring boxes, instrument and control housings and small device enclosure applications. Molded under high pressure, Himeline HS Series enclosures provide high-impact strength, chemical resistance, high dielectric strength and excellent weathering capabilities.

Features and benefits:

- Standard slotted locking screw
- High-impact strength
- Chemical resistance
- High dielectric strength
- Excellent weathering capabilities
- Sealing gasket on all models
- Sunlight resistant

Applications:

- Junction boxes
- Terminal wiring boxes
- Instrument and control housings
- Small device enclosure applications
- Indoor or outdoor use

Material:

- Opaque/clear Lid – polycarbonate
- Base – Fiberglass reinforced polyester

Standards:

- Meets NEMA Type 1, 3, 3S, 4, 4X, 12, 13 ratings
- UL Listed per UL 50 and CSA C22.2 No.94.1, enclosures for electrical equipment
- Meets IP 65
- UL Listed (E108856)



HS Series screw-on

Fastened and hinged cover enclosures



Features and benefits:

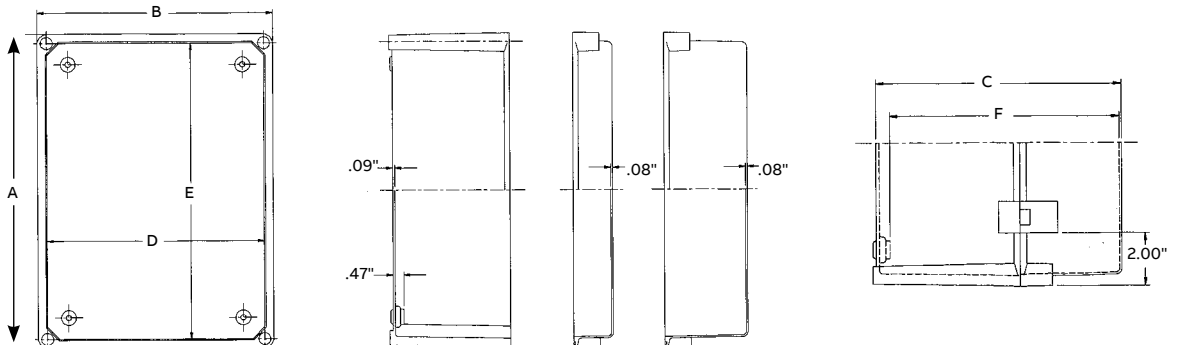
- Molded under high pressure
- High-impact strength
- Chemical resistance
- High dielectric strength
- Excellent weathering capabilities
- Clear cover available



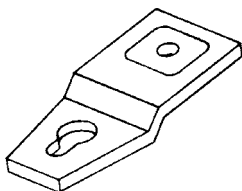
Opaque screw-on cover Cat. No.	Clear screw-on cover Cat. No.	Opaque hinged cover Cat. No.	Clear hinged cover Cat. No.	Dimensions (in.)						Opaque Wt. (lb) each	Clear Wt. (lb) each	Std. Ctn.	Back panel Cat. No.	Dimensions (in.) H x W	Thick-ness (in.)	Std. Wt. (lb)	Std. Ctn.
				External			Internal										
				A	B	C	D	E	F								
HS7A7	HS7A7C	HH7A7	HH7A7C	10.63	7.09	7.09	6.26	9.80	6.54	10.7/7	10.9/6.2	4	HS7ABP	5.51 x 9.05	0.08	1.1	1
HS11A7	HS11A7C	HH11A7	HH11A7C	10.63	10.63	7.09	9.80	9.80	6.54	15.2/8.5	14/8	4	HS11ABP	9.05 x 9.05	0.08	1.7	1
HS11B7	HS11B7C	HH11B7	HH11B7C	14.17	10.63	7.09	9.80	13.35	6.54	17/4	18/4	4	HS11BBP	9.05 x 12.60	0.08	2.4	1
HS11C7	HS11C7C	HH11C7	HH11C7C	21.26	10.63	7.09	9.80	20.43	6.54	13/13	12.5/13	2	HS11CBP	9.05 x 19.68	0.08	3.9	1
HS15C7	HS15C7C	HH15C7	HH15C7C	21.26	14.17	7.09	13.35	20.43	6.54	17.7/11	18/11	2	HS15CBP	12.60 x 19.68	0.08	6.6	1
HS21C7	HS21C7C	HH21C7	HH21C7C	21.26	21.26	7.09	20.43	20.43	6.54	12.5/13	12/13	1	HS21CBP	19.68 x 19.68	0.08	8.8	1
HS11A9	HS11A9C	HH11A9	HH11A9C	10.63	10.63	9.06	9.80	9.80	8.47	15/4	16.6/5	4	HS11ABP	9.05 x 9.05	0.08	1.7	1
HS11B9	HS11B9C	HH11B9	HH11B9C	14.17	10.63	9.06	9.80	13.35	8.47	20/6	19/6	4	HS11BBP	9.05 x 12.60	0.08	2.5	1
HS11C9	HS11C9C	HH11C9	HH11C9C	21.26	10.63	9.06	9.80	20.43	8.47	14/9	14/9	2	HS11CBP	9.05 x 19.68	0.08	3.9	1
HS15C9	HS15C9C	HH15C9	HH15C9C	21.26	14.17	9.06	13.35	20.43	8.47	18.5/11	19/11	2	HS15CBP	12.60 x 19.68	0.08	6.6	1
HS21C9	HS21C9C	HH21C9	HH21C9C	21.26	21.26	9.06	20.43	20.43	8.47	13/14	14/14	1	HS21CBP	19.68 x 19.68	0.08	8.8	1
HS15D9	HS15D9C	HH15D9	HH15D9C	28.35	14.17	9.06	13.35	27.52	8.47	13/13	13/13	1	HS15DBP	12.60 x 26.77	0.10	9.5	1
HS21D9	HS21D9C	HH21D9	HH21D9C	28.35	21.26	9.06	20.43	27.52	8.47	18/18	17/18	1	HS21DBP	19.68 x 26.77	0.10	15.5	1

Back panels and mounting feet must be ordered separately. Consult customer service for availability and delivery.

Diagrams

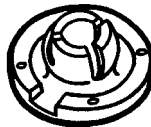


HS Series
Accessories



Mounting feet – For Himeline HS enclosures

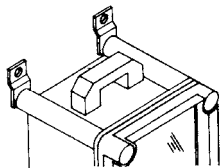
Cat. No.	Description	Std. Ctn.	Std. Wt. (lb)
HSMFZ	Zinc dichromated steel	25	0.2
HSMFSS	304 Stainless steel	25	0.2



Draining device* – For 3R Rating and condensation build up

Cat. No.	Std. Ctn.
HPVEA9	30

*Factory installation available.



Nonmetallic carrying handle –
Converts enclosures to portable units for meters and portable power

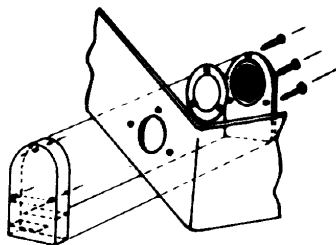
Cat. No.	Std. Ctn.	Std. Wt. (lb)
HSCH	10	0.2



Air vents* – NEMA 1 Rated only

Cat. No.	Style	Std. Ctn.
HPVM25	For fitting outside of all enclosures	30
HPVM35	For fitting inside of all enclosures	30

*Factory installation available.



Enclosure ventilator* –
Enables any size enclosure to breathe, yet remain watertight

Cat. No.	Std. Ctn.
HVM27	15

*Factory installation available.

HP Series enclosures

With hinged quick-release cover

- Meets NEMA 1, 3, 3S, 4, 4X, 12, 13
- Meets IP 66

Himeline HP Series enclosures for medium-sized devices and equipment provide superior performance as junction and terminal wiring boxes and instrument and control housing applications.

For indoor/outdoor industrial, MRO and OEM applications. HP Series enclosures are resistant to corrosion, sunlight, chemicals, dirt and moisture. Temperature range from -50°C to 160°C (-58°F to 320°F)



Features and benefits:

- Projections for affixing cover mounted panel
- Door-locking mechanism convertible to key lock
- M8x18 studs for back panel mounting (included)
- Hidden hinges open 185° for easy access
- Multi-positional DIN rail fixing components
- Removable stainless steel hinge pins
- Single-piece construction
- Opaque or tempered glass window option
- Steel, nonmetallic and slotted back panels available
- External and internal venting available
- Hinged, variable-height inner panel option
- Quick-locking ¼-turn entry
- Underside grid pattern on inner door panel
- Self-positioning panel depth adjusters
- Pole mounting kit
- Pedestal mounting capability
- Sunlight resistant

Applications:

- Junction boxes
- Terminal wiring boxes
- Instrument and control housing
- Indoor or outdoor use

Standards:

- NEMA Type 1, 3, 3S, 4, 4X, 12, 13
- UL® Listed per UL 50, enclosures for electrical equipment
- Meets IP 66

Material:

- Lids/Bases – fiberglass-reinforced polyester

HS Series enclosures

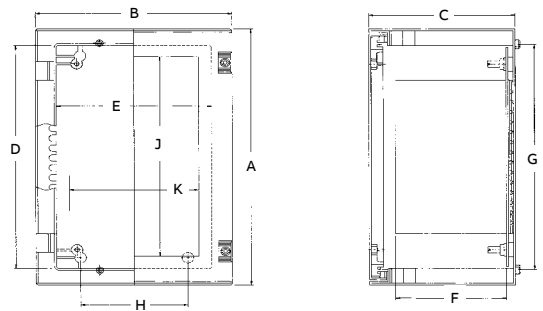
With hinged quick-release cover



Enclosure with opaque cover Cat. No.	Std. Wt. (lb)	Enclosure with clear window*	Std. Wt. (lb)	Window dimensions (H x W) (in.)	Dimensions (in.)										Std. Ctn.
					External			Internal			Mounting		Window		
					A	B	C	D	E	F	G	H	J	K	
HP1612B	11.04	HC1612B	12.5	11 x 7.87	16.93	12.99	7.87	14.96	10.24	6.61	14.76	5.91	11.02	7.87	1
HP2016B	16.80	HC2016B	17.2	14.96 x 11.81	20.87	16.93	7.87	18.90	14.17	6.61	18.70	9.84	14.96	11.81	1
HP2416C	21.13	HC2416C	24.12	18.89 x 11.81	25.47	17.17	9.84	22.83	14.17	8.35	22.64	9.84	18.90	11.81	1
HP3020D	32.28	HC3020**	36.02	22.83 x 15.74	29.41	21.10	11.81	26.77	18.11	10.28	26.57	13.78	22.83	15.75	1
HP3325D	39.00	HC3325D**	43.12	26.77 x 19.68	33.35	25.04	11.81	30.71	22.05	10.28	30.51	17.72	26.77	19.69	1

* HC Enclosures are IP 65 Rated. Clear window is glass.
 ** This series of enclosures comes standard with body, lid and mounting rail kit.
 Consult customer service for availability and delivery.

Diagrams



Depth with back panel installed

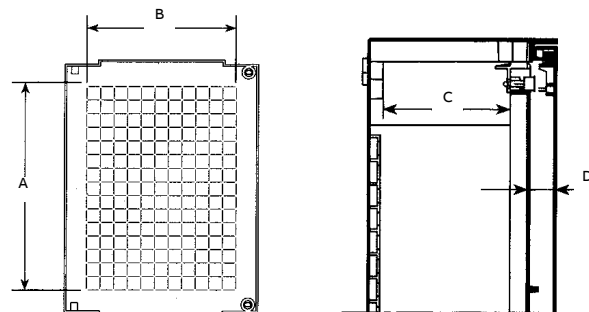
Hinged internal door

Features and benefits:

- Internal fiberglass-reinforced polyester door assembly
- Grid pattern on the inside for quicker positioning of equipment
- Quick-locking 1/4-turn entry

Cat. No.	A		B		C		D		Std. Ctn.	Std. Wt. (lb)
	in.	(mm)	in.	(mm)	in.	(mm)	in.	(mm)		
PID1612	12.40	(315)	8.07	(205)	5.98	(152)	1.02	(26)	1	2.05
PID2016	16.34	(415)	12.00	(305)	5.98	(152)	1.02	(26)	1	3.15
PID2416	20.28	(515)	12.00	(305)	7.64	(194)	1.26	(32)	1	4.50
PID3020	24.21	(615)	15.94	(405)	9.61	(244)	1.26	(32)	1	6.50
PID3325	28.15	(715)	19.88	(505)	9.61	(244)	1.26	(32)	1	8.45

Diagrams

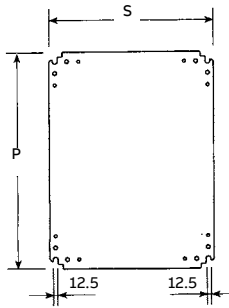


HS Series back panels

A complete range of plates – directly fix to the enclosure supports or to the adjustable depth supports.

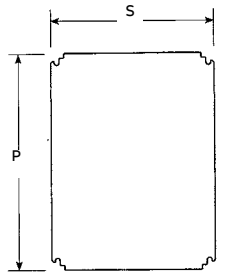
Steel back panels – Steel back panels are white-painted 14-gauge steel

Cat. No.	To fit enclosures	Thickness		Weight		P (in.)	S (in.)
		in.	(mm)	lb	(kg)		
PMM2016	HP2016B	0.079	(2)	6.15	(2.5)	18.30	13.78
PMM2416	HP2416C	0.079	(2)	8.0	(3.1)	22.24	13.78
PMM3325	HP3325D	0.118	(3)	20.0	(9.9)	30.11	21.65



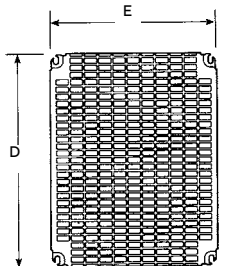
PVC insulating back panels – PVC back panels are made from 1/4" PVC and meet UL94 V-0

Cat. No.	To fit enclosures	Weight		P		S (mm)
		lb	(kg)	in.	(mm)	
PMB1612	HP1612B	1.10	(0.5)	14.37	(365)	(250)
PMB2016	HP2016B	2.65	(1.2)	18.30	(465)	(350)
PMB2416	HP2416C	3.09	(1.4)	22.24	(565)	(350)
PMB3020	HP3020D	4.63	(2.1)	26.18	(665)	(450)
PMB3325	HP3325D	6.62	(3.0)	30.11	(765)	(550)

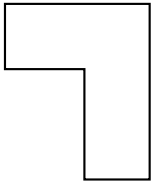


PVC insulating back panels – Zinc, dichromated, coated-steel plates perforated for addition of electrical circuitry

Cat. No.	To fit enclosures	Weight		D		E (mm)
		lb	(kg)	in.	(mm)	
PMR1612	HP1612B	1.54	(0.7)	13.74	(349)	(251)
PMR2016	HP2016B	2.87	(1.3)	17.72	(450)	(351)
PMR2416	HP2416C	3.53	(1.6)	21.85	(555)	(351)
PMR3020	HP3020D	5.07	(2.3)	25.39	(645)	(451)
PMR3325	HP3325D	7.06	(3.2)	29.53	(750)	(551)

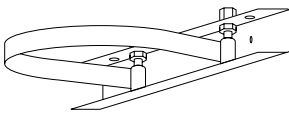


HP Series Accessories



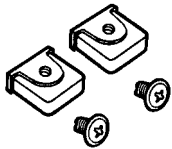
Blanking grommet – To close off openings on enclosure backs

Cat. No.	Fits enclosure sizes	Description	Std. Ctn.	Std. Wt. (lb)
HPBNGB	16 x 12 and 20 x 16	Blanking Grommet	10	1.00
HPBNGC	24 x 16, 30 x 20 and 33 x 25	Blanking Grommet	20	1.00



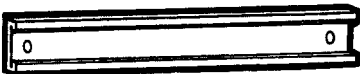
Pole mounting set

Cat. No.	To fit enclosures	Std. Ctn.
HPPF300	HP1612B	1
HPPF400	HP2016B, HP2416C	1
HPPF500	HP3020D	1
HPPF600	HP3325D	1



Rail mounting insert

Cat. No.	Features	Std. Ctn.
HPRFK	Fits All Enclosures	10



35mm Symmetrical DIN rail

Cat. No.	To fit enclosures	Width (in.)	Std. Ctn.
HPCO300	HP1612B	11.02	25
HPCO400	HP2016B, HP2416C	14.96	25
HPCO500	HP3020D	18.90	50



Wall mounting set

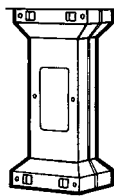
Cat. No.	Std. Ctn.	Std. Wt. (lb)
HPWMF	10	0.1

Includes brass inserts and installation tools.



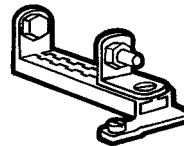
Fixing accessories for slotted plates

Fixing nut			Fixing bolt with washer		
Cat. No.	Type of thread	Std. Ctn.	Cat. No.	Length (in.)	Std. Ctn.
HPFA4	M4	8	HPFB104	0.39	1,000
HPFA4	M4	8	HPFB164	0.63	1,000
HPFA5	M5	8	HPFB125	0.47	1,000
HPFA5	M5	8	HPFB185	0.71	1,000
HPFA6	M6	8	HPFB126	0.47	1,000
HPFA6	M6	8	HPFB186	0.71	1,000



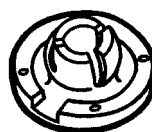
Pedestal mount

Cat. No.	To fit enclosures	Std. Ctn.
HPSFS1	HP2016B, HP2416C	1



Back panel depth adjustable supports - Supports designed to fit 7.87" (200mm), 9.84" (250mm), 11.81" (300mm) and 13.78" (350mm) deep enclosures. Self-positioning slots enable adjustment every .49" (12.5mm). Made of zinc dichromated coated steel.

Cat. No.	To fit enclosures	A		B		Std. Ctn.
		in./mm	in./mm	in./mm	in./mm	
HPLM200	HP1612B & HP2016B	5.98/152	3.90/99			8
HPLM250	HP2416C	8.07/205	4.13/105			15
HPLM300	HP3020D & HP3325D	10.04/255	8.07/205			10



Draining device* – For 3R rating and condensation buildup.

Cat. No.	Std. Ctn.
HPVEA9	30

*Factory installation available.

HP Series

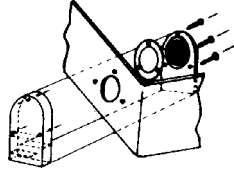
Accessories



Air vents* – NEMA 1 Rated only

Cat. No.	Style	Std. Ctn.
HPVM25	For Fitting Outside of All Enclosures	30
HPVM35	For Fitting Inside of All Enclosures	30

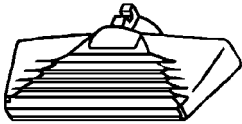
*Factory installation available.



Enclosure ventilator* – Enables any size enclosure to breathe, yet remain watertight

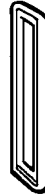
Cat. No.	Std. Ctn.
HVM27	15

*Factory installation available.



Replacement standard handle

Cat. No.	Std. Ctn.	Std. Wt. (lb)
HPRSH	1	0.05

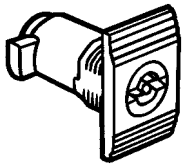


Coupling frame – For Himeline HP Enclosures HP3020D and HP3325D.

Cat. No.	Std. Ctn.
HPBU	1

Locks

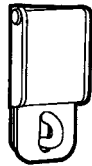
For Himeline HP enclosures



Replacement door lock

Cat. No.	Std. Ctn.
HPRLA	15

For replacement handle, order HPRSH.



Padlocking service

Cat. No.	Std. Ctn.
HPPLH	20



Cylinder key lock (keyed alike)

Cat. No.	Std. Ctn.
HPTPLM	15

For replacement key, order HPRKO.

HLA/HLS Series Enclosures

Carlson Himeline HLA/HLS Series Enclosures are large fiber-reinforced polyester cabinets ranging in sizes 20 x 20 x 17 to 50 x 40 x 17 and 20 x 20 x 12 to 50 x 40 x 12, respectively. They have operating temperatures of -50° to 150°C (-58° to 302°F) and can accommodate large devices and equipment for a wide range of applications, including junction and terminal wiring boxes, instruments and control housings. They are ideal for indoor/outdoor industrial, MRO and OEM applications, and offer superior strength and high resistance to corrosion, moisture, dust, oil and UV light, enabling them to withstand the harshest of environments.

The HLA/HLS Series Enclosures are fitted with a watertight gasket and are available in one- and two-door configurations. These cabinets have a closed top and bottom and the two-door version includes a central upright to maintain rigidity.

To maintain the watertight seal, the locking mechanism is positioned outside the gasketed area. A wide variety of accessories are available such as steel and nonmetallic back panels, self-positioning panel depth adjusters and ventilator kits.

Carlson Enclosures...the ideal alternative to expensive stainless steel enclosures.

Features and benefits:

- Fiber-reinforced polyester
- Temperature range of -50°C to 150°C (-58°F to 302°F)
- Indoor/outdoor applications
- Superior strength
- High resistance to harsh environments
- Watertight gasket seal
- One- and two-door configurations
- Locking mechanism and hinge are outside gasketed area
- Floor or wall mounted

Applications:

- Contain large devices and equipment
- Junction and terminal wiring boxes
- Instrument and control housings

Standards:

- IP 65 Rating (single-door versions only)
- 4/4X Rated (single-door versions only)
- cULus listed



One-door NEMA Types 1, 2, 3, 3R, 4, 4X, 5, 12, 13

HLA/HLS Series single- and double-hinged cover enclosures with latches*



HLA one door (17" Deep)

Cat. No.	Dimensions (in.)			Std. Ctn.	Std. Wt. (lb)
	H	W	D		
HLA2020	20	20	17	1	38.3
HLA2030	20	30	17	1	53.9
HLA3020	30	20	17	1	53.9
HLA3030	30	30	17	1	60.7
HLA4020	40	20	17	1	63.1
HLA4030	40	30	17	1	81.0
HLA5020	50	20	17	1	78.7
HLA5030	50	30	17	1	96.7

* Consult customer service for availability and delivery.



HLA two door (17" Deep)

Cat. No.	Dimensions (in.)			Std. Ctn.	Std. Wt. (lb)
	H	W	D		
HLA30402	30	40	17	1	81.0
HLA40402	40	40	17	1	114.7
HLA40502	40	50	17	1	135.0
HLA50402	50	40	17	1	135.0



HLS one door (12" Deep)

Cat. No.	Dimensions (in.)			Std. Ctn.	Std. Wt. (lb)
	H	W	D		
HLS2020	20	20	12	1	29.8
HLS2030	20	30	12	1	40.59
HLS3020	30	20	12	1	49.5
HLS3030	30	30	12	1	55.1
HLS4020	40	20	12	1	56.81
HLS4030	40	30	12	1	61.7
HLS5020	50	20	12	1	67.56
HLS5030	50	30	12	1	76.83

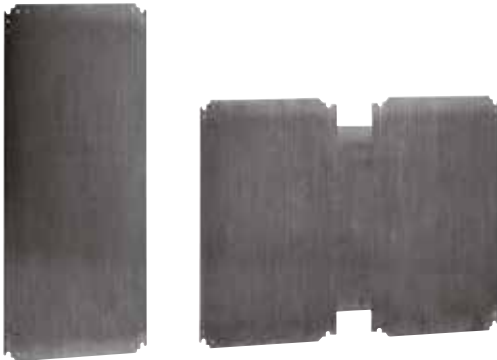
* Consult customer service for availability and delivery.



HLS two door (12" Deep)

Cat. No.	Dimensions (in.)			Std. Ctn.	Std. Wt. (lb)
	H	W	D		
HLS30402	30	40	12	1	62.57
HLS40402	40	40	12	1	87.59
HLS40502	40	50	12	1	104.28
HLS50402	50	40	12	1	104.28

HLA/HLS Series Accessories



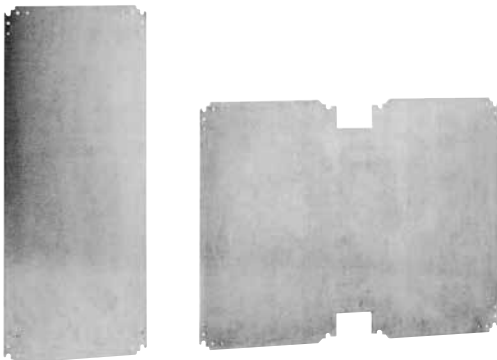
Nonmetallic thermosetting plastic (Bakelite) – one door

Cat. No.	Dimensions (in.)		Std. Ctn.	Std. Wt. (lb)
	H	W		
LP2020BP	15.4	14.8	1	2.1
LP3020BP*	25.2	14.8	1	3.0
LP3030BP	25.2	24.6	1	6.3
LP4020BP	35.0	14.8	1	5.2
LP4030BP	35.0	24.6	1	8.8
LP5020BP	44.3	14.8	1	6.7
LP5030BP	44.3	24.6	1	11.2

* Use back panel LP3020BP for enclosures HLA2030, HLA3020, HLS2030 and HLS3020

Nonmetallic thermosetting plastic (Bakelite) – two door

Cat. No.	Dimensions (in.)		Std. Ctn.	Std. Wt. (lb)
	H	W		
LP30402BP	25.2	34.4	1	8.8
LP40402BP	35.0	34.4	1	12.3
LP40502BP	35.0	44.3	1	16.1
LP50402BP	44.3	34.4	1	16.1



Metal - galvanized steel – one door

Cat. No.	Dimensions (in.)		Std. Ctn.	Std. Wt. (lb)
	H	W		
LA2020BP	15.4	14.8	1	5.6
LA3020BP*	25.2	14.8	1	8.6
LA3030BP	25.2	24.6	1	17.6
LA4020BP	35.0	14.8	1	14.6
LA4030BP	35.0	24.6	1	24.3
LA5020BP	44.3	14.8	1	19.4
LA5030BP	44.3	24.6	1	31.9

* Use back panel LA3020BP for enclosures HLA2030, HLA3020, HLS2030 and HLS3020

Metal - galvanized steel – two door

Cat. No.	Dimensions (in.)		Std. Ctn.	Std. Wt. (lb)
	H	W		
LA30402BP	25.2	34.4	1	24.1
LA40402BP	35.0	34.4	1	33.8
LA40502BP	35.0	44.3	1	43.4
LA50402BP	44.3	34.4	1	43.7

HLA/HLS Series

Accessories



Mounting feet

Cat. No.	Std. Ctn.	Std. Wt. (lb)
HLAMFSS	1 each (set of 4)	0.6



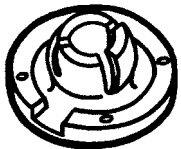
Panel adjuster kit

Cat. No.	Std. Ctn.	Std. Wt. (lb)
HLABPA4	1 each (set of 4)	0.31



Padlock device

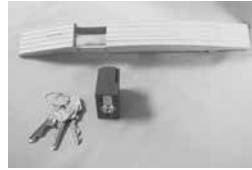
Cat. No.	Std. Ctn.	Std. Wt. (lb)
HLAPAD	8	0.61



Draining device*

Cat. No.	Std. Ctn.
HPVEA9	30

For 3R Rating and condensation buildup.
*Factory installation available.



Replacement handle with cylinder key lock

Cat. No.	Std. Ctn.	Std. Wt. (lb)
HLATEL	8	0.41



Standard replacement bar lock with key

Cat. No.	Std. Ctn.	Std. Wt. (lb)
HLATD	30	0.21

Replacement handle with pushbutton

Cat. No.	Std. Ctn.	Std. Wt. (lb)
HLAHAN	8	0.40

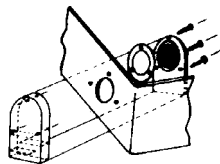


Air vents*

Cat. No.	Style	Std. Wt. (lb)
HPVM25	For fitting outside of all enclosures	1
HPVM35	For fitting inside of all enclosures	1

NEMA 1 Rated only.

*Factory installation available.



Enclosure ventilator*

Cat. No.	Std. Ctn.
HVM27	15

Enables any size enclosure to breathe, yet remain watertight.

*Factory installation available.

HLP Series

Enclosure and pedestal

—
01 Pedestal
—
02 Enclosure

Himeline HLP enclosures and pedestals are designed to accommodate all types of electrical equipment for electrical distribution applications.

The enclosure may be directly installed on the ground or on top of a pedestal, and the pedestal is approved for direct-burial applications.

Both are manufactured using fiber-reinforced polyester to provide high-impact resistance and enable effortless modifications. And, each has an IP43 self-ventilated and IP54 watertight rating and a temperature range of -58°F to 302°F.

Enclosure features:

- High impact resistance
- Non-conductive and non-corrosive
- Fits all type of electrical equipment
- IP43 self-ventilated
- IP54 watertight
- One- and two-door configurations
- Install directly on the ground or on a pedestal
- Removable inner hinges for great access
- Doors open 180°

Pedestal features:

- Can be direct buried
- Non-conductive and non-corrosive
- Detachable upper front for easy access
- High impact resistance
- Auxiliary outlet on the side
- IP43 self-ventilated
- IP54 watertight
- Floor- or wall-mountable

Material:

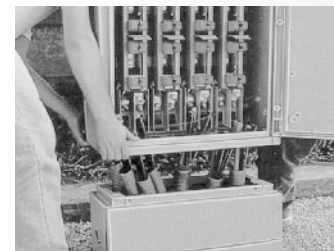
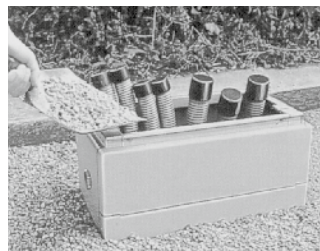
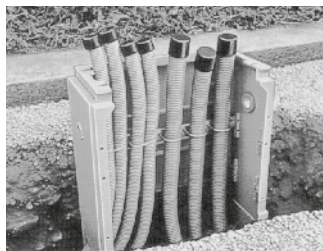
- Fiberglass-reinforced polyester



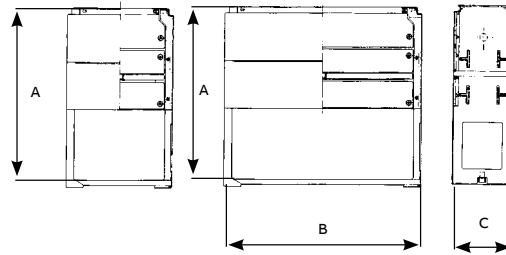
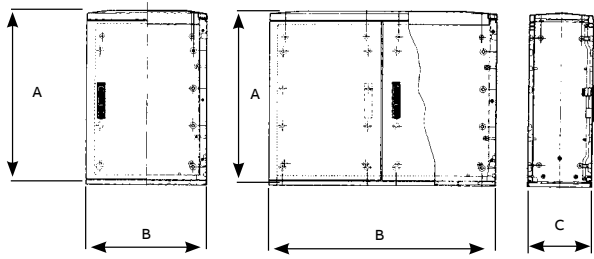
01

02

Applications:



Diagrams



Enclosures

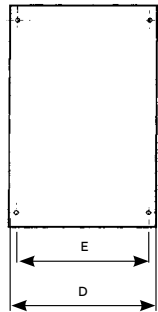
Cat. No.	No. of doors	No. of locks	Dimensions (in.)			Std. Ctn.	Std. Wt. (lb)
			A Height	B Width	C Depth		
HLP3318	1	1	33.46	18.31	12.60	1	40.79
HLP3323	1	1	33.46	23.23	12.60	1	48.50
HLP3331	1	1	33.46	30.91	12.60	1	55.12
HLP33442	2	1	33.46	43.90	12.60	1	77.16
HLP33442L	2	2	33.46	43.90	12.60	1	77.16

Consult customer service for availability and delivery.

Pedestals

Cat. No.	Dimensions (in.)			Std. Ctn.	Std. Wt. (lb)
	H	W	D		
HLPED3318	35.43	18.31	12.20	1	33.10
HLPED3323	35.43	23.23	12.20	1	37.48
HLPED3331	35.43	30.91	12.20	1	44.10
HLPED33442	35.43	43.90	12.20	1	55.12

Consult customer service for availability and delivery.



Mounting plates

Cat. No.	Enclosure Cat. No.	Pedestal Cat. No.	# of plates per encl.	Dimensions (in.)		Thickness (in.)	Std. Ctn.	Std. Wt. (lb)
				D	E			
LA1412BP	HLP3318	HLPED3318	1	14.02	11.97	.20	1	4.41
LA1816BP	HLP33442L	HLPED33442L	2	17.64	15.59	.20	1	11.02
LA1916BP	HLP3323	HLPED3323	1	18.94	16.89	.20	1	6.00
LA2725BP	HLP3331	HLPED3331	1	26.61	24.57	.20	1	8.38

Consult customer service for availability and delivery.

HLP Series

Accessories

Gasket

Cat. No.	Size (in.) H x W x D	Std. Ctn.	Std. Wt. (lb)
HLP3318G	33 x 18 x 12	1	2.2
HLP3323G	33 x 23 x 12	1	2.2
HLP3331G	33 x 31 x 12	1	2.2
HLP3344G	33 x 44 x 12	1	2.2

Consult customer service for availability and delivery.

Enclosures for electrical equipment

NEMA Types – definitions pertaining to non-hazardous locations

An enclosure is a surrounding case constructed to provide protection from accidental contact with the enclosed equipment and to provide protection to the enclosed equipment from specified environmental conditions. A brief description of the more common types of enclosures used by the electrical industry follows. For more information, see Table 110.28 of the National Electrical Code® and Table 65 from the Canadian Electrical Code.

Type 1 enclosure:

Intended for indoor use, primarily to provide protection against contact with enclosed equipment and a degree of protection against falling dirt.

Type 2 enclosure:

Intended for indoor use, primarily to provide a degree of protection against limited amounts of falling water and dirt.

Type 3 enclosure:

Intended for outdoor use, primarily to provide a degree of protection against wind-blown dust, rain, sleet and external ice formation.

Type 3R enclosure:

Intended for outdoor use, primarily to provide a degree of protection against falling rain, sleet and external ice formation.

Type 3S enclosure:

Intended for outdoor use, primarily to provide a degree of protection against wind-blown dust, rain and sleet, and to provide for operation of external mechanism when ice laden.

Type 3X enclosure:

Intended for outdoor use, primarily to provide a degree of protection against wind-blown dust, rain, sleet, external ice formation and corrosion.

Type 3SX enclosure:

Intended for outdoor use, primarily to provide a degree of protection against wind-blown dust, rain, sleet and corrosion, and to provide for operation of external mechanism when ice laden.

Type 4 enclosure:

Intended for indoor or outdoor use, primarily to provide a degree of protection against wind-blown dust and rain, splashing water and hose-directed water.

Type 4X enclosure:

Intended for indoor or outdoor use, primarily to provide a degree of protection against corrosion, wind-blown dust and rain, splashing water and hose-directed water.

Type 6 enclosure:

Intended for indoor or outdoor use, primarily to avoid a degree of protection against contact with enclosed equipment, falling dirt, hose-directed water, entry of water during occasional temporary submersion at a limited depth and external ice formation.

Type 6P enclosure:

Intended for indoor or outdoor use, primarily to provide a degree of protection against contact with enclosed equipment, falling dirt, hose-directed water, entry of water during prolonged submersion at a limited depth and external ice formation.

Type 12 enclosure:

Intended for indoor use, primarily to provide a degree of protection against dust, falling dirt and dripping non-corrosive liquids.

Type 13 enclosure:

Intended for indoor use, primarily to provide a degree of protection against dust, spraying of water, oil and non-corrosive coolant.








Index of ingress protection

IEC 60529 IP Rating and NEMA 250 Enclosures

IP suitability ratings are a system for classifying the degree of protection provided by enclosures of electrical equipment.

Protection against solid bodies



Degree of protection for persons against access to hazardous parts inside the enclosure and/or against the ingress of solid foreign objects.

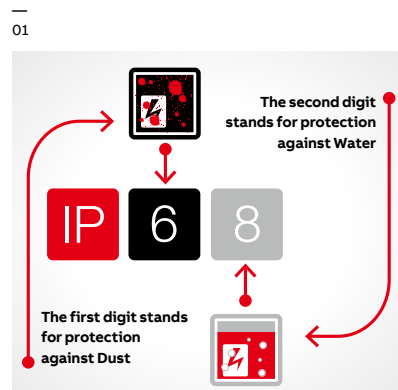
	0	No protection
	1	Objects greater than 50 mm, accidental touch by hands
	2	Objects greater than 12 mm, accidental touch by fingers
	3	Objects greater than 2.5 mm, e.g. tools/wires
	4	Objects greater than 1 mm, e.g. tools/wires/small wires
	5	Protected against dust - limited ingress (no harmful deposits)
	6	Totally protected against dust (Dust-tight)

—
01 IP Ratings
The higher the number, the greater the degree of protection; they apply ONLY to properly installed equipment.

Protection against water

Degree of protection of equipment inside enclosures against damage from the ingress of water.

	0	No protection
	1	Protected against vertically falling drops of water
	2	Protected against direct sprays of water 15° from vertical
	3	Protected against sprays of water to 60° from vertical
	4	Protected against water sprayed from all directions - limited ingress permitted
	5	Protected against low pressure jets of water from all directions - limited ingress permitted
	6	Protected against strong pressure jets of water, heavy seas - limited ingress permitted
	7	Protection against the effects of immersion between 15cm - 1 m
	8	Protection against long periods of immersion under a quoted pressure, e.g. 2 bar at 24 hours
	9	IP69 Automotive standard DIN40050 and signifies resistance to high pressure jets of water (up to 80bar) from any angle



—
Conversion of NEMA enclosure type ratings to IEC 60529 enclosure Classification Designations (IP)
 (Cannot be used to convert Classification Designations to NEMA type ratings)

IP 1st Character	1		2		3, 3X, 3S, 3SX		3R, 3RX		4, 4X		5		6		6P		12, 12K, 13		IP 2nd Character
IP0_																			IP0_0
IP1_																			IP0_1
IP2_																			IP0_2
IP3_																			IP0_3
IP4_																			IP0_4
IP5_																			IP0_5
IP6_																			IP0_6
																			IP0_7
																			IP0_8
	A	B	A	B	A	B	A	B	A	B	A	B	A	B	A	B	A	B	

—
NEMA 250 to IEC 60529



Technical information

Engineering properties of enclosures

Property	Test method	Opaque polycarbonate covers & boxes	Clear polycarbonate cover	FRP	NORYL
Thermal and mechanical					
Temperature Range (°C)	—	-34° to 110°	-30° to 230°	-50° to 160°	-40° to 80°
Temperature Range (°F)	—	-30° to 230°	-30° to 230°	-58° to 320°	-40° to 185°
Specific Gravity (oz.in ³)	ASTM D792	1.20	1.20	1.79	.85
Thermal Conductivity (BTU•in/hr•ft ² •F)	ASTM D177	1.35	1.35	1.68	.86
Heat Deflection Temperature @ 264 PSI (°F)	ASTM D648	265	260	392	180
Tensile Strength (PSI)	ASTM D638	8,800	9,000	13,000	3,400
Flexural Strength (PSI)	ASTM D790	13,500	14,000	19,000	6,800
Compressive Strength @ 10% Deformation (PSI)	ASTM D695	12,500	12,500	24,000	5,200
Impact Strength IZOD Notched (ft.lb/in.)	ASTM D256	12	12	12	—
Water Absorption – 24 hrs. @ 73°F (%)	ASTM D570	.15	.15	.17	.06
UV Rating	UL 746C	F1	F1	F2	—
Electrical					
Dielectric Strength (volts/mil.)	ASTM D149	380	380	467	192
Dielectric Constant	ASTM D150				
60 Hz			3.0	3.0	—
100 Hz			—	—	2.27
106 Hz		2.96	2.96	—	2.18
Volume Resistivity @ 73°F (OHM-CM)	ASTM D257	>10 ¹⁶	>10 ¹⁶	2.0 x 10 ¹⁵	1.0 x 10 ¹⁶
Arc Resistance (sec)	ASTM D495	120	120	200+	67

Clearance holes for Carflex® fittings or PVC male terminal adapters

Carflex fittings & PVC Male terminal adapters trade sizes	Nominal size (in.)	Actual size (in.)	Actual size (mm)
½	.875	.879	22.4
¾	1.093	1.107	28.2
1	1.344	1.357	34.6
1¼	1.813	1.699	43.2
1½	1.938	1.949	49.6
2	2.375	2.413	61.5
2½	2.875	2.914	74.0
3	3.5	3.539	89.8
3½	4	4.044	102.7
4	4.5	4.544	115.4
5	5.625	5.675	143.7

Technical information

Environmental resistance table: E–Excellent, G–Good, L–Limited, U–Unsatisfactory

Important: These environmental resistance ratings are based upon tests where the specimens were replaced in complete submergence in the reagent listed. Ratings listed in this chart apply to a 48-hour exposure period. (The information in this chart is to be used ONLY as a guide in selecting equipment for appropriate chemical compatibility. Before permanent installation, test the equipment with the chemicals and under the specific conditions of your application.)

Chemical	Polycarbonate		FRP (Fiberglass reinforced polyester)	
	PVC Himeline HE opaque cover w/ base	Circuit safe NEMA JIC Himeline HE clear cover w/ base Himeline HS opaque w/clear lids	Himeline HS – bases Himeline HP Himeline HLA/HLS Himeline HLP	Noryl Circuit safe medium JIC
Acetaldehyde	U	L	—	—
Acetamide	U	U	—	—
Acetate Solvent	U	—	—	U
Acetic Acid	U	G	E	E
Acetic Acid 20%	U	E	E	E
Acetic Acid 80%	L	G	E	E
Acetic Acid, Glacial	U	G	E	E
Acetic Anhydride	U	U	E	U
Acetone	U	U	U	U
Acetyl Bromide	U	—	—	—
Acetyl Chloride (dry)	L	U	—	U
Acetylene	E	U	—	—
Acrylonitrile	G	U	—	—
Adipic Acid	E	—	—	—
Alcohols: Amyl	E	G	—	L
Alcohols: Benzyl	U	—	—	U
Alcohols: Butyl	E	E	—	E
Alcohols: Diacetone	G	—	—	E
Alcohols: Ethyl	L	G	—	E
Alcohols: Hexyl	E	—	—	E
Alcohols: Isobutyl	E	—	—	E
Alcohols: Isopropyl	E	E	—	E
Alcohols: Methyl	E	G	—	E
Alcohols: Octyl	—	—	—	E
Alcohols: Propyl	E	—	—	E
Aluminum Chloride	E	E	E	E
Aluminum Chloride 20%	E	E	—	E
Aluminum Fluoride	E	—	—	E
Aluminum Hydroxide	E	G	—	E
Aluminum Nitrate	G	E	—	—
Aluminum Potassium Sulfate 10%	E	E	—	E
Aluminum Potassium Sulfate 100%	E	E	—	E
Aluminum Sulfate	E	E	E	E
Amines	U	U	—	U
Ammonia 10%	G	U	—	E
Ammonia Nitrate	G	—	—	E
Ammonia, anhydrous	E	U	—	G
Ammonia, liquid	E	U	L	—
Ammonium Acetate	E	—	—	—
Ammonium Bifluoride	E	—	—	E
Ammonium Carbonate	E	—	L	E
Ammonium Caseinate	—	—	—	E
Ammonium Chloride	E	E	E	E
Ammonium Hydroxide	E	U	L	E
Ammonium Nitrate	E	—	L	E

Chemical	Polycarbonate		FRP (Fiberglass reinforced polyester)	
	PVC Himeline HE opaque cover w/ base	Circuit safe NEMA JIC Himeline HE clear cover w/ base Himeline HS opaque w/clear lids	Himeline HS – bases Himeline HP Himeline HLA/HLS Himeline HLP	Noryl Circuit safe medium JIC
Ammonium Oxalate	E	E	—	—
Ammonium Persulfate	E	—	—	E
Ammonium Phosphate, Dibasic	E	E	—	E
Ammonium Phosphate, Monobasic	E	—	—	E
Ammonium Phosphate, Tribasic	E	—	—	E
Ammonium Sulfate	E	E	E	E
Ammonium Sulfite	E	—	E	E
Amyl Acetate	U	U	L	U
Amyl Alcohol	E	G	L	L
Amyl Chloride	U	—	U	U
Aniline	L	U	U	U
Aniline Hydrochloride	G	U	—	—
Antifreeze	E	—	—	E
Antimony Trichloride	E	E	E	E
Aqua Regia (80% HCl, 20% HNO ₃)	L	U	—	U
Aromatic Hydrocarbons	U	—	—	U
Arsenic Acid	E	E	—	E
Arsenic Salts	E	—	—	—
Asphalt	E	U	—	—
Barium Carbonate	E	E	E	E
Barium Chloride	E	E	E	E
Barium Cyanide	U	—	—	—
Barium Hydroxide	E	U	U	E
Barium Nitrate	E	U	—	E
Barium Sulfate	G	U	E	E
Barium Sulfide	E	—	E	E
Beer	E	E	—	E
Beet Sugar Liquids	E	—	—	E
Benzaldehyde	U	U	U	G
Benzene	L	U	L	U
Benzene Sulfonic Acid	E	U	E	E
Benzoic Acid	E	G	—	G
Benzol	—	U	—	G
Benzonitrile	—	E	—	—
Benzyl Chloride	—	—	—	U
Bleaching Liquors	E	—	—	—
Borax (Sodium Borate)	E	—	—	E
Boric Acid	E	—	E	E
Bromine	L	L	—	E
Butadiene	L	U	—	U
Butane	L	U	—	U
Butanol (Butyl Alcohol)	L	G	—	E
Butyl Amine	U	U	—	U
Butyl Ether	E	—	—	U
Butyl Phthalate	—	U	—	E

Technical information

Environmental resistance table: E-Excellent, G-Good, L-Limited, U-Unsatisfactory

Important: These environmental resistance ratings are based upon tests where the specimens were replaced in complete submergence in the reagent listed. Ratings listed in this chart apply to a 48-hour exposure period. (The information in this chart is to be used ONLY as a guide in selecting equipment for appropriate chemical compatibility. Before permanent installation, test the equipment with the chemicals and under the specific conditions of your application.)

Chemical	Polycarbonate (Circuit safe NEMA JIC)		FRP (Fiberglass reinforced polyester)	
	PVC Himeline HE opaque cover w/ base	Himeline HE clear cover w/ base Himeline HS opaque w/clear lids	Himeline HS – bases Himeline HP Himeline HLA/HLS Himeline HLP	Noryl Circuit safe medium JIC
Butylacetate	U	U	U	G
Butylene	E	U	—	—
Butyric Acid	G	U	—	U
Calcium Bisulfate	—	U	—	—
Calcium Bisulfide	E	—	—	E
Calcium Bisulfite	G	U	—	E
Calcium Carbonate	E	L	E	E
Calcium Chlorate	G	—	E	—
Calcium Chloride	L	—	E	E
Calcium Hydroxide	G	U	U	E
Calcium Hypochlorite	G	U	L	E
Calcium Nitrate	E	E	E	E
Calcium Oxide	G	—	—	E
Calcium Sulfate	G	E	E	E
Calgon	—	—	—	E
Cane Juice	E	—	—	—
Carbolic Acid (Phenol)	U	U	—	U
Carbon Bisulfide	U	—	L	—
Carbon Dioxide (dry)	E	—	—	E
Carbon Dioxide (wet)	E	—	—	E
Carbon Disulfide	U	U	—	U
Carbon Monoxide	E	—	—	E
Carbon Tetrachloride	U	U	E	U
Carbon Tetrachloride (dry)	—	—	—	U
Carbon Tetrachloride (wet)	—	—	—	U
Carbon Disulfide	U	U	—	U
Carbon Monoxide	E	—	—	E
Carbon Tetrachloride	U	U	E	U
Carbon Tetrachloride (dry)	—	—	—	U
Carbon Tetrachloride (wet)	—	—	—	U
Carbonated Water	E	—	—	E
Carbonic Acid	E	E	—	E
Catsup	E	—	—	E
Chloric Acid	E	—	—	U
Chlorine (dry)	U	—	—	G
Chlorine Water	E	—	E	L
Chlorine, Anhydrous Liquid	U	L	—	G
Chloroacetic Acid	G	U	—	—
Chlorobenzene (Mono)	U	U	U	U
Chlorobromomethane	U	—	—	—
Chloroform	U	U	—	U
Chlorosulfonic Acid	U	L	—	U
Chocolate Syrup	—	E	—	E
Chromic Acid 10%	E	G	E	E
Chromic Acid 30%	E	L	—	U

Chemical	Polycarbonate (Circuit safe NEMA JIC)		FRP (Fiberglass reinforced polyester)	
	PVC Himeline HE opaque cover w/ base	Himeline HE clear cover w/ base Himeline HS opaque w/clear lids	Himeline HS – bases Himeline HP Himeline HLA/HLS Himeline HLP	Noryl Circuit safe medium JIC
Chromic Acid 5%	E	G	—	E
Chromic Acid 50%	U	U	—	U
Chromium Salts	E	—	—	—
Citric Acid	G	E	E	E
Citric Oils	—	—	—	E
Clorox® (Bleach)	E	—	—	E
Copper Chloride	E	—	—	E
Copper Cyanide	E	U	—	E
Copper Fluoborate	E	—	—	—
Copper Nitrate	E	U	—	E
Copper Sulfate >5%	E	E	—	E
Copper Sulfate 5%	E	E	—	E
Cresols	U	U	U	U
Cresylic Acid	U	U	—	—
Cupric Acid	E	E	—	E
Cyclohexane	U	G	—	U
Cyclohexanone	U	U	—	U
Detergents	E	E	—	E
Diacetone Alcohol	U	U	—	—
Dichlorobenzene	U	U	—	—
Dichloroethane	U	U	—	E
Diesel Fuel	E	E	—	U
Diethyl Ether	U	U	—	—
Diethylamine	U	U	—	—
Diethylene Glycol	L	G	—	E
Dimethyl Aniline	U	U	U	U
Dimethyl Formamide	U	U	—	U
Diphenyl Oxide	U	—	—	—
Dyes	G	—	—	E
Epsom Salts (Magnesium Sulfate)	E	E	—	E
Ethane	E	—	—	—
Ethanol	L	G	—	E
Ethanolamine	U	—	—	E
Ether	U	—	L	U
Ethyl Acetate	U	U	L	E
Ethyl Benzoate	U	U	—	E
Ethyl Chloride	U	U	L	U
Ethyl Ether	U	—	U	U
Ethylene Bromide	U	U	—	—
Ethylene Chloride	U	U	—	U
Ethylene Chlorohydrin	U	U	E	—
Ethylene Diamine	U	E	—	U
Ethylene Dichloride	U	U	U	U
Ethylene Glycol	E	G	E	E
Ethylene Oxide	U	L	—	E

Technical information

Environmental resistance table: E-Excellent, G-Good, L-Limited, U-Unsatisfactory

Important: These environmental resistance ratings are based upon tests where the specimens were placed in complete submergence in the reagent listed. Ratings listed in this chart apply to a 48-hour exposure period. (The information in this chart is to be used ONLY as a guide in selecting equipment for appropriate chemical compatibility. Before permanent installation, test the equipment with the chemicals and under the specific conditions of your application.)

Chemical	PVC	Polycarbonate	FRP (Fiberglass reinforced polyester)	Noryl
	Himeline HE Opaque Cover w/Base	Himeline HE clear cover w/ base Himeline HS opaque w/clear lids	Himeline HS – bases Himeline HP Himeline HLA/HLS Himeline HLP	Circuit safe medium JIC
Fatty Acids	E	G	—	E
Ferric Chloride	E	E	E	E
Ferric Nitrate	E	E	E	E
Ferric Sulfate	E	E	E	E
Ferrous Chloride	E	U	E	E
Ferrous Sulfate	E	E	E	E
Fluoboric Acid	E	—	—	E
Fluorine	U	L	—	—
Fluosilicic Acid	U	E	—	E
Formaldehyde 100%	E	E	—	E
Formaldehyde 40%	E	E	E	E
Formic Acid	E	E	L	E
Freon 113	G	G	—	U
Freon 12	E	—	—	U
Freon 22	E	—	—	G
Freon TF	G	—	—	—
Freon ⁺ 11	E	—	—	G
Fuel Oils	E	G	—	G
Furan Resin	E	—	—	—
Furfural	U	U	L	U
Gallic Acid	G	—	—	E
Gasoline (high-aromatic)	E	E	—	G
Gasoline, leaded, ref.	G	E	E	G
Gasoline, unleaded	L	E	—	U
Gelatin	G	—	—	E
Glucose	E	E	E	E
Glue, P.V.A.	L	—	—	—
Glycerin	E	E	E	E
Glycolic Acid	G	—	—	—
Grease	E	—	—	—
Heptane	L	G	E	G
Hexane	G	U	U	G
Hydraulic Oil (Petro)	E	—	—	—
Hydraulic Oil (Synthetic)	E	—	—	—
Hydrazine	—	U	—	—
Hydrobromic Acid 100%	E	—	—	G
Hydrobromic Acid 20%	G	—	—	G
Hydrochloric Acid 100%	U	U	—	E
Hydrochloric Acid 20%	E	G	E	E
Hydrochloric Acid 37%	G	U	L	E
Hydrochloric Acid, Dry Gas	E	—	—	E
Hydrocyanic Acid	G	—	—	E
Hydrocyanic Acid (Gas 10%)	E	G	—	L
Hydrofluoric Acid 100%	L	U	—	U
Hydrofluoric Acid 20%	G	U	—	L

Chemical	PVC	Polycarbonate	FRP (Fiberglass reinforced polyester)	Noryl
	Himeline HE Opaque Cover w/Base	Himeline HE clear cover w/ base Himeline HS opaque w/clear lids	Himeline HS – bases Himeline HP Himeline HLA/HLS Himeline HLP	Circuit safe medium JIC
Hydrofluoric Acid 50%	G	U	—	U
Hydrofluoric Acid 75%	L	U	—	U
Hydrofluosilicic Acid 100%	G	—	—	G
Hydrofluosilicic Acid 20%	E	—	—	G
Hydrogen Gas	E	E	—	E
Hydrogen Peroxide 10%	E	E	—	E
Hydrogen Peroxide 100%	E	E	—	E
Hydrogen Peroxide 30%	E	E	E	E
Hydrogen Peroxide 50%	E	E	E	—
Hydrogen Sulfide (aqua)	G	E	—	E
Hydrogen Sulfide (dry)	E	—	—	—
Hydroquinone	G	—	—	—
Hydroxyacetic Acid 70%	U	—	—	—
Ink	L	—	—	—
Iodine	E	—	—	L
Iodine (in alcohol)	E	—	—	—
Iodoform	E	—	—	—
Isooctane	E	G	—	U
Isopropyl Acetate	U	U	—	—
Isopropyl Ether	G	U	—	—
Isotane	E	—	—	—
Jet Fuel (JP3, JP4, JP5)	L	E	—	U
Kerosene	E	U	—	U
Ketones	U	U	—	U
Lacquer Thinners	U	G	—	U
Lacquers	U	U	—	U
Lactic Acid	G	G	E	E
Lard	E	E	—	E
Lead Acetate	G	—	—	E
Lead Nitrate	E	—	—	E
Lead Sulfamate	G	E	—	—
Lime	G	—	—	—
Linoleic Acid	E	—	—	—
Lithium Chloride	U	G	—	—
Lithium Hydroxide	—	U	—	—
Lubricants	G	E	—	L
Lye: Ca(OH) ₂ Calcium Hydroxide	G	U	—	E
Lye: KOH Potassium Hydroxide	G	U	—	E
Lye: NaOH Sodium Hydroxide	E	U	—	E
Epsom Salts (Magnesium Sulfate)	E	E	—	E
Magnesium Bisulfate	E	E	—	—
Magnesium Carbonate	G	E	E	E
Magnesium Chloride	G	E	E	E
Magnesium Hydroxide	E	E	G	E
Magnesium Nitrate	E	E	—	E

Technical Information

Environmental resistance table: E-Excellent, G-Good, L-Limited, U-Unsatisfactory

Important: These environmental resistance ratings are based upon tests where the specimens were placed in complete submergence in the reagent listed. Ratings listed in this chart apply to a 48-hour exposure period. (The information in this chart is to be used ONLY as a guide in selecting equipment for appropriate chemical compatibility. Before permanent installation, test the equipment with the chemicals and under the specific conditions of your application.)

Chemical	PVC	Polycarbonate	FRP	Noryl
	Himeline HE opaque cover w/ base	Himeline HE clear cover w/ base Himeline HS opaque w/clear lids	(Fiberglass reinforced polyester) Himeline HS – bases Himeline HP Himeline HLA/HLS Himeline HLP	Circuit safe medium JIC
Magnesium Oxide	—	—	—	—
Magnesium Sulfate (Epsom Salts)	E	E	E	E
Maleic Acid	E	—	—	E
Malic Acid	E	—	—	—
Manganese Sulfate	L	E	—	E
Mayonnaise	U	—	—	—
Melamine	U	—	—	—
Mercuric Chloride (dilute)	E	E	—	E
Mercuric Cyanide	E	—	—	—
Mercurous Nitrate	E	E	—	E
Mercury	E	U	—	E
Methane	G	—	—	—
Methanol (Methyl Alcohol)	E	G	L	E
Methyl Acetate	U	U	—	—
Methyl Acetone	U	—	—	—
Methyl Alcohol 10%	E	G	—	E
Methyl Bromide	U	—	—	—
Methyl Butyl Ketone	E	U	—	—
Methyl Cellosolve	U	U	—	—
Methyl Chloride	U	U	—	U
Methyl Dichloride	E	—	—	—
Methyl Ethyl Ketone	U	U	E	U
Methyl Isobutyl Ketone	U	U	—	U
Methyl Isopropyl Ketone	U	U	—	U
Methyl Methacrylate	E	—	—	—
Methylamine	U	—	—	—
Methylene Chloride	U	U	U	U
Mineral Spirits	E	L	—	E
Monochloroacetic acid	—	U	—	—
Monoethanolamine	U	—	—	E
Morpholine	—	U	—	U
Motor oil	G	E	—	E
Naphtha	E	G	E	U
Naphthalene	U	—	—	U
Natural Gas	E	—	—	—
Nickel Chloride	E	E	—	E
Nickel Nitrate	E	U	—	E
Nickel Sulfate	E	E	—	E
Nitrating Acid (<15% HNO ₃)	U	—	—	—
Nitrating Acid (>15% H ₂ SO ₄)	U	—	—	—
Nitrating Acid (1% Acid)	U	—	—	—
Nitrating Acid (15% H ₂ SO ₄)	U	—	—	—
Nitric Acid (20%)	E	G	G	G
Nitric Acid (50%)	G	G	—	G
Nitric Acid (50%)	G	G	—	G

Chemical	PVC	Polycarbonate	FRP	Noryl
	Himeline HE opaque cover w/ base	Himeline HE clear cover w/ base Himeline HS opaque w/clear lids	(Fiberglass reinforced polyester) Himeline HS – bases Himeline HP Himeline HLA/HLS Himeline HLP	Circuit safe medium JIC
Nitric Acid (5–10%)	E	E	—	E
Nitric Acid (Concentrated)	G	L	—	G
Nitrobenzene	U	U	L	U
Nitromethane	G	U	—	U
Nitrous Acid	E	—	—	—
Nitrous Oxide	E	—	—	—
Oil: Aniline	U	—	—	U
Oil: Citric	G	E	—	E
Oil: Creosote	L	—	—	U
Oil: Diesel Fuel (20, 30, 40, 50)	G	—	—	U
Oils: Fuel (1, 2, 3, 5A, 5B, 6)	E	G	—	E
Oil: Hydraulic Oil (Petro)	E	—	—	—
Oil: Hydraulic Oil (Synthetic)	E	—	—	—
Oil: Mineral	G	G	—	E
Oil: Olive	L	E	—	E
Oil: Orange	L	L	—	—
Oil: Pine	U	E	—	—
Oil: Rosin	L	—	—	—
Oil: Silicone	E	—	—	E
Oil: Transformer	G	—	—	—
Oil: Turbine	E	—	—	—
Oleic Acid	L	—	E	E
Oleum 100%	U	—	—	E
Oleum 25%	U	—	—	—
Oxalic Acid (cold)	G	—	E	E
Ozone	G	E	—	—
Palmitic Acid	G	—	—	—
Paraffin	G	E	—	E
Pentane	E	E	—	—
Perchloric Acid	L	—	—	—
Perchloroethylene	L	U	—	U
Petrolatum	G	—	—	—
Petroleum	—	—	—	U
Phenol (10%)	L	G	L	U
Phenol (Carbolic Acid)	U	U	—	U
Phosphoric Acid (>40%)	G	E	—	E
Phosphoric Acid (crude)	G	E	—	E
Phosphoric Acid (molten)	U	—	—	—
Phosphoric Acid (40%)	G	E	—	E
Phosphoric Acid Anhydride	—	U	—	—
Phosphorus	E	—	—	—
Phosphorus Trichloride	U	L	—	—
Photographic Developer	E	E	—	E
Photographic Solutions	E	E	—	E
Phthalic Anhydride	U	E	—	—

Technical Information

Environmental resistance table: E-Excellent, G-Good, L-Limited, U-Unsatisfactory

Important: These environmental resistance ratings are based upon tests where the specimens were placed in complete submergence in the reagent listed. Ratings listed in this chart apply to a 48-hour exposure period. (The information in this chart is to be used ONLY as a guide in selecting equipment for appropriate chemical compatibility. Before permanent installation, test the equipment with the chemicals and under the specific conditions of your application.)

Chemical	PVC	Polycarbonate	FRP	Noryl
	Himeline HE opaque cover w/ base	Himeline HE clear cover w/ base Himeline HS opaque w/clear lids	(Fiberglass reinforced polyester) Himeline HS – bases Himeline HP Himeline HLA/HLS Himeline HLP	Circuit safe medium JIC
Picric Acid	U	U	—	—
Potash (Potassium Carbonate)	E	—	L	E
Potassium Bicarbonate	E	—	—	E
Potassium Bromide	E	E	—	E
Potassium Chlorate	E	E	—	E
Potassium Chloride	E	E	E	E
Potassium Chromate	E	—	E	E
Potassium Cyanide Solutions	E	—	—	E
Potassium Dichromate	E	E	—	E
Potassium Ferricyanide	E	—	E	E
Potassium Ferrocyanide	E	—	E	E
Potassium Hydroxide (Caustic Potash)	E	U	L	E
Potassium Hypochlorite	G	—	—	—
Potassium Iodide	E	—	—	—
Potassium Nitrate	E	E	E	E
Potassium Oxalate	—	—	—	—
Potassium Permanganate	E	E	E	E
Potassium Sulfate	E	E	E	E
Potassium Sulfide	E	—	—	E
Propane (liquefied)	E	L	—	E
Propylene	G	—	—	—
Propylene Glycol	L	G	—	—
Pyridine	U	U	—	G
Pyrogalllic Acid	E	—	—	—
Resorcinol	L	G	—	—
Rosins	L	—	—	—
Salicylic Acid	G	E	—	—
Salt Brine (NaCl saturated)	E	E	—	E
Sea Water	E	E	—	E
Silicone	E	E	—	E
Silver Bromide	—	—	—	E
Silver Nitrate	E	E	—	E
Soap Solutions	E	E	—	E
Soda Ash (see Sodium Carbonate)	E	E	—	E
Sodium Acetate	G	E	E	E
Sodium Aluminate	—	—	—	E
Sodium Benzoate	G	E	—	—
Sodium Bicarbonate	E	E	E	E
Sodium Bisulfate	E	E	—	E
Sodium Bisulfite	E	E	—	E
Sodium Borate (Borax)	E	E	—	E
Sodium Bromide	G	—	E	E
Sodium Carbonate	E	E	—	E
Sodium Chlorate	E	E	E	E
Sodium Chloride	E	E	E	E

Chemical	PVC	Polycarbonate	FRP	Noryl
	Himeline HE opaque cover w/ base	Himeline HE clear cover w/ base Himeline HS opaque w/clear lids	(Fiberglass reinforced polyester) Himeline HS – bases Himeline HP Himeline HLA/HLS Himeline HLP	Circuit safe medium JIC
Sodium Chromate	—	E	—	E
Sodium Cyanide	E	—	—	E
Sodium Ferrocyanide	E	—	E	E
Sodium Fluoride	E	—	—	E
Sodium Hydrosulfite	L	—	—	—
Sodium Hydroxide (20%)	E	E	U	E
Sodium Hydroxide (50%)	E	U	U	E
Sodium Hydroxide (80%)	E	U	U	E
Sodium Hypochlorite (<20%)	E	L	L	E
Sodium Hypochlorite (100%)	G	—	—	E
Sodium Metaphosphate	E	—	—	—
Sodium Metasilicate	E	—	—	—
Sodium Nitrate	E	—	U	E
Sodium Perborate	E	—	—	E
Sodium Peroxide	G	E	—	—
Sodium Polyphosphate	E	—	—	E
Sodium Silicate	E	—	—	E
Sodium Sulfate	E	E	E	E
Sodium Sulfide	E	U	U	E
Sodium Sulfite	E	—	E	E
Sodium Tetraborate	E	—	—	E
Sodium Thiosulfate (hypo)	E	U	—	E
Stannic Chloride	E	E	—	E
Stannic Fluoborate	—	—	—	E
Stannous Chloride	E	—	—	E
Stearic Acid	G	E	—	E
Stoddard Solvent	L	E	—	U
Styrene	U	U	—	E
Sulfate (Liquors)	G	—	—	—
Sulfur Chloride	L	—	—	E
Sulfur Dioxide	E	—	—	E
Sulfur Dioxide (dry)	E	E	—	E
Sulfur Hexafluoride	G	—	—	—
Sulfur Trioxide	E	—	—	U
Sulfur Trioxide (dry)	E	—	—	U
Sulfuric Acid (<10%)	E	E	E	E
Sulfuric Acid (10–75%)	E	G	U	E
Sulfuric Acid (75–100%)	U	U	—	E
Sulfuric Acid (cold concentrated)	U	—	—	E
Sulfuric Acid (hot concentrated)	U	U	—	U
Sulfurous Acid	E	—	—	E
Tallow	—	—	—	E
Tannic Acid	E	L	—	E
Tanning Liquors	E	—	—	E
Tartaric Acid	E	—	E	E

Technical information

Environmental Resistance Table: E–Excellent, G–Good, L–Limited, U–Unsatisfactory

Important: These environmental resistance ratings are based upon tests where the specimens were placed in complete submergence in the reagent listed. Ratings listed in this chart apply to a 48-hour exposure period. (The information in this chart is to be used ONLY as a guide in selecting equipment for appropriate chemical compatibility. Before permanent installation, test the equipment with the chemicals and under the specific conditions of your application.)

Chemical	Polycarbonate		FRP	Noryl
	PVC	Himeline HE	(Fiberglass reinforced polyester)	
	Himeline HE opaque cover w/base	Himeline HE clear cover w/base Himeline HS opaque w/clear lids	Himeline HS – bases Himeline HP Himeline HLA/HLS Himeline HLP	Circuit Safe medium J IC
Tetrachloroethane	L	—	—	U
Tetrachloroethylene	U	U	—	U
Tetrahydrofuran	U	U	L	U
Tin Salts	E	—	—	—
Toluene (Toluol)	U	U	—	U
Trichloroacetic Acid	G	U	—	—
Trichloroethane	L	U	—	U
Trichloroethylene	U	—	U	U
Trichloropropane	—	—	—	U
Tricresylphosphate	U	—	—	E
Triethylamine	G	—	—	G
Trisodium Phosphate	E	—	—	E
Turpentine	U	U	E	U
Urea	U	U	L	E
Uric Acid	E	—	—	—
Varnish	U	—	—	U

Chemical	Polycarbonate		FRP	Noryl
	PVC	Himeline HE	(Fiberglass reinforced polyester)	
	Himeline HE opaque cover w/base	Himeline HE clear cover w/base Himeline HS opaque w/clear lids	Himeline HS – bases Himeline HP Himeline HLA/HLS Himeline HLP	Circuit Safe medium JIC
Vinegar	G	E	E	E
Vinyl Acetate	U	—	—	—
Vinyl Chloride	U	—	—	—
Water, Acid, Mine	G	G	—	—
Water, Deionized	E	—	—	E
Water, Distilled	E	E	—	E
Water, Fresh	G	E	—	E
Water, Salt	G	E	—	E
Whiskey & Wines	E	E	—	E
White Liquor (Pulp Mill)	E	—	—	E
White Water (Paper Mill)	E	—	—	U
Xylene	U	U	E	G
Zinc Chloride	G	E	E	E
Zinc Hydrosulfite	—	—	—	E
Zinc Sulfate	E	E	E	E