

Circuit Safe

JIC enclosures

Manufactured from structural foam thermoplastic, Carlon Circuit Safe JIC enclosures provide high-impact strength to eliminate dents and deformations along with high dielectric strength, excellent weathering capabilities and excellent resistance to a wide range of corrosive agents, acids, alkalines and salts.

These UL Approved and CSA certified enclosures also withstand wet and dirty environments, while their thick-wall construction make them a particularly good choice wherever condensation is a concern. Rated for use in Type 1, 3, 3S, 3X, 3SX, 4, 4X, 12 and 13 environments, Carlon Circuit Safe JIC enclosures are suited for virtually all indoor/outdoor industrial, MRO and OEM applications.

They are available in 10 sizes from 6 x 6 x 5 through 30 x 24 x 12 with a choice of screw or hinged design, opaque covers or clear polycarbonate covers that protect devices from hostile environments while enabling monitoring of instrumentation and/or electrical functions.

Features and benefits:

- Hinge caps make covers captive
- Nonmetallic molded-in hinges on hinged models
- No rough corners, sharp edges or burrs
- Non-conductive – eliminates danger of electrical shock
- Lid design provides greater usable internal volume
- Ample interior space for ease of wiring
- Fully gasketed
- Ultraviolet stabilized for outdoor use

Applications:

- Instrument case
- Junction and terminal boxes
- Control and switching enclosures
- Splice and pull boxes
- Starter, pushbutton and transformer housings
- Meter and transformer cabinets

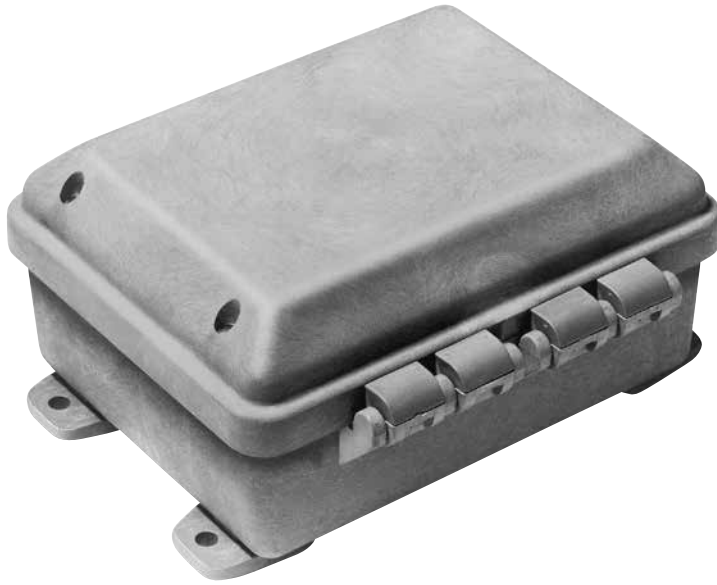
Standards:

- Meets NEMA Types 1, 3, 3S, 3X, 3SX, 4, 4X, 12, 13 as indicated
- UL Listed per UL 50, enclosures for electrical equipment
- CSA Certified
- JIC compliance



Hinged covers

Meets NEMA 1, 3, 3S, 3X, 3SX, 4, 4X, 12, 13



Features and benefits:

- Nonmetallic mounting feet and all mounting hardware included
- White-painted 14-gauge steel or 1/4" PVC back panel (order separately)
- 304 (18-8) stainless steel screws (10-32/1 1/8")
- Lid design provides greater usable internal volume
- Completely nonmetallic hinges
- Brass screw inserts
- Temperature range: -34°C to 110°C (-30°F to 230°F)
- Material: polycarbonate molded base and cover

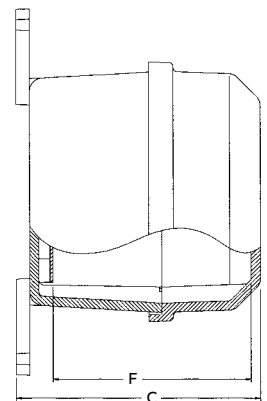
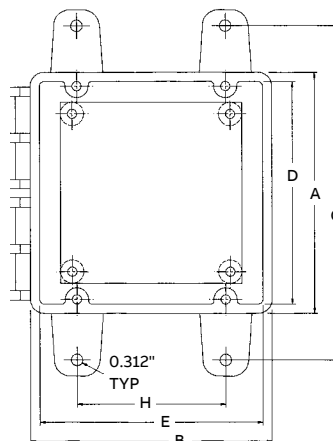


Factory assembled

Opaque cover Cat. No.	Clear cover Cat. No.	Dimensions (in.)								Std. Wt. (lb) Opaque/Clear	Back panel*		Panel Size (in.)	Std. Wt. (lb) Steel/PVC
		External			Internal			Mounting			Cat. No.	Steel		
		A	B	C	D	E	F	G	H					
CJ665	CC665	6.50	6.50	6.69	6.00	6.00	5.45	9.00	4.00	1 (Opa 3.5)/ 1 (Clr 3.1)	JP66	JP66P	4.88 x 4.88	1 (1.0)/1 (0.3)
CJ863	CC863	8.50	6.50	4.49	8.00	6.00	3.25	11.00	4.00	1 (Opa 2.8)/ 1 (Clr 3.1)	JP86	JP86P	6.75 x 4.88	1 (1.0)/1 (0.78)
CJ1085	CC1085	10.50	8.50	6.69	10.00	8.00	5.45	13.00	6.00	1 (Opa 5.2)/ 1 (Clr 5.2)	JP108	JP108P	8.75 x 6.88	1 (1.5)/1 (0.7)
CJ12106	CC12106	12.50	10.50	7.69	12.00	10.00	6.45	15.00	8.00	1 (Opa 7.1)/ 1 (Clr 8.4)	JP1210	JP1210P	10.75 x 8.88	1 (2.0)/1 (1.2)
CJ14126	CC14126	14.50	12.50	7.72	14.00	12.00	6.48	17.00	10.00	1 (Opa 9.0)/ 1 (Clr 8.6)	JP1412	JP1412P	12.75 x 10.88	1 (3.2)/1 (1.7)
CJ16147	CC16147	16.50	14.50	8.46	16.00	14.00	7.22	19.00	12.00	1 (Opa 10.6)/ 1 (Clr 11.9)	JP1614	JP1614P	14.75 x 12.88	1 (4.7)/1 (2.3)

*Order back panels separately.
Enclosures shipped with mounting feet, hinge caps and screws.
For factory-installed pad-lockable latch (part no. CJTL), consult customer service for price and delivery.

Diagrams



Screw-on covers

Meets NEMA 1, 3, 3S, 3X, 3SX, 4, 4X, 12, 13



Features and benefits:

- Nonmetallic mounting feet and all mounting hardware included
- 304 (18-8) stainless steel screws (10-32/1½")
- Brass screw inserts
- Clear polycarbonate cover available
- White-painted 14-gauge steel or ¼" PVC back panel (order separately)
- Lid design provides greater usable internal volume
- Temperature range: -34°C to 110°C (-30°F to 230°F)
- Material: polycarbonate molded base and cover

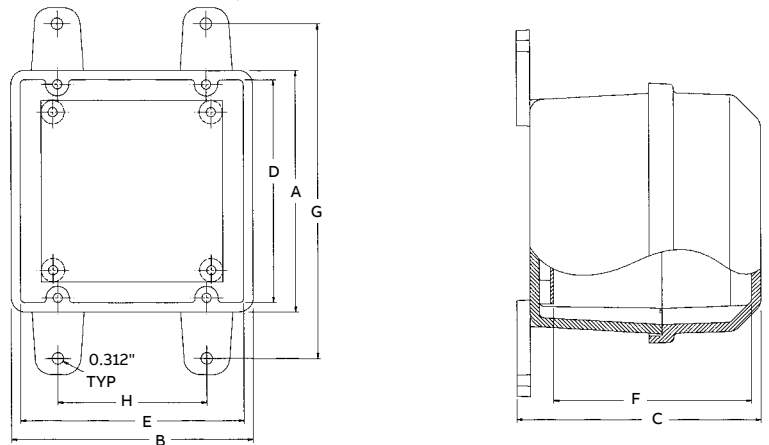


Factory assembled

Opaque cover Cat. No.	Clear cover Cat. No.	Dimensions (in.)								Std. Wt. (lb) Opaque/Clear	Back panel*		Panel Size (in.)	Std. Wt. (lb) Steel/PVC
		External			Internal			Mounting			Cat. No.	Steel		
		A	B	C	D	E	F	G	H					
CS665	CV665	6.50	6.50	6.69	6.00	6.00	5.45	9.00	4.00	1 (Opa 2.7)/1 (Clr 2.9)	JP66	JP66P	4.88 x 4.88	1 (1.0)/1 (0.3)
CS863	CV863	8.50	6.50	4.49	8.00	6.00	3.25	11.00	4.00	1 (Opa 2.9)/1 (Clr 2.9)	JP86	JP86P	6.75 x 4.88	1 (1.0)/1 (0.4)
CS1085	CV1085	10.50	8.50	6.69	10.00	8.00	5.45	13.00	6.00	1 (Opa 5.0)/1 (Clr 5.0)	JP108	JP108P	8.75 x 6.88	1 (1.5)/1 (0.7)
CS12106	CV12106	12.50	10.50	7.69	12.00	10.00	6.45	15.00	8.00	1 (Opa 6.5)/1 (Clr 7.2)	JP1210	JP1210P	10.75 x 8.88	1 (2.0)/1 (1.2)
CS14126	CV14126	14.50	12.50	7.72	14.00	12.00	6.48	17.00	10.00	1 (Opa 8.0)/1 (Clr 8.8)	JP1412	JP1412P	12.75 x 10.88	1 (3.2)/1 (1.7)
CS16147	CV16147	16.50	14.50	8.46	16.00	14.00	7.22	19.00	12.00	1 (Opa 11.5)/1 (Clr 10.8)	JP1614	JP1614P	14.75 x 12.88	1 (4.7)/1 (2.3)

*Order back panels separately.
Enclosures shipped with mounting feet and panel mounting hardware.

Diagrams



Medium hinged covers

Meets NEMA 1, 3, 3S, 3X, 3SX, 4, 4X, 12, 13



Features and benefits:

- Nonmetallic mounting feet and all mounting hardware included
- White-painted 14-gauge steel or ¼" PVC back panel (order separately)
- 304 (18-8) stainless steel screws (10-32/1½")
- Completely nonmetallic hinges
- Brass screw inserts
- Temperature range: -40°C to 85°C (-40°F to 185°F)
- Material: NORYL base and cover



Factory assembled

Cat. No.	Dimensions (in.)								Std. Wt. (lb)	Back panel*		Panel Size (in.)	Std. Wt. (lb) Steel/PVC
	External			Internal			Mounting			Cat. No.	Steel		
	A	B	C	D	E	F	G	H					
C2016A4	20.50	16.50	8.36	17.25	13.25	6.28	21.26	10.00	1 (15.1)	NP2016	NP2016P	17 x 13.25	1 (7.0)/1 (6.1)
C2016B4	20.50	16.50	10.36	17.25	13.25	8.28	21.26	10.00	1 (17.2)	NP2016	NP2016P	17 x 13.25	1 (7.0)/1 (6.1)
C2016C4	20.50	16.50	12.36	17.25	13.25	10.28	21.26	10.00	1 (19.7)	NP2016	NP2016P	17 x 13.25	1 (7.0)/1 (6.1)
C2420A4	24.50	20.50	8.36	21.25	17.25	6.28	25.26	14.00	1 (21.5)	NP2420	NP2420P	21 x 17	1 (10.4)/1 (4.7)
C2420B4	24.50	20.50	10.36	21.25	17.25	8.28	25.26	14.00	1 (24)	NP2420	NP2420P	21 x 17	1 (10.4)/1 (4.7)
C2420C4	24.50	20.50	12.36	21.25	17.25	10.28	25.26	14.00	1 (24.9)	NP2420	NP2420P	21 x 17	1 (10.4)/1 (4.7)
C3024A4	30.50	24.50	8.36	27.25	21.25	6.28	31.26	18.00	1 (28.4)	NP3024	NP3024P	27 x 21	1 (18.0)/1 (9.8)
C3024B4	30.50	24.50	10.36	27.25	21.25	8.28	31.26	18.00	1 (31.4)	NP3024	NP3024P	27 x 21	1 (18.0)/1 (9.8)
C3024C4	30.50	24.50	12.36	27.25	21.25	10.28	31.26	18.00	1 (33.8)	NP3024	NP3024P	27 x 21	1 (18.0)/1 (9.8)

*Order back panels separately.

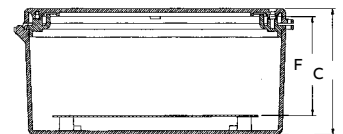
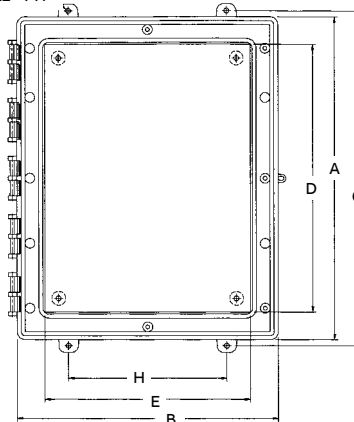
*Enclosure only available with opaque hinged cover.

Enclosures shipped with mounting feet, hinge caps and screws.

For factory-installed pad-lockable latch (part no. CJTL), consult customer service for price and delivery.

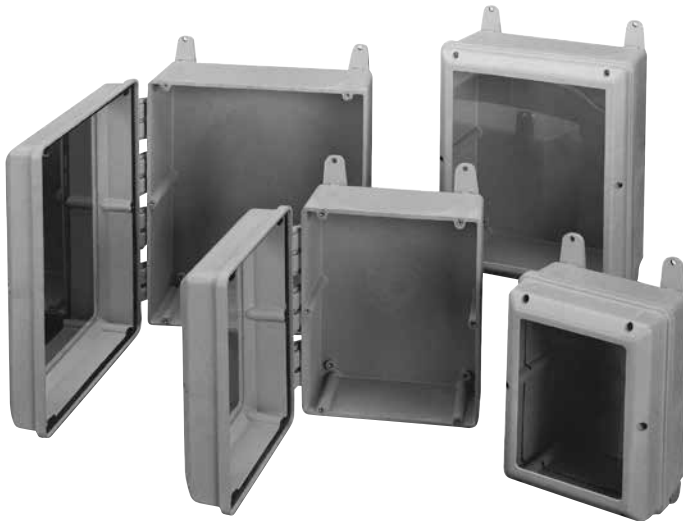
Diagrams

0.312" TYP



Hinged window cover

Meets NEMA 1, 3, 3S, 3X, 3SX, 4, 4X, 12, 13



Features and benefits:

- Nonmetallic mounting feet and all mounting hardware included
- 304 (18-8) stainless steel screws (10-32/1½")
- White-painted 14-gauge steel or ¼" PVC back panel (order separately)
- Completely nonmetallic hinges
- Lid design provides greater usable internal volume
- Brass screw inserts
- Material: polycarbonate molded base and cover

Note: Window material ½" thick, clear polycarbonate is permanently bonded to the cover.



Factory assembled

Cat. No.	Dimensions (in.)										Std. Wt. (lb)	Back panel*		Panel Size (in.)	Std. Wt. (lb) Steel/PVC
	External				Internal			Mounting				Steel	PVC		
	A	B	C	D	E	F	G	H	J	K					
J665W	6.50	6.50	6.69	6.00	6.00	5.45	9.00	4.00	3.75	3.75	1 (3.1)	JP66	JP66P	4.88 x 4.88	1 (1.0)/1 (0.3)
J863W	8.50	6.50	4.49	8.00	6.00	3.25	11.00	4.00	3.75	3.75	1 (3.2)	JP86	JP86P	6.75 x 4.88	1 (1.0)/1 (0.78)
J1085W	10.50	8.50	6.69	10.00	8.00	5.45	13.00	6.00	7.75	5.75	1 (5.6)	JP108	JP108P	8.75 x 6.88	1 (1.5)/1 (0.7)
J12106W	12.50	10.50	7.69	12.00	10.00	6.45	15.00	8.00	9.75	7.75	1 (7.4)	JP1210	JP1210P	10.75 x 8.88	1 (2.0)/1 (1.2)

Enclosures shipped with mounting feet, hinge caps and screws.

*Order back panels separately.

For factory-installed pad-lockable quick-release latch (part no. CJTL), consult customer service for price and delivery.

Diagrams

