

Red Dot Weatherproof metallic boxes

Universal boxes and covers

Applications:

- Dry-Tite boxes and covers protect wiring devices, switches, electronic components and terminal blocks in dry, damp and wet locations
- Accessible wiring chamber provides a convenient location to maintain or change a system, pull conductors and make splices
- Junction box for branch conduits

Features/benefits:

- Aluminum alloy, zinc alloy and stainless steel springs provide increased corrosion resistance
- Die-cast construction and industrial design combine to produce a rugged protective enclosure for devices on many applications
- Clean cover edges provide good gasket sealing
- Precision-cast and machined surfaces permit safer wire pulling
- Clear UL, CSA and cubic content markings speed approval by inspectors
- Convenient mounting lugs for a variety of mounting methods
- Securely fastened mounting plates reduce costly callbacks

Standard materials:

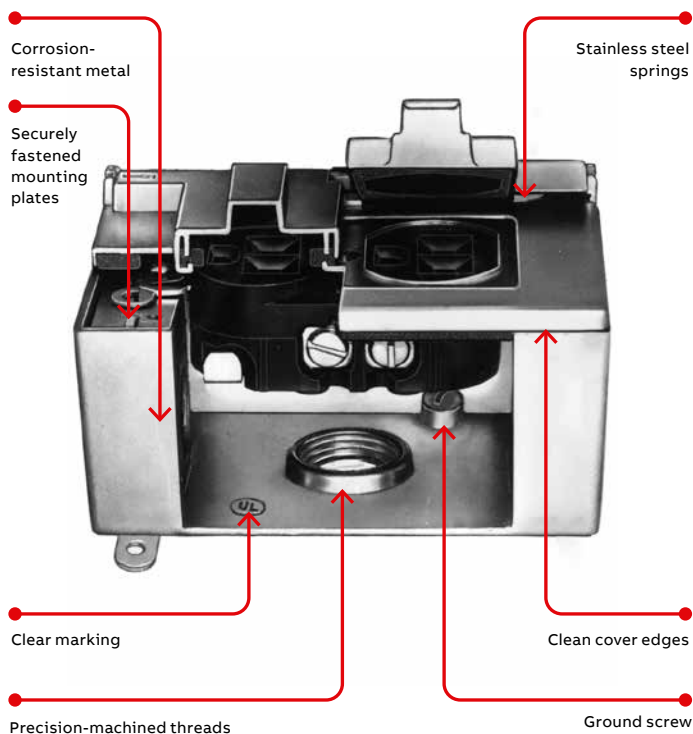
- Boxes: Die-cast aluminum alloy
- Cover plates: Stamped aluminum alloy or die-cast zinc alloy
- Cover lids: Die-cast zinc alloy

Standard finish:

- Powder-coated finish

Compliances:

- UL listed (UL File No. E-28688)
- Boxes: CSA certified with factory-installed ground screw
- Covers: CSA certified
- Covers suitable for use in wet locations with covers closed
- CCB and CCT series covers suitable for use in wet locations
- NEMA 3R rated



2CCT



2IH5-1



CCD



IH3-1-LM

Accessible wiring chamber provides a convenient location to pull conductors and make splices in dry, damp or wet locations.


- Maximum cubic capacity
- Securely fastened mounting plates
- Corrosion-resistant materials
- Powder-coated finish
- Ground screw included
- Precision-machined threads
- Clear UL, CSA and cubic volume marking

Red Dot Weatherproof metallic boxes


Universal boxes and covers

Single-gang – 2" deep



	Cat. no.	Hub size (in.)	Colour	Std. ctn.	
Three outlets					
	S105CN	IH3-1-LM•	½	Grey	50
		S100CN*	½	Grey	20
		S100BRCN*	½	Bronze	25
		S100WHCN*	½	White	25
		S105CN*	¾	Grey	25
D-PAK					
	DIH3-1-LM•	½	Grey	10	
	DIH3-1-LM-WH•	½	White	10	
	DIH3-2-LM•	¾	Grey	10	
	B13030G	1		10	

Four outlets

	IH4-1	IH4-1	½	Grey	50
		IH4-2	¾	Grey	50
		IH4-1-LM•	½	Grey	50
		IH4-2-LM•	¾	Grey	50
D-PAK					
	DIH4-2-LM•	¾	Grey	10	

Five outlets

	IH5-1	IH5-1-LM•	½	Grey	25
		IH5-2-LM•	¾	Grey	25
		S102CN*	½	Grey	20
		S107CN*	¾	Grey	16

Five outlets (2-side)

	B1501SGR	B1501SGR	½	Grey	16
		B1502SG	¾	Grey	25



Note: Raintight when used with appropriate Red Dot covers. Boxes supplied with 2 closure plugs and ground screw.

• With mounting lugs

* With mounting lugs and French/English retail packaging

Two-gang – 2" deep



	Cat. no.	Hub size (in.)	Colour	Std. ctn.	
Three outlets					
	S400CN	2IH3-2•	¾	Grey	10
		S400CN*	½	Grey	12
Four outlets					
	2IH4-1	2IH4-1•	½	Grey	10
		2IH4-2•	¾	Grey	10


Five outlets

	2IH5-1	2IH5-1•	½	Grey	10
		S401CN*	½	Grey	12
		S402CN*	¾	Grey	12


Five outlets (2-side)

	2IH5S2-1	2IH5S2-1•	½	Grey	10
		2IH5S2-2•	¾	Grey	10

Seven outlets

	2IH7-1	2IH7-1•	½	Grey	10
		2IH7-2•	¾	Grey	10

Seven outlets (2-side)

	2IH7S2-1	2IH7S2-1•	½	Grey	10
		2IH7S2-2•	¾	Grey	10

Note: Raintight when used with appropriate Red Dot covers. Boxes supplied with 2 closure plugs and ground screw.

• With mounting lugs


* With mounting lugs and French/English retail packaging

Red Dot Weatherproof metallic boxes

Universal boxes and covers

Deep boxes – Single- and multi-gang – 2½" deep



	Cat. no.	Hub size (in.)	Colour	Std. ctn.
Three outlets				
	IHD3-1•	½	Grey	10
	IHD3-2•	¾	Grey	10
	IHD3-3•	1	Grey	10


Four outlets

	Cat. no.	Hub size (in.)	Colour	Std. ctn.
	IHD4-1•	½	Grey	10
	IHD4-2•	¾	Grey	10

Two-gang five outlets

	Cat. no.	Hub size (in.)	Colour	Std. ctn.
	2IHD5-1•	½	Grey	5
	2IHD5-2•	¾	Grey	5
	2IHD5-3•	1	Grey	5

Three-gang seven outlets

	Cat. no.	Hub size (in.)	Colour	Std. ctn.
	B37D20G	¾	Grey	5
	B37D30G	1	Grey	5


Note: Raintight when used with appropriate Red Dot covers. Boxes supplied with 2 closure plugs and ground screw.

• With mounting lugs

* With mounting lugs and French/English retail packaging

Close-up plugs – Zinc



	Cat. no.	Hub size (in.)	Colour	Material	Std. ctn.
	PLG-1-RD	½	Grey	Zinc	100
	PLG-2-RD	¾	Grey	Zinc	100
	PLG-3-RD	1	Grey	Zinc	100

Red Dot Weatherproof metallic boxes

Universal boxes and covers

Extensions – Single-gang



Cat. no.	Hub size (in.)	Description	Colour	Std. ctn.
Four outlets – 1 1/4" deep				
S121E-R-CN	S121E-R-CN	1/2 4-hole extension ring for one-gang box with 4 plugs, gasket and screws	Grey	6



Two outlets, flanged – 1 1/4" deep add on

IHEF2-1	IHEF2-1	1/2 2-hole flanged box extension adapter with 1 plug gasket and screws	Grey	5
	IHEF2-2	3/4	Grey	5



Six outlets, flanged – 1 1/4" deep add on

IHEF6S2-1	IHEF6S2-1	1/2 6-hole flanged box extension adapter with 4 plugs, gasket and screws	Grey	5
	IHEF6S2-2	3/4	Grey	5



Mounting lugs



Cat. no.	Description	Colour	Std. ctn.
LM	2 Mounting lugs with self-tapping screws, for LM boxes only	Grey	100

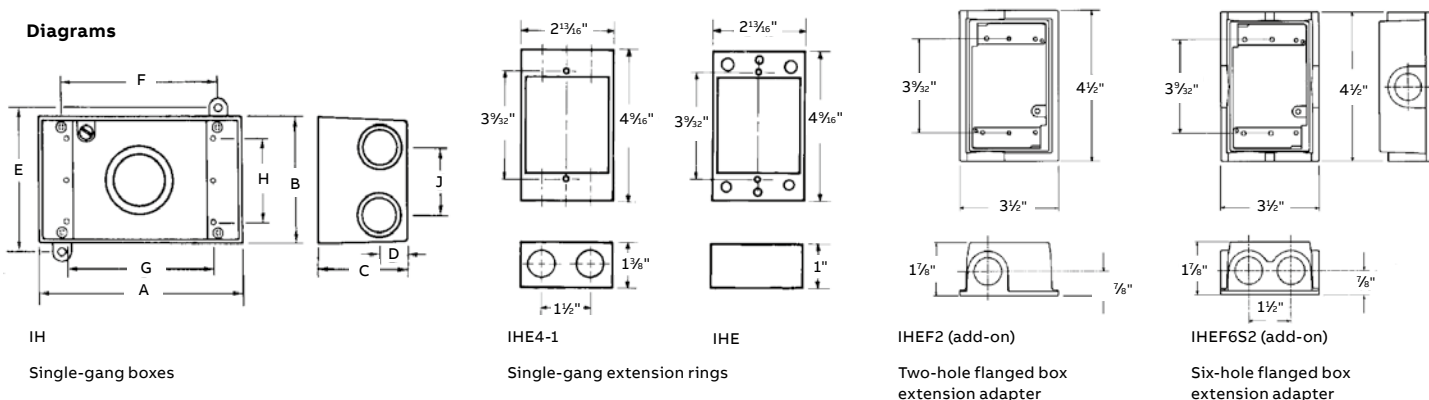


Red Dot Weatherproof metallic boxes

Universal boxes and covers

Cat. no.	Hub size (in.)	Dimensions (in.)									
		A	B	C	D	E	F	G	H	J	CI
IH-1	1/2	4 9/16	2 13/16	2	5/8	-	-	3 1/4	1 1/8	1 1/2	17.3
IH-2	3/4	4 9/16	2 13/16	2	5/8	-	-	3 1/4	1 1/8	1 1/2	17.0
IH-LM-1	1/2	4 9/16	2 13/16	2	5/8	3 13/16	3 1/2	3 1/4	1 1/8	1 1/2	17.3
IH-LM-2	3/4	4 9/16	2 13/16	2	5/8	3 13/16	3 1/2	3 1/4	1 1/8	1 1/2	17.0
IH-S-1	1/2	4 9/16	2 13/16	2	5/8	3 13/16	3 1/2	3 1/4	1 1/8	1 1/2	17.0
IH-S-2	3/4	4 9/16	2 13/16	2	5/8	3 13/16	3 1/2	3 1/4	1 1/8	1 1/2	17.0
IHD3-1	1/2	4 9/16	2 13/16	2 5/8	5/8	3 13/16	3 1/2	3 1/4	1 1/8	1 1/2	24.8
IHD3-2	3/4	4 9/16	2 13/16	2 5/8	5/8	3 13/16	3 1/2	3 1/4	1 1/8	1 1/2	24.8
IHD3-3	1	4 9/16	2 13/16	2 5/8	3/4	3 13/16	3 1/2	3 1/4	1 1/8	1 1/2	23.5

Diagrams



IH
Single-gang boxes

IHE4-1
Single-gang extension rings

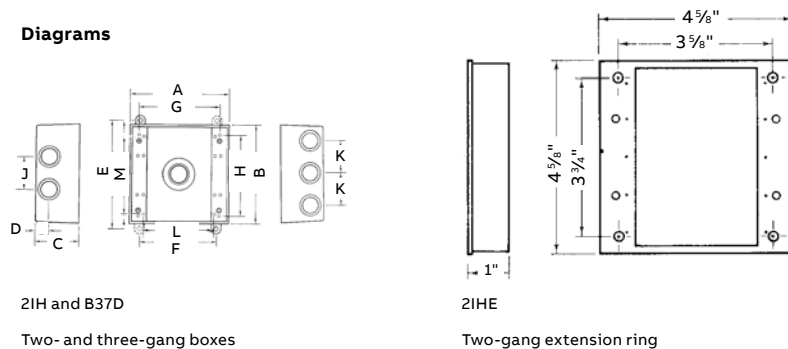
IHE

IHEF2 (add-on)
Two-hole flanged box extension adapter

IHEF6S2 (add-on)
Six-hole flanged box extension adapter

Cat. no.	Dimensions (in.)												
	A	B	C	D	E	F	G	H	J	K	L	M	CI
2IH3	4 9/16	4 5/8	2 1/16	5/8	5	3 1/2	3 17/32	3 3/4	-	-	3 1/4	3 3/16	31.8
2IH4	4 9/16	4 5/8	2 1/16	5/8	5	3 1/2	3 17/32	3 3/4	1 1/2	-	3 1/4	3 3/16	31.8
2IH5	4 9/16	4 5/8	2 1/16	5/8	5	3 1/2	3 17/32	3 3/4	1 1/2	-	3 1/4	3 3/16	31.8
2IH5S2	4 9/16	4 5/8	2 1/16	5/8	5	3 1/2	3 17/32	3 3/4	-	-	3 1/4	3 3/16	31.8
2IH7	4 9/16	4 5/8	2 1/16	5/8	5	3 1/2	3 17/32	3 3/4	-	1 1/2	3 1/4	3 3/16	30.3
2IH7S2	4 9/16	4 5/8	2 1/16	5/8	5	3 1/2	3 17/32	3 3/4	1 1/2	-	3 1/4	3 3/16	32.0
2IHD5	4 9/16	4 5/8	2 17/32	3/4	5	3 1/2	3 17/32	3 3/4	1 3/16	-	3 1/4	3 3/16	40.3
B37D20G	4 9/16	6 7/16	2 11/16	1 3/16	6 13/16	3 1/2	3 3/4	5 5/8	-	1 1/2	3 1/4	3 3/16	54.8
B37D30G	4 9/16	6 7/16	2 11/16	1 3/16	6 13/16	3 1/2	3 3/4	5 5/8	-	1 1/2	3 1/4	3 3/16	54.8

Diagrams



2IH and B37D
Two- and three-gang boxes

2IHE
Two-gang extension ring