

Parallel groove connectors

PAA one- and two-bolt aluminum parallel groove clamps

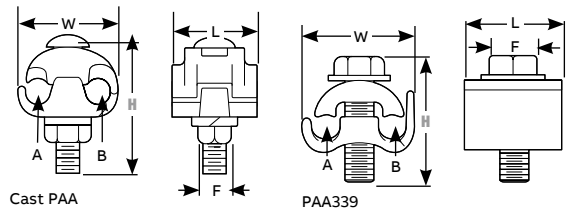


High-strength, heat-treated cast aluminum alloy provides secure connections

- All hardware items come standard
- Use on aluminum, ACSR and copper conductors
- Prevents oxidation on copper-to-aluminum connections

Standard cat. no.	Prefilled cat. no.	Conductor range (AWG or kcmil)				Conductor diameter				Dimensions (in.)				Bolt Size
		A Main		B Tap		Main		Tap		F	L	H	W	
		ACSR	Al/Cu	ACSR	Al/Cu	Max.	Min.	Max.	Min.					
-	PAA29	#2-#6	#2 str.-#6 sol.	#2-#6	#2 str.-#6 sol.	0.316	0.162	0.316	0.162	9/16	1 ¹³ / ₁₆	1 ¹³ / ₃₂	1 ³ / ₈	5/16
-	PAA339	1/0-#6	1/0 str.-#6 sol.	1/0-#6	1/0 str.-#6 sol.	0.398	0.162	0.398	0.162	9/16	1 ⁹ / ₁₆	1 ¹ / ₄	1 ¹ / ₂	3/8
PAA4	PAA49	1/0-#6	1/0 str.-#6 sol.	1/0-#6	1/0 str.-#6 sol.	0.398	0.162	0.398	0.162	9/16	2 ⁷ / ₃₂	1 ³ / ₁₆	1 ¹ / ₂	3/8
PAA5	PAA59	1/0-#8	1/0 str.-#8 sol.	1/0-#8	1/0 str.-#8 sol.	0.398	0.128	0.398	0.128	9/16	2 ⁷ / ₃₂	1 ¹¹ / ₃₂	1 ¹ / ₂	3/8
PAA6	PAA69	1/0-#8	2/0 str.-#8 sol.	1/0-#8	2/0 str.-#8 sol.	0.414	0.128	0.414	0.128	9/16	2 ⁷ / ₃₂	1 ³ / ₈	1 ⁵ / ₈	3/8
PAA10*	PAA109	336.4-1/0, 1/0-#6 AR	400-1/0 str., 1/0-#6 AR	1/0-#8	1/0 str.-#8 sol.	0.741	0.368	0.398	0.128	9/16	2 ¹⁵ / ₃₂	2	1 ³ / ₄	3/8
PAA12	PAA129	4/0-#2	4/0 str.-#2 sol.	4/0-#2	4/0 str.-#2 sol.	0.563	0.258	0.563	0.258	3/4	2 ¹ / ₄	2	2	1/2
PAA400†	PAA4009†	336.4-1/0, 1/0-#6 AR	400-1/0 str., 1/0-#6 AR	336.4-1/0	400-1/0 str.	0.741	0.368	0.741	0.368	3/4	3 ³ / ₄	3 ³ / ₄	2 ¹ / ₂	1/2

Diagrams



* RUS listed. † PAA400 and PAA4009 are two-bolt clamps. AR = Over armor rod.
NOTE: For hex-head bolt option, add "-3" suffix to the catalogue number.

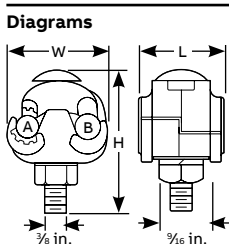
PAC aluminum parallel groove clamps with copper liner



Our most corrosion-resistant groove clamp ever

- Effectively seals out moisture and resists corrosion
- Reduces the possibility of galvanic corrosion

Standard cat. no.	Prefilled cat. no.	Conductor range (AWG or kcmil)			Conductor diameter		Dimensions (in.)		
		ACSR	A Main		Main	Tap	H	W	L
			Al	Copper					
PAC345	PAC3459	1/0-#8	1/0 str.-#8 sol.	1/0 str.-#8 sol.	0.398-0.128	0.373-0.128	2 ⁷ / ₃₂	1 ¹⁷ / ₃₂	1 ¹ / ₄
PAC7*	PAC79	336.4-1/0, 1/0-#6 AR	400-2/0 str., 1/0-#6 AR	1/0 str.-#8 sol.	0.741-0.398	0.373-0.128	2 ¹⁵ / ₃₂	1 ⁵ / ₈	1 ⁷ / ₈



* RUS Listed.
NOTE: For hex-head bolt option, add "-3" suffix to the catalogue number.

Parallel groove connectors

PAE parallel groove clamps, extruded type



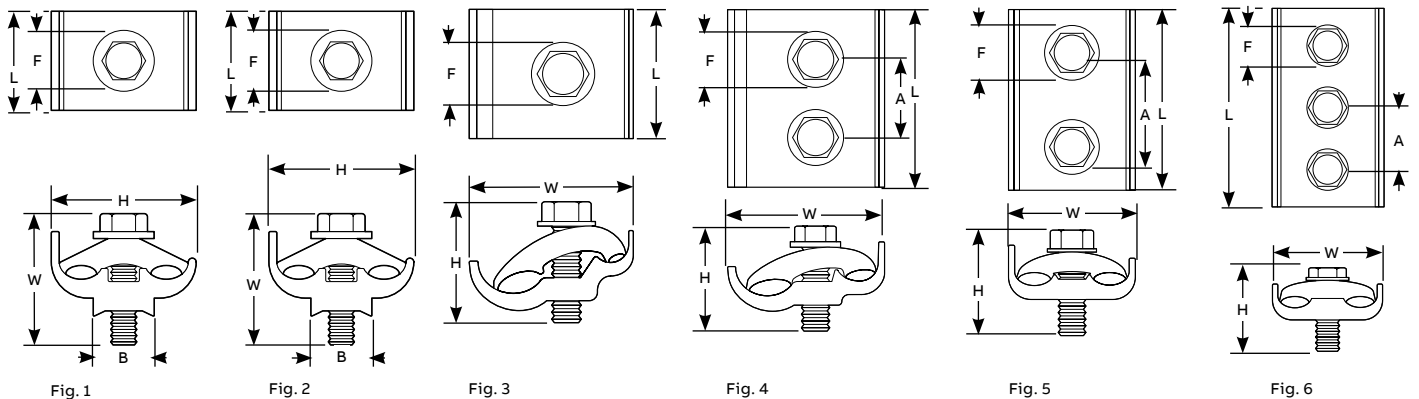
Galvanized steel hardware provides high strength for heavy-duty applications

- Use the tools you already have
- Standard for aluminum-to-copper connections
- Prevents oxidation on copper-to-aluminum connections

Note: For aluminum-hardware option, add "-7" suffix to the catalogue number. For tin-plating option, add "-P" suffix to the catalogue number. For wax-dip option that provides oxide protection for aluminum-to-aluminum connections, add "-6" suffix to the catalogue number.

Cat. No.	Conductor range (AWG or kcmil)		Conductor diameter (in.)				Fig.	Dimensions (in.)						Galvanized steel bolt thd. size	Aluminum bolt thd. size
			Main		Tap			H	W	L	F	B	A		
	Main	Tap	Max.	Min.	Max.	Min.									
PAE-335-79	1/0 str.-#6 sol.	1/0 str.-#6 sol.	0.398	0.162	0.398	0.162	1	1 ¹ / ₁₆	1 ¹ / ₂	1 ¹ / ₄	3 ¹ / ₁₆	-	-	3 ¹ / ₈ -16 UNC	3 ¹ / ₈ -16 UNC
PAE-2121-9*	2/0 ACSR-#6 sol., #6 AR	2/0 ACSR-#6 sol., #6 AR	0.447	0.162	0.447	0.162	1	2	1 ⁵ / ₈	1 ³ / ₈	3 ¹ / ₁₆	7 ¹ / ₈	-	3 ¹ / ₈ -16 UNC	3 ¹ / ₈ -16 UNC
PAE-2121X-79	2/0 ACSR-#6 sol., #6 AR	2/0 ACSR-#6 sol., #6 AR	0.447	0.162	0.447	0.162	1	2	1 ⁵ / ₈	1 ³ / ₈	3 ¹ / ₁₆	7 ¹ / ₈	-	-	3 ¹ / ₈ -16 UNC
PAE-4141-9*	4/0 ACSR-#2 sol., #4-#6 AR	4/0 ACSR-#2 sol., #4-#6 AR	0.563	0.258	0.563	0.258	1	2	2	1 ³ / ₈	3 ¹ / ₁₆	7 ¹ / ₈	-	3 ¹ / ₈ -16 UNC	3 ¹ / ₈ -16 UNC
PAE-3921-9-2	397.5 ACSR-3/0 str., 2/0-#6 AR	2/0 str.-#6 sol., #6 AR	0.743	0.464	0.414	0.162	2	2 ¹ / ₁₆	2 ¹ / ₄	1 ⁵ / ₈	3 ¹ / ₄	1 ¹ / ₈	-	1 ¹ / ₂ -13 UNC	1 ¹ / ₂ -13 UNC
PAE-9941-9	1000-397.5 ACSR, 336.4-2/0 AR	4/0 ACSR-#2 sol., #4-#6 AR	1.152	0.743	0.563	0.258	3	2 ¹³ / ₁₆	2 ⁵ / ₆₄	2 ¹ / ₄	3 ¹ / ₄	-	-	1 ¹ / ₂ -13 UNC	1 ¹ / ₂ -13 UNC
PAE-3931-9-2	397.5 ACSR-3/0 str., 2/0-#6 AR	3/0 ACSR-2 str., #6 AR	0.743	0.464	0.502	0.292	4	2 ¹ / ₁₆	2 ¹ / ₁₆	3 ³ / ₈	3 ¹ / ₄	-	1 ³ / ₄	1 ¹ / ₂ -13 UNC	1 ¹ / ₂ -13 UNC
PAE-3939-9-2	397.5 ACSR-3/0 str., 2/0-#6 AR	397.5 ACSR-3/0 str., 2/0-#6 AR	0.743	0.464	0.743	0.464	5	2 ¹ / ₁₆	2 ¹ / ₁₆	3 ³ / ₈	3 ¹ / ₄	-	1 ⁷ / ₈	1 ¹ / ₂ -13 UNC	5 ¹ / ₈ -11 UNC
PAE-9921-9	1000-397.5 ACSR, 336.4-2/0 AR	2/0 str.-#6 sol., #6 AR	1.152	0.743	0.414	0.162	3	2 ¹³ / ₁₆	2 ³ / ₁₆	2 ¹ / ₄	3 ¹ / ₄	-	-	1 ¹ / ₂ -13 UNC	5 ¹ / ₈ -11 UNC
PAE-9939-9	1000-397.5 ACSR, 336.4-2/0 AR	397.5 ACSR-3/0 str., 2/0-#6 AR	1.152	0.743	0.743	0.464	4	2 ¹³ / ₁₆	3 ⁷ / ₆₄	3 ¹ / ₂	3 ¹ / ₄	-	1 ¹ / ₂	1 ¹ / ₂ -13 UNC	5 ¹ / ₈ -11 UNC
PAE-9999-9	1000-397.5 ACSR, 336.4-2/0 AR	1000-397.5 ACSR, 336.4-2/0 AR	1.152	0.743	1.152	0.743	6	2 ¹³ / ₁₆	3 ¹ / ₂	6	3 ¹ / ₄	-	2	1 ¹ / ₂ -13 UNC	5 ¹ / ₈ -11 UNC

Diagrams



* RUS Listed.

AR = Over armor rod.

Parallel groove connectors

K series jumper clamps



These jumper clamps are sized right for #8 solid copper to 1/0 ACSR or 2/0 copper

- Provides high strength and durability
- Ensures a super-secure fitting
- No need to remove the bolt for installation
- Choose the model that works best with your wiring

Cat. no.	Plated groove			Copper groove
	Max.	Min.	Max.	Min.
K1	1/0 ACSR, #2 SCG amerductor, 7/16 in. galv. Steel strand	#6 ACSR, #12 SCG amerductor, #8 solid iron	2/0 str. copper, 7/16 in. Copperweld*, 2A Copperweld*	#8 solid copper, #9-12D Copperweld*

*Trademark of Copperweld.

NOTE: Plated with plating removed from one groove. For use with aluminum, amerductor or galvanized steel strand to copper or copper-bonded steel wires.

Cat. No.	Both Grooves Plated	
	Max.	Min.
K2	1/0 ACSR, #2 SCG amerductor, 7/16 in. galvanized steel strand	#6 ACSR, #12 SCG amerductor, #8 solid iron

NOTE: Clamp is plated. For use with amerductor, aluminum or galvanized steel stranding.

Cat. No.	Both Grooves Unplated	
	Max.	Min.
K3	2/0 str. copper, 7/16 in. Copperweld*, 2A Copperweld*	#8 solid copper, 9-1/2D Copperweld*

*Trademark of Copperweld.

NOTE: Clamp is not plated. For copper-to-copper connections.

Diagrams

