

Polycarbonate-insulated ring terminals

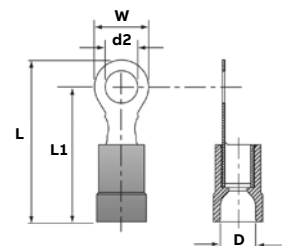


Technical information

Material	Electrolytic copper
Plating	Tin-plated
Marking	Wire size and bolt size stamped on the tongue
Metal barrel	Brazed seam to prevent barrel separation
Insulation	PC = Polycarbonate
Temperature resistance	115 °C / 125 °C
Colour coding of the insulation	According to the wire size
Cable insertion	Easy entry

Cat. no.	Wire size range (mm ²)	Colour	Stud hole size d2	Dimensions (mm)				Wt. (g/100)	Qty. (pieces)	Crimping tool
				W	L	D	L1			
RZ3	0.25–0.75	Green	M3	5.5	18.0	3.2	15.0	36	100	ERG2510
RZ4	0.25–0.75		M4	7.5	21.0	3.2	17.5	45	100	ERG2510
RZ5	0.25–0.75		M5	9.0	22.0	3.2	17.5	51	100	ERG2510
RA3RR	0.5–1.5	Red	M3	5.5	19.0	4.0	16.0	60	100	ERG2001A, WT2124Y
RA4RR	0.5–1.5		M4	7.0	20.5	4.0	17.0	71	100	ERG2001A, WT2124Y
RA5RR	0.5–1.5		M5	9.0	22.5	4.0	18.0	79	100	ERG2001A, WT2124Y
RA6RR	0.5–1.5		M6	11.0	26.5	4.0	21.0	96	100	ERG2001A, WT2124Y
RB3	1.5–2.5	Blue	M3	5.5	19.0	4.5	16.0	75	100	ERG2001A, WT2124Y
RB4-EU	1.5–2.5		M4	7.0	20.5	4.5	17.0	92	100	ERG2001A, WT2124Y
RB5	1.5–2.5		M5	9.0	22.5	4.5	18.0	96	100	ERG2001A, WT2124Y
RB6	1.5–2.5		M6	11.0	26.5	4.5	21.0	117	100	ERG2001A, WT2124Y
RB8	1.5–2.5		M8	14.0	27.5	4.5	21.0	141	100	ERG2001A, WT2124Y
RC4	4.0–6.0	Yellow	M4	8.0	24.0	6.4	20.5	158	100	ERG2001A, WT2124Y
RC5	4.0–6.0		M5	9.0	25.0	6.4	20.5	166	100	ERG2001A, WT2124Y
RC6-EU	4.0–6.0		M6	11.0	28.5	6.4	23.0	179	100	ERG2001A, WT2124Y
RC8	4.0–6.0		M8	14.0	31.0	6.4	24.0	220	100	ERG2001A, WT2124Y
RC10E	4.0–6.0		M10	17.0	34.0	6.4	25.5	245	100	ERG2001A, WT2124Y

Diagram



Polycarbonate-insulated fork terminals

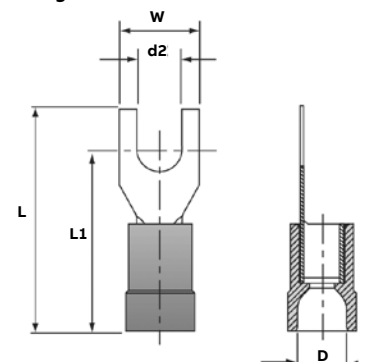


Technical information

Material	Electrolytic copper
Plating	Tin-plated
Marking	Wire size and bolt size stamped on the tongue
Metal barrel	Brazed seam to prevent barrel separation
Insulation	PC = Polycarbonate
Temperature resistance	115 °C / 125 °C
Colour coding of the insulation	According to the wire size
Cable insertion	Easy entry

Cat. no.	Wire size range (mm ²)	Colour	Stud hole size d2	Dimensions (mm)				Wt. (g/100)	Qty. (pieces)	Crimping tool
				W	L	D	L1			
RZ3F	0.25–0.75	Green	M3	5.5	18.0	3.2	15.0	41	100	ERG2510
RZ4F	0.25–0.75	Green	M4	7.5	21.0	3.2	17.5	41	100	ERG2510
RA35F	0.5–1.5	Red	M3.5	5.5	21.0	4.0	17.5	62	100	ERG2001A, WT2124Y
RA4F	0.5–1.5	Red	M4	7.0	20.5	4.0	17.0	64	100	ERG2001A, WT2124Y
RA5F	0.5–1.5	Red	M5	9.0	22.5	4.0	18.0	75	100	ERG2001A, WT2124Y
RA6F	0.5–1.5	Red	M6	11.0	26.5	4.0	21.0	90	100	ERG2001A, WT2124Y
RB3F	1.5–2.5	Blue	M3	5.5	19.0	4.5	16.0	72	100	ERG2001A, WT2124Y
RB4F	1.5–2.5	Blue	M4	7.0	20.5	4.5	17.0	84	100	ERG2001A, WT2124Y
RB5F	1.5–2.5	Blue	M5	9.0	22.5	4.5	18.0	96	100	ERG2001A, WT2124Y
RB6F	1.5–2.5	Blue	M6	11.0	26.5	4.5	21.0	113	100	ERG2001A, WT2124Y
RC4F	4.0–6.0	Yellow	M4	8.0	24.0	6.4	20.5	159	100	ERG2001A, WT2124Y
RC5F	4.0–6.0	Yellow	M5	9.0	25.0	6.4	20.5	161	100	ERG2001A, WT2124Y
RC6F	4.0–6.0	Yellow	M6	11.0	28.5	6.4	23.0	174	100	ERG2001A, WT2124Y
RC8F	4.0–6.0	Yellow	M8	14.0	31.0	6.4	24.0	207	100	ERG2001A, WT2124Y
RC10F	4.0–6.0	Yellow	M10	18.0	36.0	6.4	27.0	280	100	ERG2001A, WT2124Y

Diagram



Vinyl-insulated ring terminals DIN 46237

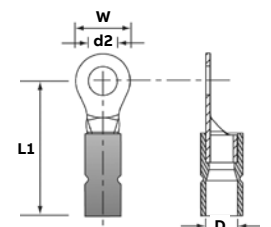


Technical information

Material	Copper
Plating	Tin-plated
Marking	Wire size and bolt size stamped on the tongue
Metal barrel	Brazed seam to prevent barrel separation
Insulation	PVC = Polyvinylchloride (vinyl) Ideal for harsh environments, provides excellent chemical, impact and abrasion resistance
Max. electrical rating	75 °C 600 Volts max.
Colour coding of the insulation	According to the wire size

Cat. no.	Wire size range (mm ²)	Colour	Stud hole size d2	Dimensions (mm)			Wt. (g/100)	Qty. (pieces)	Crimping tool
				W	L1	D			
VB-3RR	0.5–1.5	Red	M3	6.0	17.2	4.0	68	100	ERG2001A, WT2124Y
VB-35RR	0.5–1.5		M3.5	6.0	17.2	4.0	69	100	ERG2001A, WT2124Y
VB-4RR	0.5–1.5		M4	8.0	18.2	4.0	73	100	ERG2001A, WT2124Y
VB-5RR	0.5–1.5		M5	10.0	19.2	4.0	92	100	ERG2001A, WT2124Y
VB-6RR	0.5–1.5		M6	10.0	19.2	4.0	87	100	ERG2001A, WT2124Y
VB-8RR	0.5–1.5		M8	14.0	23.2	4.0	139	100	ERG2001A, WT2124Y
VB-10RR	0.5–1.5		M10	14.0	23.2	4.0	100	100	ERG2001A, WT2124Y
VB-3BR	1.5–2.5	Blue	M3	6.0	17.5	4.5	80	100	ERG2001A, WT2124Y
VB-35BR	1.5–2.5		M3.5	6.0	17.5	4.5	94	100	ERG2001A, WT2124Y
VB-4BR	1.5–2.5		M4	8.0	18.5	4.5	83	100	ERG2001A, WT2124Y
VB-5BR	1.5–2.5		M5	10.0	20.5	4.5	110	100	ERG2001A, WT2124Y
VB-6BR	1.5–2.5		M6	11.0	22.5	4.5	122	100	ERG2001A, WT2124Y
VB-8BR	1.5–2.5		M8	14.0	23.5	4.5	146	100	ERG2001A, WT2124Y
VB-10BR	1.5–2.5		M10	15.0	23.5	4.5	204	100	ERG2001A, WT2124Y
VB-4YR	4.0–6.0	Yellow	M4	8.0	22.1	6.3	167	100	ERG2001A, WT2124Y
VB-5YR	4.0–6.0		M5	10.0	23.1	6.3	196	100	ERG2001A, WT2124Y
VB-6YR	4.0–6.0		M6	11.0	24.1	6.3	195	100	ERG2001A, WT2124Y
VB-8YR	4.0–6.0		M8	14.0	27.1	6.3	250	100	ERG2001A, WT2124Y
VB-10YR	4.0–6.0		M10	18.0	29.1	6.3	305	100	ERG2001A, WT2124Y

Diagram



Nylon-insulated ring terminals DIN 46237

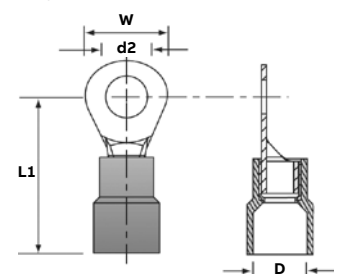


Technical information

Material	Copper
Plating	Tin-plated
Marking	Wire size and bolt size stamped on the tongue
Metal barrel	Brazed seam to prevent barrel separation
Insulation	PA = Polyamide Ideal for harsh environments, provides excellent chemical, impact and abrasion resistance
Temperature resistance	85 °C / 105 °C
Colour coding of the insulation	According to the wire size

Cat. no.	Wire size range (mm ²)	Colour	Stud hole size d2	Dimensions (mm)			Wt. (g/100)	Qty. (pieces)	Crimping tool
				W	L1	D			
TRA3	0.5–1.5	Red	M3	5.5	17.5	4.0	70	100	ERG2001A, WT2124Y
TRA35	0.5–1.5		M3.5	6.6	20.4	4.0	67	100	ERG2001A, WT2124Y
TRA4	0.5–1.5		M4	8.0	21.8	4.0	76	100	ERG2001A, WT2124Y
TRA5	0.5–1.5		M5	8.0	21.8	4.0	79	100	ERG2001A, WT2124Y
TRA6	0.5–1.5		M6	11.6	27.5	4.0	108	100	ERG2001A, WT2124Y
TRA8	0.5–1.5		M8	11.6	27.5	4.0	134	100	ERG2001A, WT2124Y
TRB3	1.5–2.5	Blue	M3	6.0	20.6	4.5	79	100	ERG2001A, WT2124Y
TRB35	1.5–2.5		M3.5	8.5	23.0	4.5	76	100	ERG2001A, WT2124Y
TRB4	1.5–2.5		M4	8.5	23.0	4.5	79	100	ERG2001A, WT2124Y
TRB5	1.5–2.5		M5	9.5	22.9	4.5	89	100	ERG2001A, WT2124Y
TRB6	1.5–2.5		M6	12.0	28.0	4.5	117	100	ERG2001A, WT2124Y
TRB8	1.5–2.5		M8	12.0	28.0	4.5	148	100	ERG2001A, WT2124Y
TRB10	1.5–2.5	M10	13.6	31.7	4.5	204	100	ERG2001A, WT2124Y	
TRC4-EU	4.0–6.0	Yellow	M4	7.4	26.7	6.4	158	100	ERG2001A, WT2124Y
TRC5-EU	4.0–6.0		M5	9.5	26.7	6.4	175	100	ERG2001A, WT2124Y
TRC6-EU	4.0–6.0		M6	12.0	32.7	6.4	187	100	ERG2001A, WT2124Y
TRC8	4.0–6.0		M8	15.0	34.9	6.4	230	100	ERG2001A, WT2124Y
TRC10	4.0–6.0		M10	15.0	34.9	6.4	296	100	ERG2001A, WT2124Y

Diagram



Nylon-insulated fork terminals DIN 46237

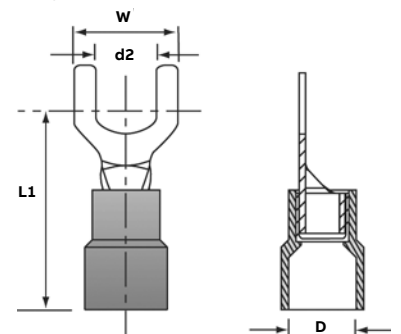


Technical information

Material	Copper
Plating	Tin-plated
Marking	Wire size and bolt size stamped on the tongue
Metal barrel	Brazed seam to prevent barrel separation
Insulation	PA = Polyamide Ideal for harsh environments, provides excellent chemical, impact and abrasion resistance
Temperature resistance	85 °C / 105 °C
Colour coding of the insulation	According to the wire size
Cable insertion	Easy entry

Cat. no.	Wire size range (mm ²)	Colour	Stud hole size d2	Dimensions (mm)			Wt. (g/100)	Qty. (pieces)	Crimping tool
				W	L1	D			
TRA3F	0.5–1.5	Red	M3	5.7	22.0	4.0	65	100	ERG2001A, WT2124Y
TRA35F	0.5–1.5		M3.5	6.2	22.0	4.0	62	100	ERG2001A, WT2124Y
TRA4F	0.5–1.5		M4	7.2	22.0	4.0	70	100	ERG2001A, WT2124Y
TRA5F	0.5–1.5		M5	8.0	22.0	4.0	92	100	ERG2001A, WT2124Y
TRA6F	0.5–1.5		M6	10.8	23.0	4.0	102	100	ERG2001A, WT2124Y
TRB3F	1.5–2.5	Blue	M3	5.7	22.2	4.5	81	100	ERG2001A, WT2124Y
TRB35F	1.5–2.5		M3.5	6.2	22.2	4.5	74	100	ERG2001A, WT2124Y
TRB4F	1.5–2.5		M4	7.2	22.2	4.5	80	100	ERG2001A, WT2124Y
TRB5F	1.5–2.5		M5	8.0	22.2	4.5	110	100	ERG2001A, WT2124Y
TRB6F	1.5–2.5		M6	10.8	23.5	4.5	122	100	ERG2001A, WT2124Y
TRC4F	4.0–6.0	Yellow	M4	8.2	26.7	6.4	163	100	ERG2001A, WT2124Y
TRC5F	4.0–6.0		M5	9.0	26.7	6.4	182	100	ERG2001A, WT2124Y
TRC6F	4.0–6.0		M6	12.0	30.3	6.4	190	100	ERG2001A, WT2124Y

Diagram



Vinyl-insulated fork terminals DIN 46237

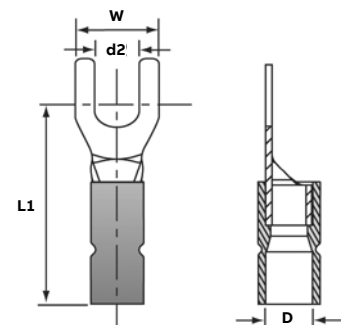


Technical information

Material	Copper
Plating	Tin-plated
Marking	Wire size and bolt size stamped on the tongue
Metal barrel	Brazed seam to prevent barrel separation
Insulation	PVC = Polyvinylchloride (vinyl)
Max. electrical rating	75 °C 600 Volts
Colour coding of the insulation	According to the wire size
Cable insertion	Easy entry

Cat. no.	Wire size range (mm ²)	Colour	Stud hole size d2	Dimensions (mm)			Wt. (g/100)	Qty. (pieces)	Crimping Tool
				W	L1	D			
VB-4RF	0.5-1.5	Red	M4	6.8	18.2	4.0	73	100	ERG2001A
VB-5RF	0.5-1.5		M5	10.0	19.2	4.0	92	100	ERG2001A
VB-6RF	0.5-1.5		M6	11.0	21.2	4.0	103	100	ERG2001A
VB-3BF	1.5-2.5	Blue	M3	5.5	19.5	4.5	90	100	ERG2001A
VB-35BF	1.5-2.5		M3.5	6.0	17.5	4.5	97	100	ERG2001A
VB-4BF	1.5-2.5		M4	6.8	19.2	4.5	83	100	ERG2001A
VB-5BF	1.5-2.5		M5	10.0	20.5	4.5	110	100	ERG2001A
VB-6BF	1.5-2.5	M6	11.0	22.5	4.5	121	100	ERG2001A	
VB-4YF	2.5-6.0	Yellow	M4	8.0	22.1	6.3	169	100	ERG2001A
VB-5YF	2.5-6.0		M5	10.0	23.1	6.3	189	100	ERG2001A
VB-6YF	2.5-6.0		M6	11.0	24.1	6.3	200	100	ERG2001A
VB-8YF	2.5-6.0		M8	14.0	27.1	6.3	235	100	ERG2001A
VB-10YF	2.5-6.0		M10	18.0	29.1	6.3	305	100	ERG2001A

Diagram



Polycarbonate-insulated pin terminals



Technical information

Material	Electrolytic copper
Plating	Tin-plated
Metal barrel	Brazed seam to prevent barrel separation
Insulation	PC = Polycarbonate
Temperature resistance	115 °C / 125 °C
Colour coding of the insulation	According to the wire size
Cable insertion	Easy entry

Cat. no.	Wire size range (mm ²)	Colour	Dimensions (mm)				Wt. (g/100)	Qty. (pieces)	Crimping tool
			L	F	B	D			
RZP	0.25–0.75	Green	22.0	12.0	1.8	3.2	47	100	ERG2510
RAP	0.5–1.5	Red	22.0	12.0	1.9	4.0	67	100	ERG2001A, WT2124Y
RBP	1.5–2.5	Blue	22.0	12.0	1.9	4.5	80	100	ERG2001A, WT2124Y
RCP	4.0–6.0	Yellow	27.0	14.0	2.8	6.4	175	100	ERG2001A, WT2124Y

Diagram

